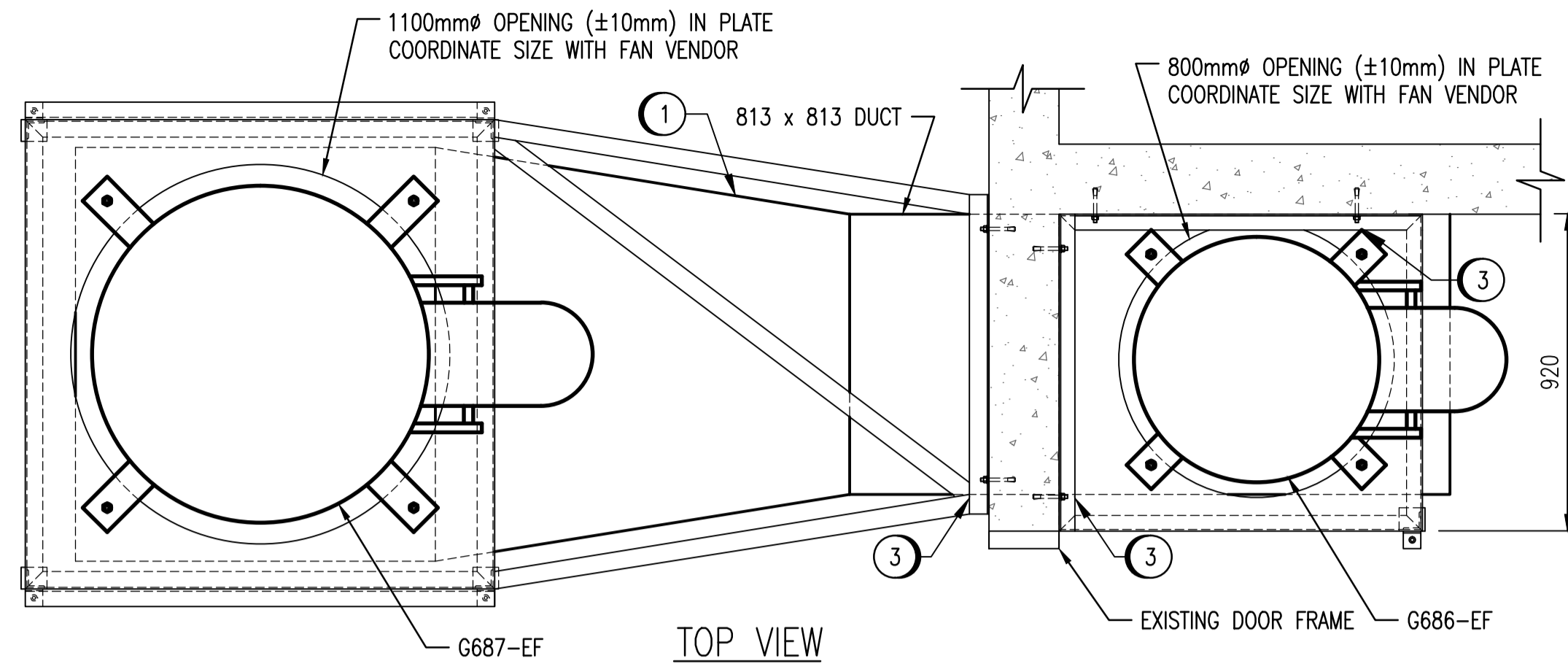
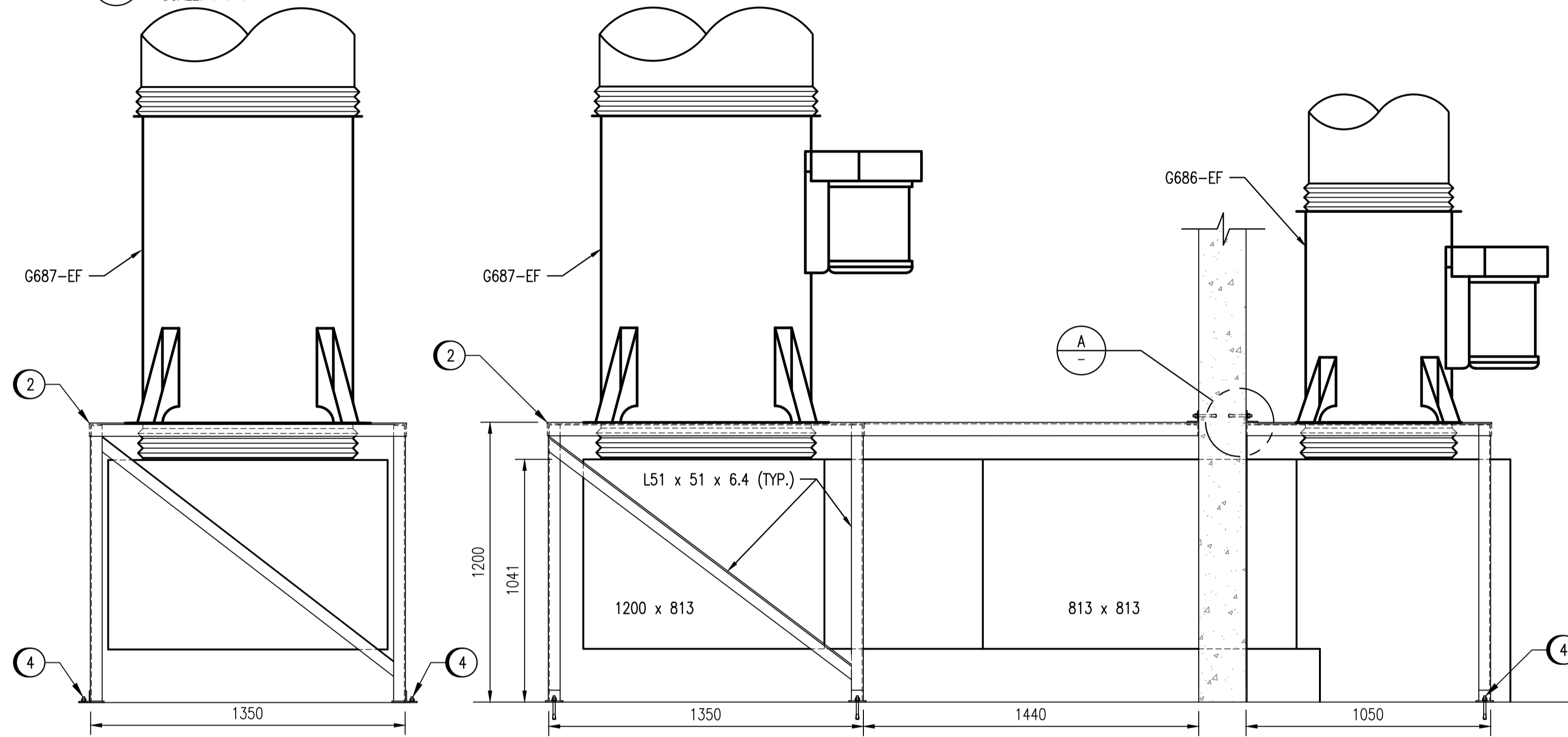


WALL CONNECTION DETAIL
SCALE: 1 : 4

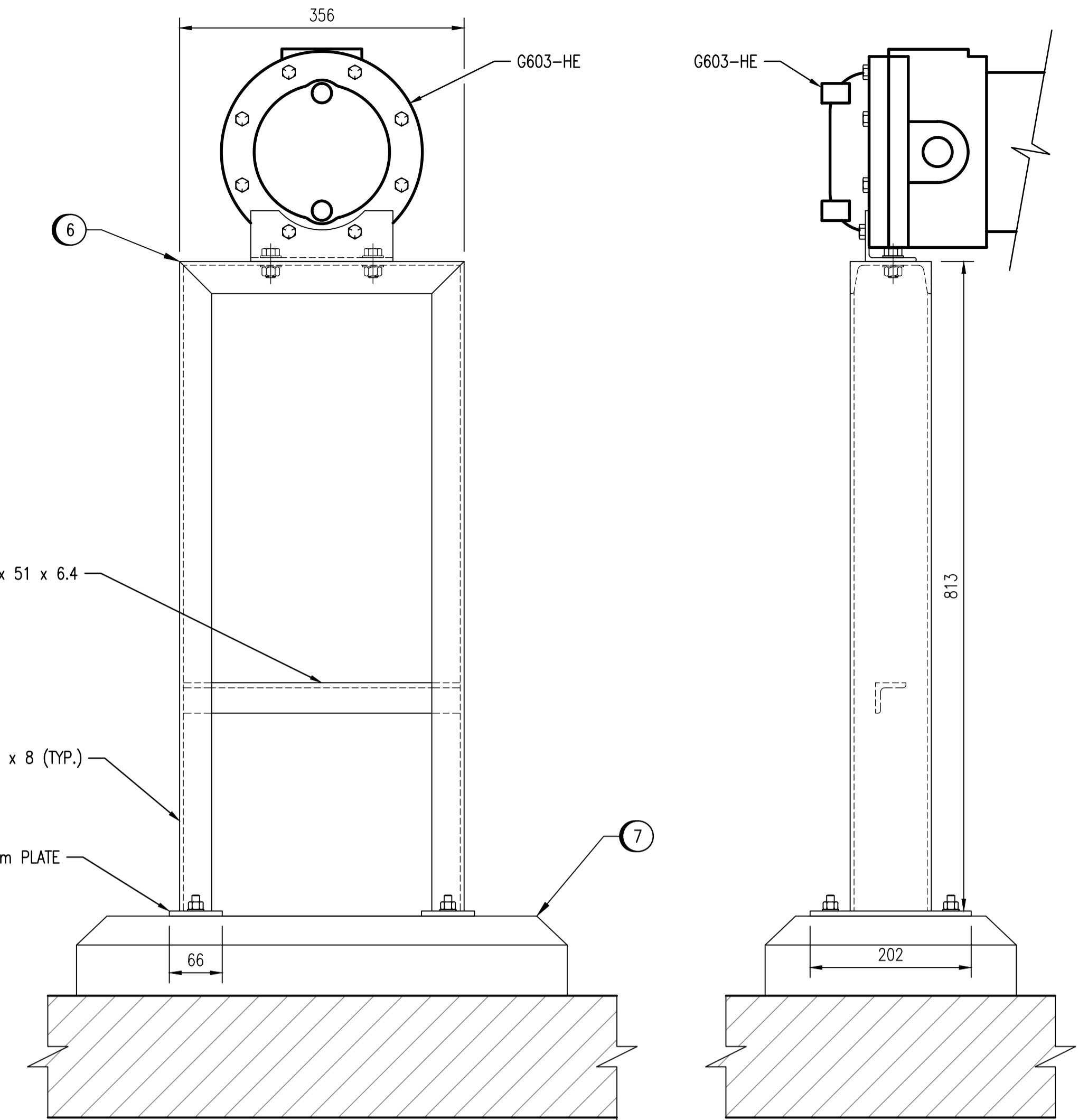


TOP VIEW



SIDE VIEW

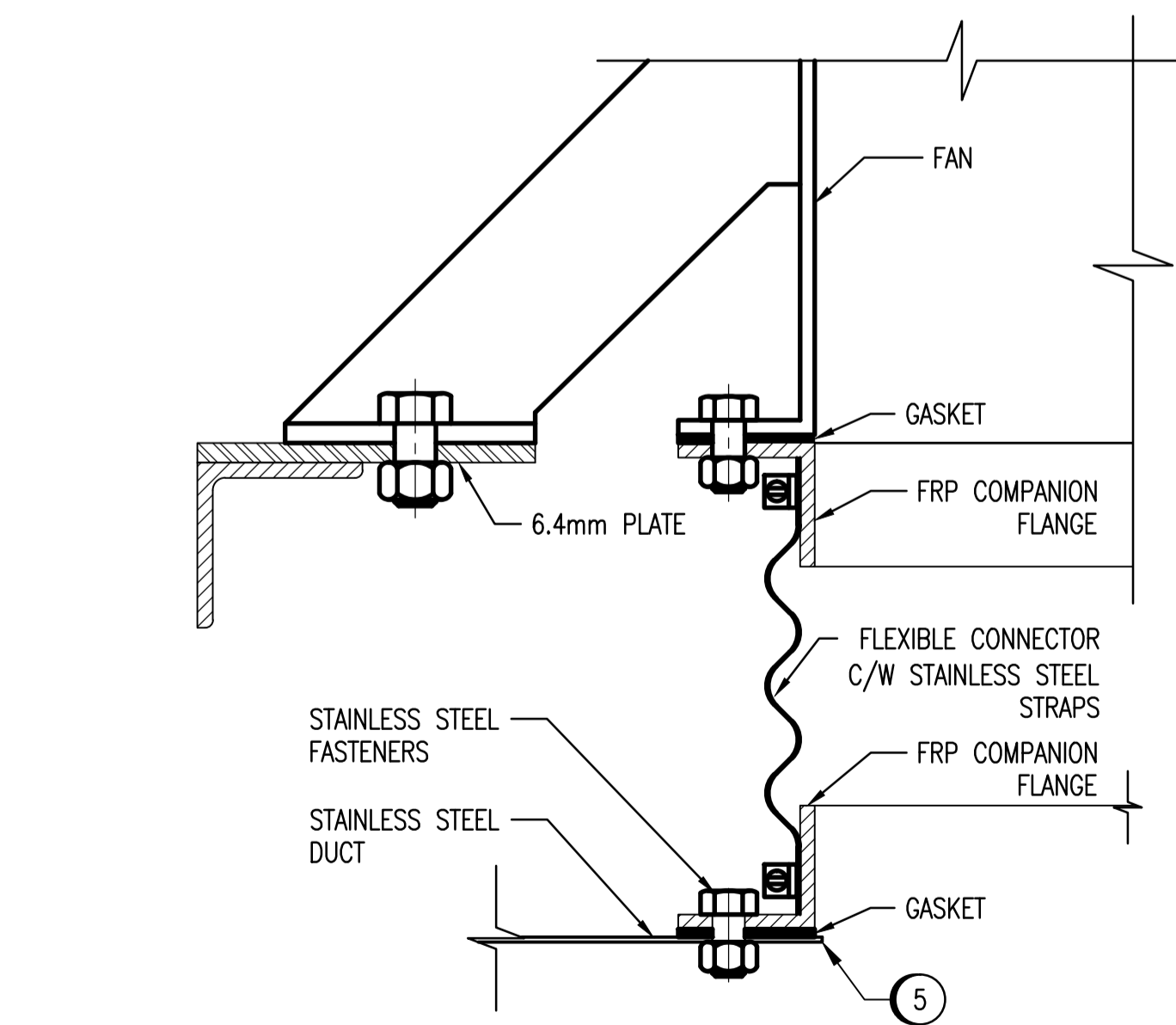
FRONT VIEW
FAN SUPPORT DETAIL
SCALE: 1 : 16



FRONT VIEW

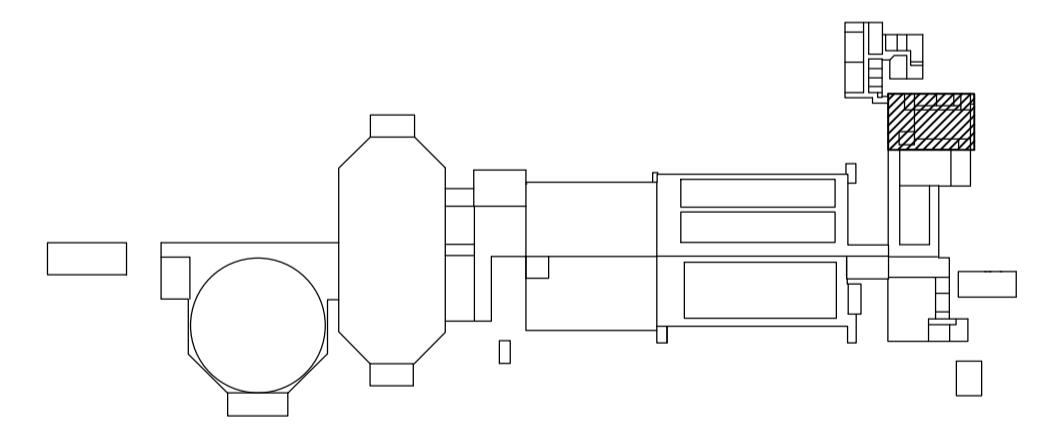
SIDE VIEW

G603-HE SUPPORT DETAIL
SCALE: 1 : 5



TYPICAL FAN CONNECTION DETAIL
SCALE: 1 : 2

NO.	CONSTRUCTION NOTES
1	SUPPLY AND INSTALL STAINLESS STEEL EXHAUST DUCT ALSO SHOWN ON DRAWING 1-0102G-M0008.
2	SUPPLY AND INSTALL METALS STAND TO SUIT FANS AND EXISTING SITE CONDITIONS AS SHOWN: -ANGLE: L51 x 51 x 6.4 STEEL -PLATE: 6.4 MM STEEL. OPENINGS CUT TO SUIT FAN. -FRP COMPANION FLANGES: BY FAN VENDOR -WELDS: 6.4 MM FILET WELDS ALL AROUND AT ALL CONNECTION POINTS -WELDING DONE IN ACCORDANCE TO CSA W59-03 (R2008) -WELDERS CERTIFIED TO CSA W47.1-09 -GASKETS: NEOPRENE -PAINT: FORMULA 2
3	WELD L51x51x6.4 TO TOP OF STAND TO ALLOW METAL STAND TO BE SECURED TO THE EXISTING WALL USING 9.5 MM HILTI HLC SLEEVE ANCHORS.
4	SECURE METAL STAND TO FLOOR USING 9.5 MM HILTI KWI BOLT 3 EXPANSION ANCHORS.
5	CUT OPENING IN DUCT TO SUIT ANGLE FLANGE.
6	SUPPLY AND INSTALL TWO (2) STANDS AS SHOWN FOR G603-HE SHELL AND TUBE HEAT EXCHANGER: -CHANNEL: C100X8 STEEL -PLATE: 6.4 MM STEEL -ANGLE FLANGES: L51 x 51 x 6.4 STEEL -WELDS: 6.4 MM FILET WELDS ALL AROUND AT ALL CONNECTION POINTS -WELDING DONE IN ACCORDANCE TO CSA W59-03 (R2008) -WELDERS CERTIFIED TO CSA W47.1-09 -PAINT: FORMULA 2
7	SUPPLY AND INSTALL HOUSEKEEPING PADS AS SHOWN. SECURE STANDS TO HOUSEKEEPING PADS USING 9.5 MM HILTI KWI BOLT 3 EXPANSION ANCHORS.



KEYPLAN
SCALE: NTS

NO.	REVISIONS	DATE	DESIGN	CHECK
01	ISSUED FOR TENDER, BID OPP. 42-2013	2013/03/25	TRS	SN
00	ISSUED FOR TENDER, BID OPP. 545-2012	2012/09/10	TRS	SN

 SNC-LAVALIN INC. 148 Nature Park Way Winnipeg, MB, Canada R3P 0X7 204-786-8080	
DESIGNED BY: T. SCHICK	CHECKED BY: S. NORSWORTHY
DRAWN BY: C. COOPER	APPROVED BY: C. REIMER
SCALE: AS NOTED	RELEASED FOR CONSTRUCTION BY: NEIL HARRINGTON
DATE: 2012/05/31	DATE: 2012/10/10
CONSULTANT NO.: 112577-0116-45DD-0113	

ENGINEER'S SEAL

ORIGINAL DRAWING SEALED BY:
S. S. NORSWORTHY
SNC-LAVALIN
MEMBER #20725
2012/11/26
REV. 00

THE CITY OF WINNIPEG
WATER AND WASTE DEPARTMENT

SOUTH END WATER POLLUTION CONTROL CENTRE
VENTILATION & MISC. UPGRADES
INSTALLATION DETAILS
WET WELL VENTILATION

CITY DRAWING NUMBER
1-0102G-M0013

SHEET
001

REV.
01

SIZE
A1