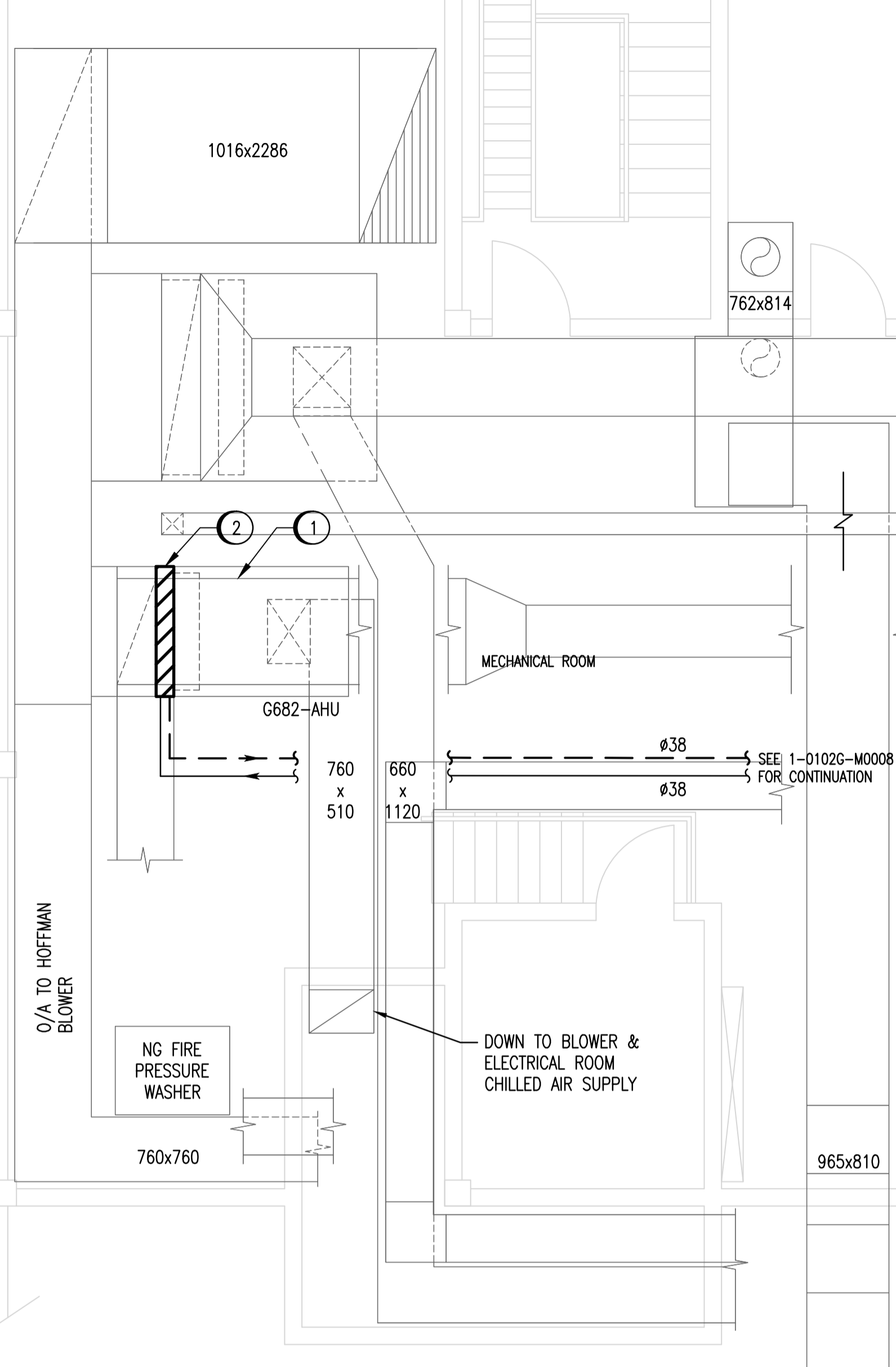


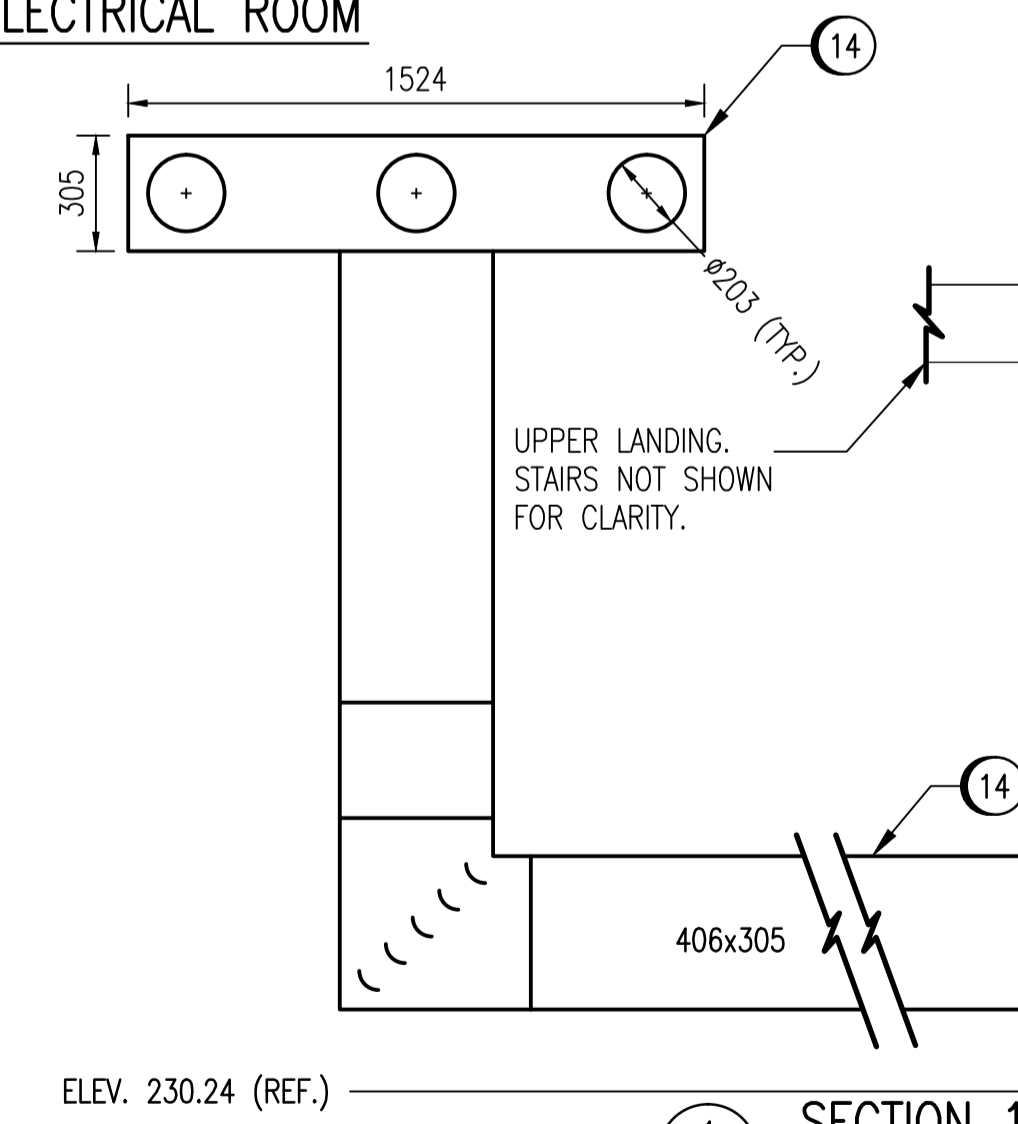
**GRIT AREA BLOWER ROOM & ELECTRICAL ROOM**  
SCALE: 1 : 50



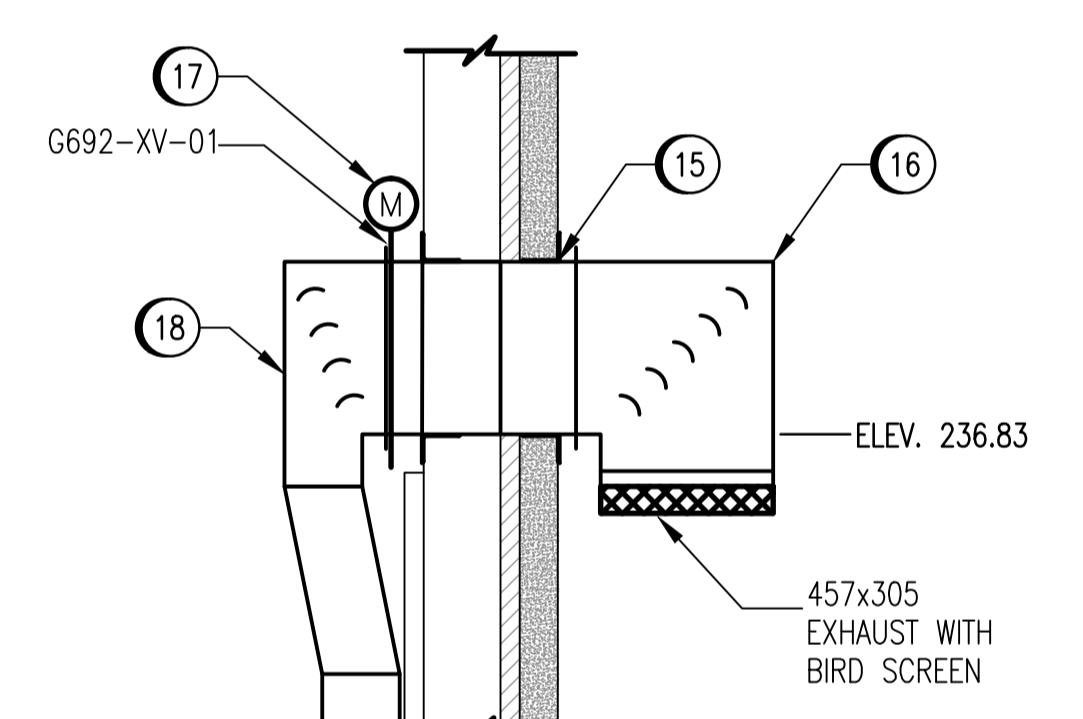
**DRYWELL MECHANICAL ROOM**  
SCALE: 1 : 50

NO.	CONSTRUCTION NOTES
1	REBALANCE CONTROL DAMPERS TO ENSURE A MINIMUM OF 820 L/S (36% OA OR 6 ACH) OF OUTDOOR AIR IS PROVIDED TO ELECTRICAL ROOM G116.
2	SUPPLY AND INSTALL NEW HEATING COIL C/W CONTROLS AND DISCHARGE AIR TEMPERATURE SENSOR. COIL SHALL MAINTAIN DISCHARGE AIR TEMPERATURE OF 18°C. REMOVAL OF EXISTING FACE AND BYPASS DAMPER, PNEUMATIC ACTUATORS, AND ASSOCIATED HARDWARE SHOWN ON DRAWING 1-0102G-A0026.
3	RE-BALANCE SUPPLY-AIR GRILLES.
4	REMOVE AND DISCARD EXISTING GRILLE. SUPPLY AND INSTALL NEW GRILLE ON SIDE OF EXISTING DUCT.
5	SUPPLY AND INSTALL NEW FIRE DAMPER.
6	SUPPLY AND INSTALL NEW DUCTWORK. MOUNT AS CLOSE TO THE CEILING AS POSSIBLE.
7	INSTALL VERTICAL DUCT ONCE CLEAR OF LOWER CEILING. RUN REMAINING DUCT AT A HEIGHT THAT ALLOWS A LEVEL TRANSITION TO EXISTING DUCTWORK.
8	INSULATION TO REMAIN IN PLACE.
9	SUPPLY AND INSTALL NEW EXHAUST FAN.

NO.	CONSTRUCTION NOTES
10	CORE THREE (3) 203mm HOLES. CONTRACTOR TO CONFIRM THAT DIAMETER OF HOLES WILL BE SUFFICIENT TO ACCOMMODATE THE OD OF THE FIRES DAMPERS TO BE INSTALLED IN THE HOLES. CONTRACTOR TO LOCATE CONCRETE REINFORCING AND ADJUST SPACING OF HOLES AS REQUIRED TO AVOID REINFORCING. CONSULT ENGINEER FOR FURTHER DIRECTION IF REINFORCING IS UNAVOIDABLE.
11	SUPPLY AND INSTALL THREE NEW FIRE DAMPERS.
12	SUPPLY AND INSTALL NEW 100mm DEEP DUCT SIZED TO COVER HOLES AND ACCOMMODATE NEW GRILLE.
13	SUPPLY AND INSTALL NEW 1016x250 GRILLE.
14	SUPPLY AND INSTALL NEW DUCTING. ADJUST SIZE OF DUCT TO ACCOMMODATE THE SPACING OF THE CORED HOLES.
15	MAKE WALL PENETRATION AS SHOWN ON STRUCTURAL DRAWING 1-0102G-S0017.
16	SUPPLY AND INSTALL GALVANIZED STEEL WEATHER HOOD C/W BIRD SCREEN. PAINT USING FORMULA 6.
17	SUPPLY AND INSTALL NEW MOTORIZED DAMPER.
18	SUPPLY AND INSTALL DUCTING. DUCT TO PASS BETWEEN STAIR STRINGER AND WALL.

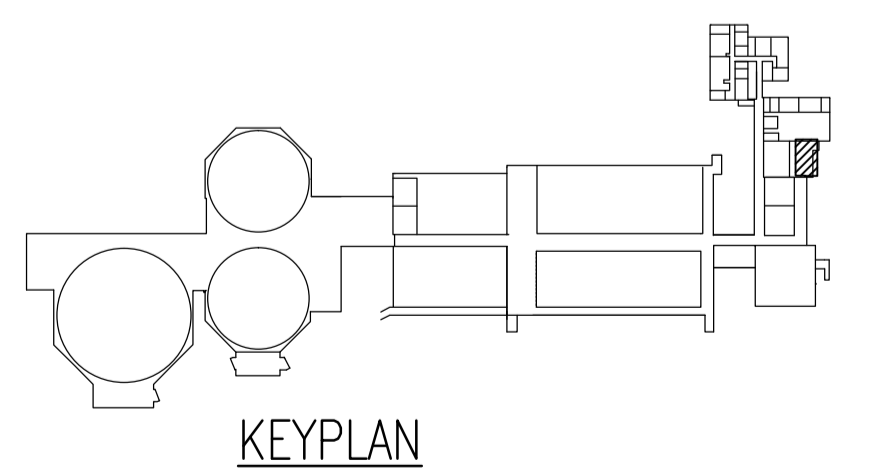
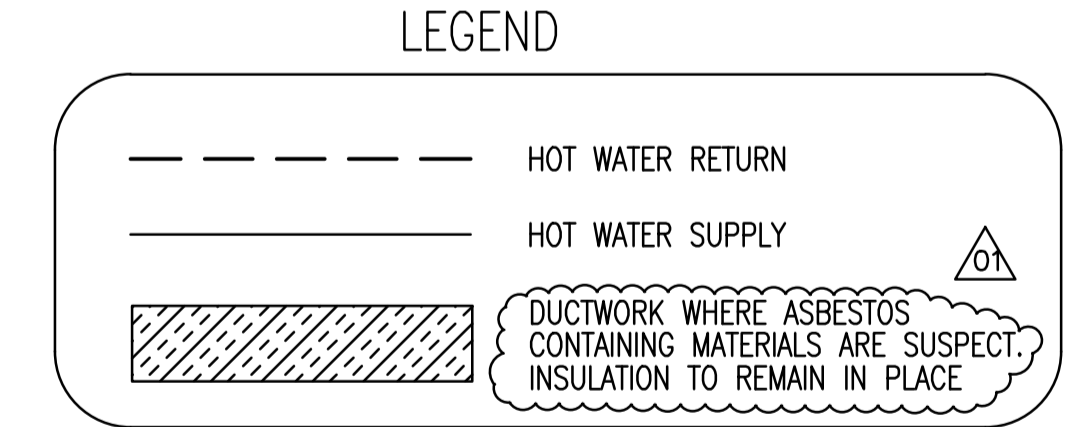


**SECTION 1**  
SCALE: 1 : 20



**FIRE DAMPER SCHEDULE**

TAG	DUCT SIZE (MM)	ORIENTATION	STATUS
G115-FD-01	762X610	VERTICAL	NEW
G115-FD-02	406X457	VERTICAL	NEW, TYPE A
G115-FD-03	406X457	VERTICAL	NEW, TYPE A
G116-FD-01	450X450	VERTICAL	EXISTING
G116-FD-02	200Ø	ROUND	NEW
G116-FD-03	200Ø	ROUND	NEW
G116-FD-04	200Ø	ROUND	NEW
G116-FD-05	305X1016	VERTICAL	NEW, TYPE A



**KEYPLAN**

LAST SAVE: 2013/03/28 - 10:02am  
 PATH: M:\112577\0116\4ENG\45MEC\LD - General DWG\1-0102G-M0012-001-01.dwg



NO.	REVISIONS	DATE	DESIGN	CHECK
01	ASBESTOS ABATEMENT REMOVED, BID OPP. 42-2013	2013/03/25	TRS	SN
00	ISSUED FOR TENDER, BID OPP. 545-2012	2012/09/10	TRS	SN

<b>SNC-LAVALIN</b> 148 Nature Park Way Winnipeg, MB, Canada R3P 0X7 204-786-8080	
DESIGNED BY: S. NORSWORTHY	CHECKED BY: S. NORSWORTHY
DRAWN BY: S. COATES	APPROVED BY: C. REIMER
SCALE: AS NOTED	RELEASED FOR CONSTRUCTION BY: NEIL HARRINGTON
DATE: 2012/01/20	DATE: 2012/10/10
CONSULTANT NO.: 112577-0116-450D-0112	

ORIGINAL DRAWING  
 SEALED BY:  
 S. S. NORSWORTHY  
 SNC-LAVALIN  
 MEMBER #20725  
 2012/10/24  
 REV. 00

**THE CITY OF WINNIPEG**  
 WATER AND WASTE DEPARTMENT  
 SOUTH END WATER POLLUTION CONTROL CENTRE  
 VENTILATION & MISC. UPGRADES  
 HVAC PLAN LAYOUT  
 GRIT BUILDING BLOWER AND ELECTRICAL ROOMS

CITY DRAWING NUMBER: **1-0102G-M0012**    SHEET: **001**    REV: **01**    SIZE: **A1**