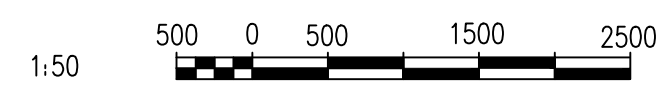
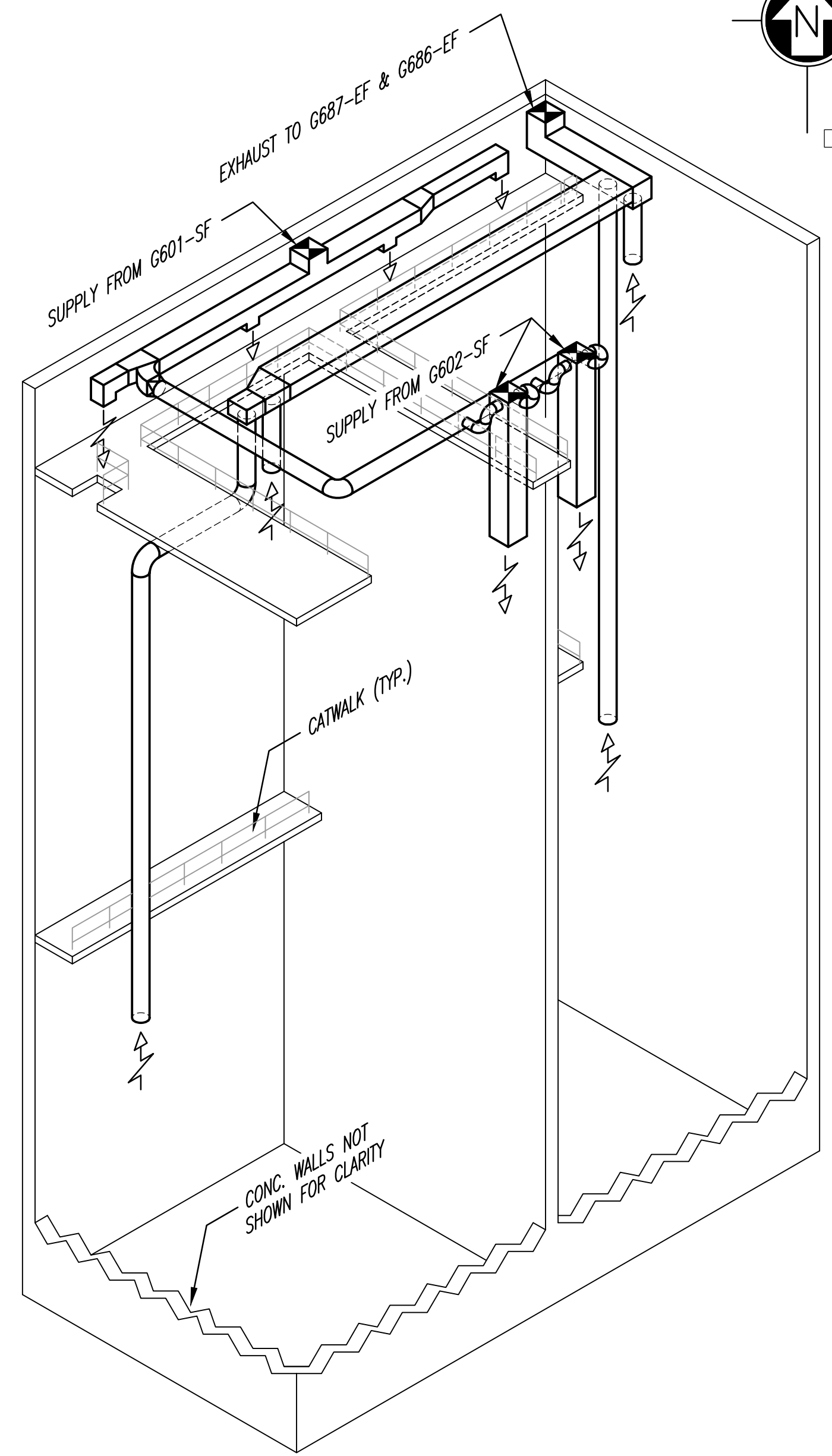
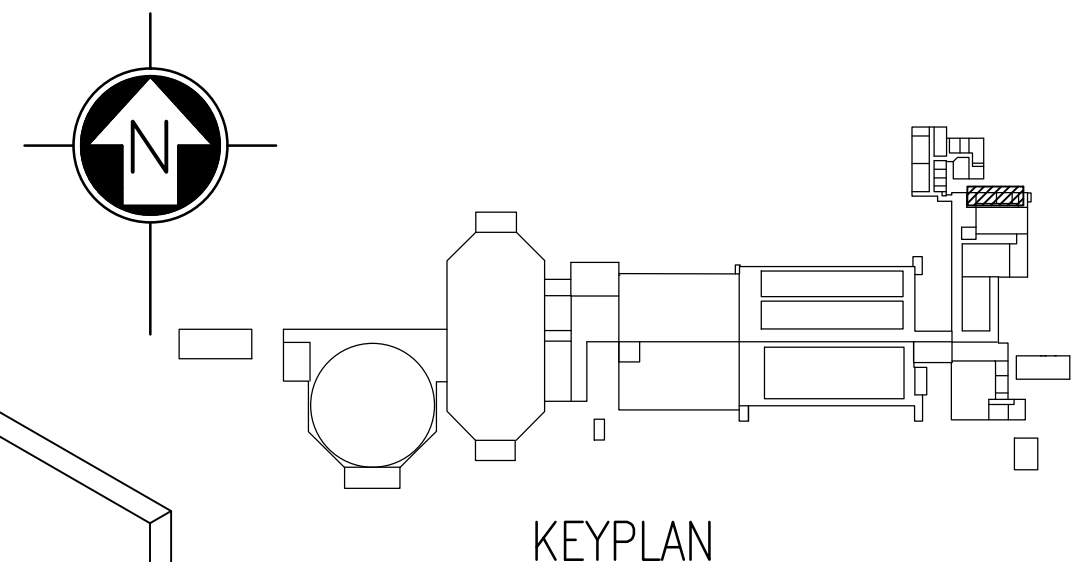


**SECTION LOOKING SOUTH**  
 SCALE: 1 : 50



**APECM**  
 Certificate of Authorization  
 SNC-Lavalin Inc.  
 No. 4489



**1** VENTILATION ISOMETRIC  
 SCALE: NONE

NO.	CONSTRUCTION NOTES
1	SUPPLY AND INSTALL STAINLESS STEEL EXHAUST DUCTING IN ACCORDANCE WITH SMACNA STANDARDS.
2	SUPPLY AND INSTALL STAINLESS STEEL SUPPLY DUCTING AT HIGH LEVEL OF WET WELL AREA.
3	SUPPLY AND INSTALL STAINLESS STEEL SUPPLY DUCTING IN ACCORDANCE WITH SMACNA STANDARDS. SEE DRAWING 1-0102G-M0028 FOR DETAILS.

NO.	REVISIONS	DATE	DESIGN	CHECK
01	ISSUED FOR TENDER, BID OPP. 42-2013	2013/03/25	TRS	SN
00	ISSUED FOR TENDER, BID OPP. 545-2012	2012/09/10	TRS	SN

**SNC-LAVALIN INC.**  
 148 Nature Park Way  
 Winnipeg, MB, Canada R3P 0X7  
 204-796-8080

DESIGNED BY: S. NORSWORTHY  
 CHECKED BY: S. NORSWORTHY  
 DRAWN BY: K. MOHAMMED  
 APPROVED BY: C. REIMER  
 SCALE: 1:50  
 DATE: 2012/01/20  
 CONSULTANT NO.: 112577-0116-45DD-0110

ENGINEER'S SEAL  
 ORIGINAL DRAWING  
 SEALED BY:  
 S. S. NORSWORTHY  
 SNC-LAVALIN  
 MEMBER #20725  
 2012/10/11  
 REV. 00

**THE CITY OF WINNIPEG**  
 WATER AND WASTE DEPARTMENT

SOUTH END WATER POLLUTION CONTROL CENTRE  
 VENTILATION & MISC. UPGRADES  
 HVAC DUCTING SECTION  
 WET WELL VENTILATION

CITY DRAWING NUMBER: **1-0102G-M0010** SHEET: **001** REV: **01** SIZE: **A1**