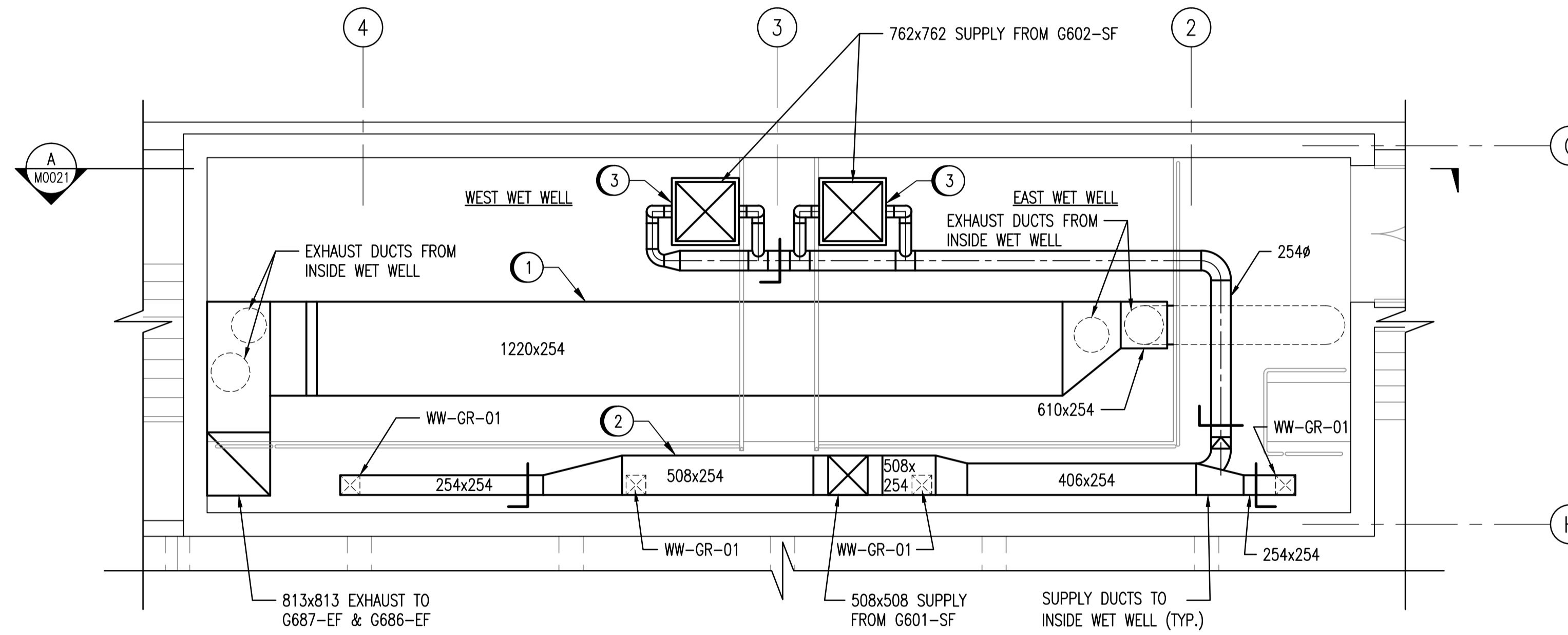


KEYPLAN



1 WET WELL PLAN AT ELEV. 238  
SCALE: 1 : 50

NO.	CONSTRUCTION NOTES
1	SUPPLY AND INSTALL STAINLESS STEEL EXHAUST DUCTING IN ACCORDANCE WITH SMACNA STANDARDS.
2	SUPPLY AND INSTALL STAINLESS STEEL SUPPLY DUCTING AT HIGH LEVEL OF WET WELL AREA.
3	SUPPLY AND INSTALL STAINLESS STEEL SUPPLY DUCTING IN ACCORDANCE WITH SMACNA STANDARDS. SEE M0028 DUCT DETAILS.



NO.	REVISIONS	DATE	DESIGN	CHECK
01	ISSUED FOR TENDER, BID OPP. 42-2013	2013/03/25	TRS	SN
00	ISSUED FOR TENDER, BID OPP. 545-2012	2012/09/10	TRS	SN

		SNC-LAVALIN INC. 148 Nature Park Way Winnipeg, MB, Canada R3P 0X7 204-798-8080	
DESIGNED BY: S. NORSWORTHY	CHECKED BY: S. NORSWORTHY	DATE: 2012/01/20	DATE: 2012/10/10
DRAWN BY: K. MOHAMMED	APPROVED BY: C. REIMER	RELEASED FOR CONSTRUCTION BY: NEIL HARRINGTON	
CONSULTANT NO.: 112577-0116-450D-0109			

ENGINEER'S SEAL  
 ORIGINAL DRAWING  
 SEALED BY:  
 S. S. NORSWORTHY  
 SNC-LAVALIN  
 MEMBER #20725  
 2012/10/11  
 REV. 00

SOUTH END WATER POLLUTION CONTROL CENTRE VENTILATION & MISC. UPGRADES HVAC DUCTING PLAN WET WELL VENTILATION			
CITY DRAWING NUMBER	SHEET	REV.	SIZE
1-0102G-M0009	001	01	A1