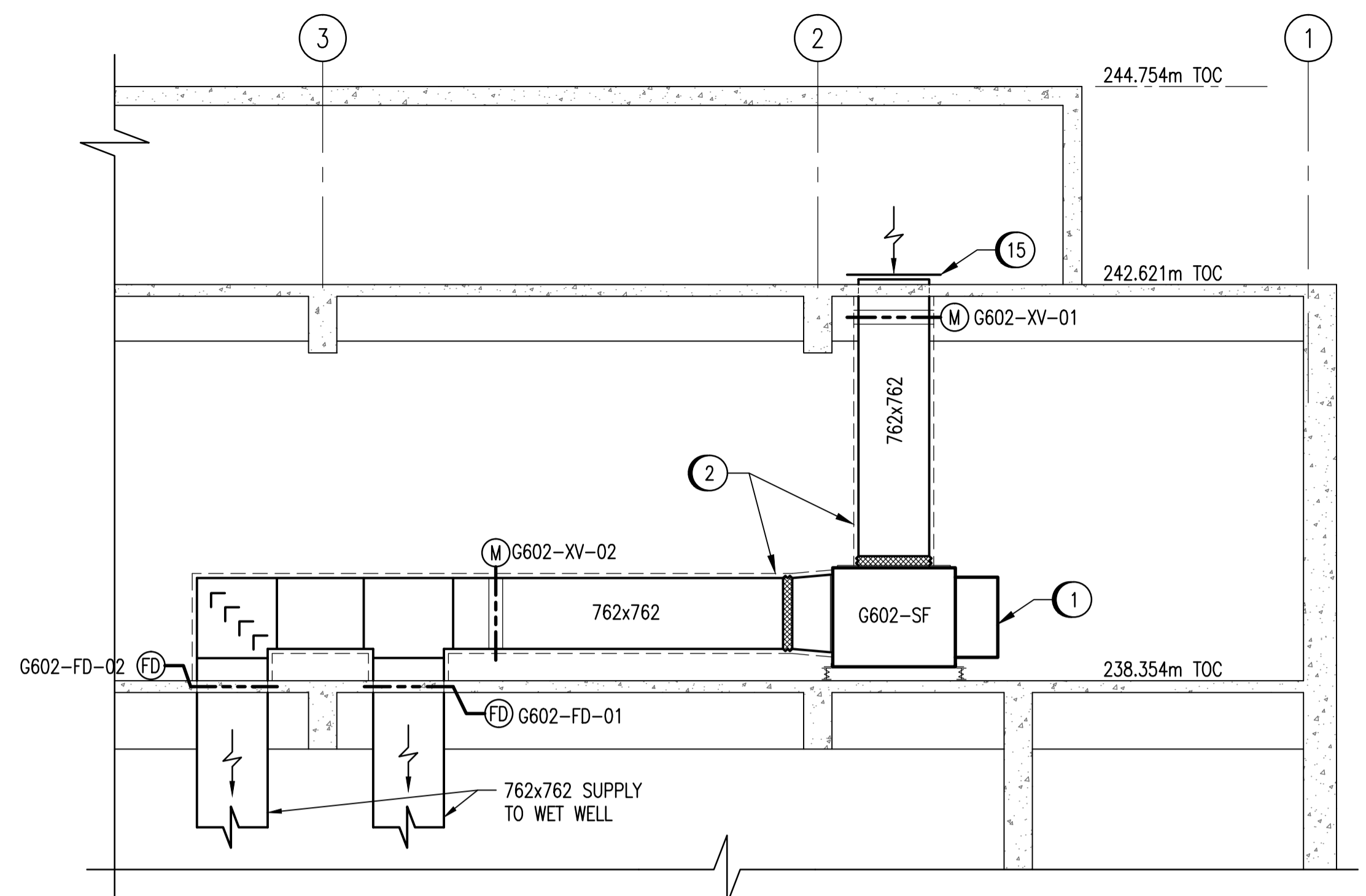
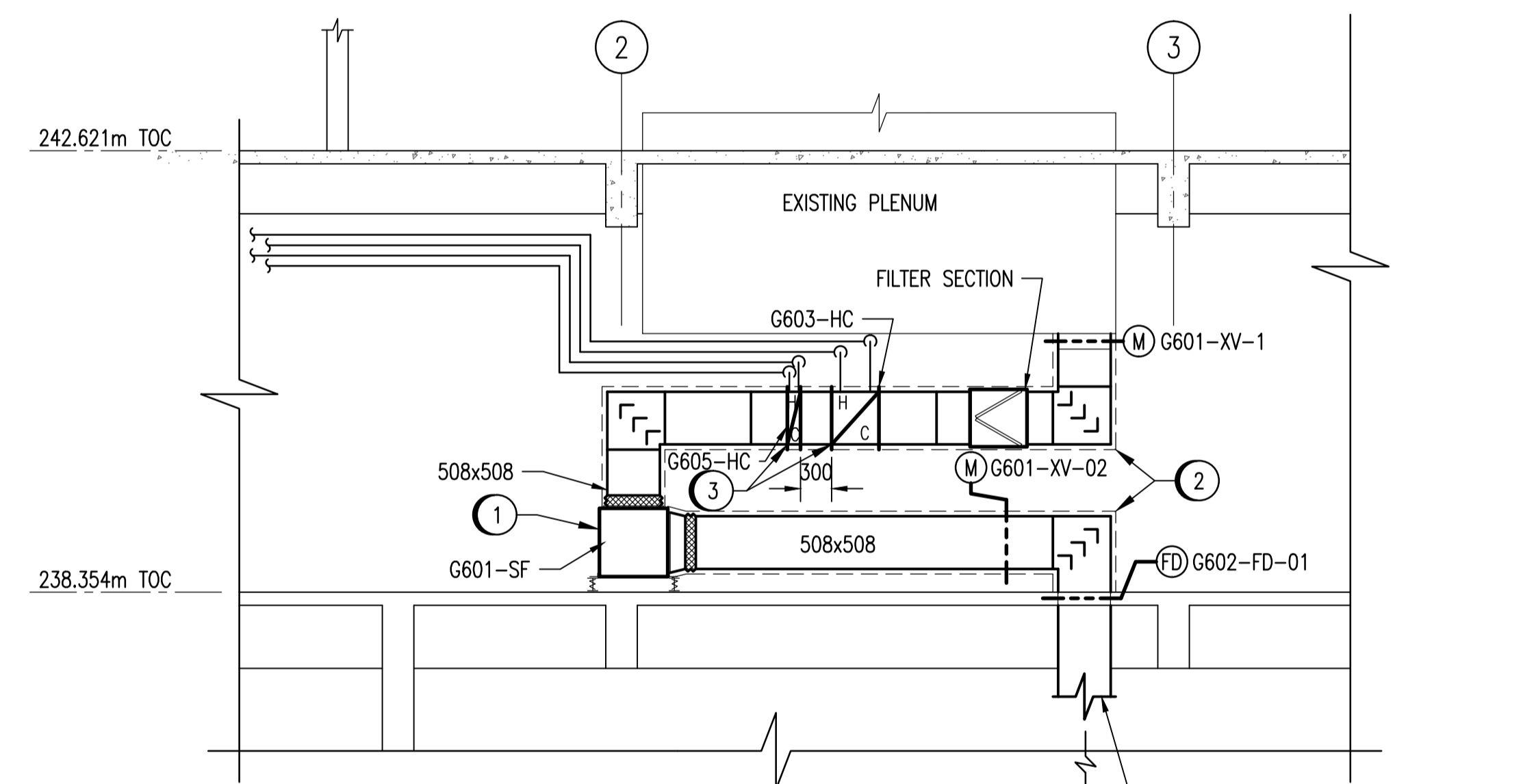


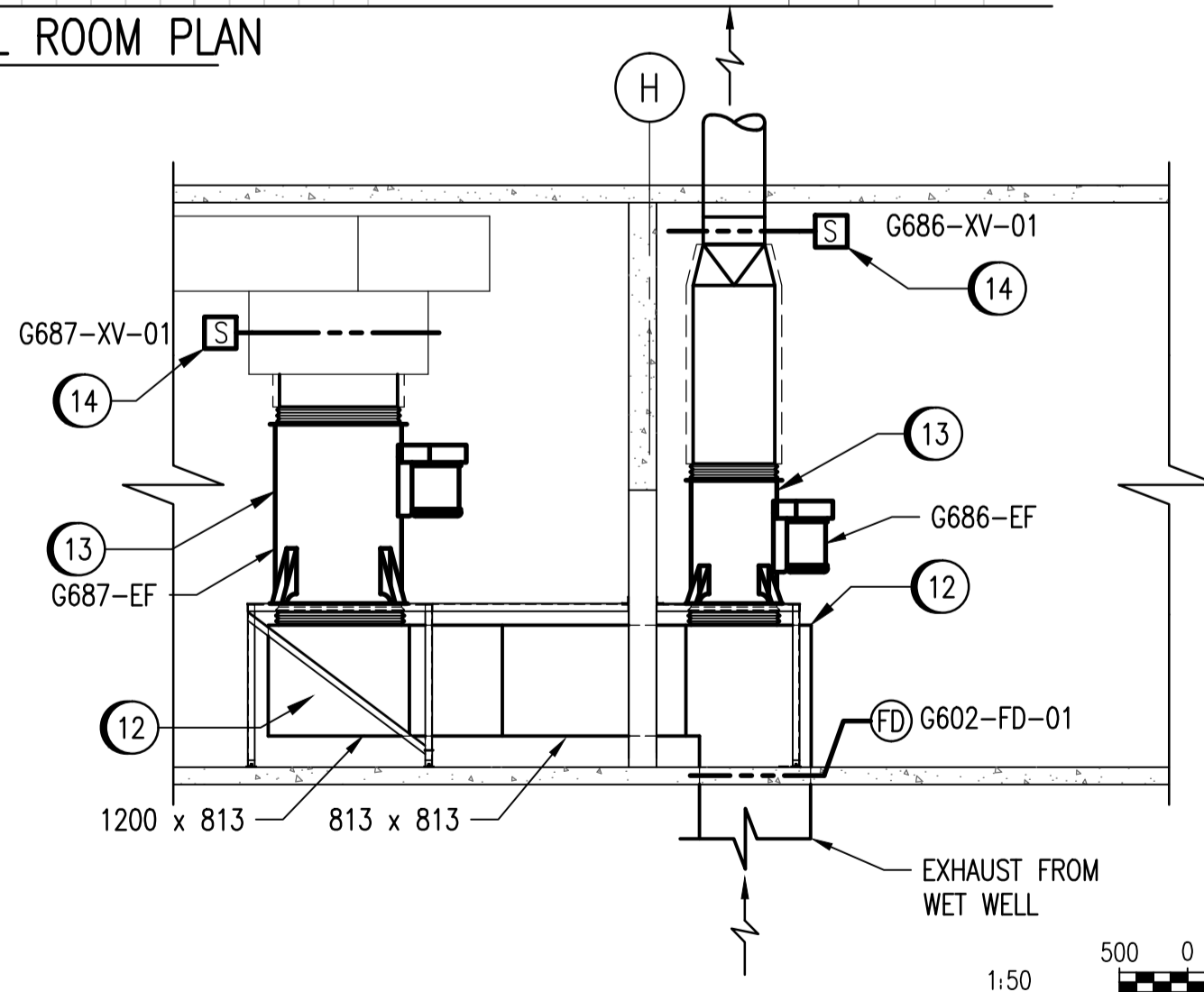
WET WELL MECHANICAL ROOM PLAN  
 SCALE: 1 : 50



SECTION 1  
 SCALE: 1 : 50



SECTION 2  
 SCALE: 1 : 50

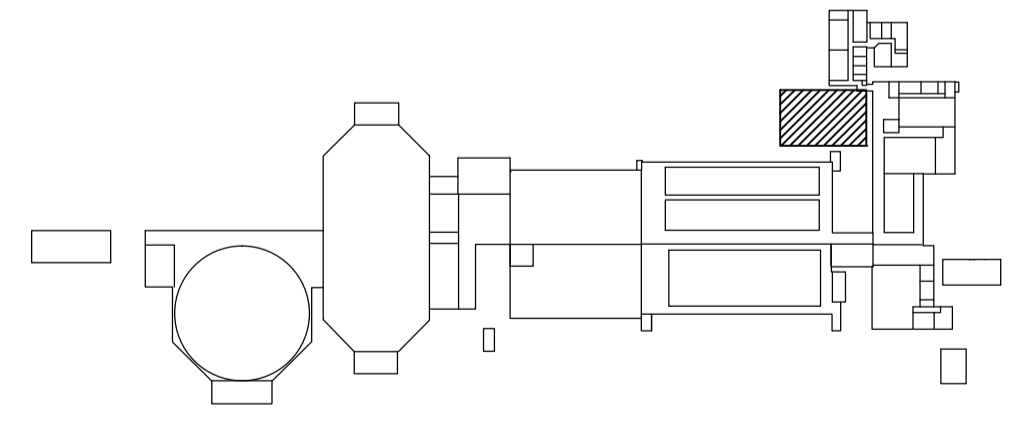


SECTION 3  
 SCALE: 1 : 50

NO.	CONSTRUCTION NOTES	NO.	CONSTRUCTION NOTES
1	SUPPLY AND INSTALL FLOOR MOUNTED SUPPLY FANS.	8	SUPPLY AND INSTALL NEW PIPING TO G682-HC.
2	SUPPLY AND INSTALL NEW INSULATED STAINLESS STEEL DUCTING TO WET WELL. FLOOR PENETRATIONS TO BE FIRE STOPPED AND DUCTS SHALL BE FITTED WITH STAINLESS STEEL FIRE DAMPERS.	9	SUPPLY AND INSTALL NEW PIPING TO G605-HE.
3	SUPPLY AND INSTALL HEATING COILS. MAINTAIN 300MM BETWEEN FACES OF COILS TO ALLOW FOR SENSORS.	10	SUPPLY AND INSTALL NEW PUMPS G603-GP AND G605-GP ON 100MM HOUSEKEEPING PAD.
4	SUPPLY AND INSTALL PLATE AND FRAME HEAT EXCHANGER ON 100MM HOUSEKEEPING PAD. REFER TO HOUSEKEEPING PAD DETAIL.	11	SUPPLY AND INSTALL NEW SUPPLY AND RETURN PIPING, VALVES, AND AIR SEPARATORS FROM HEAT EXCHANGERS TO HEATING COILS.
5	SUPPLY AND INSTALL SHELL AND TUBE HEAT EXCHANGER AND STANDS. REFER TO DWG 1-0102G-M0013 FOR DETAILS ON HOUSEKEEPING PADS AND STANDS.	12	SUPPLY AND INSTALL NEW STAINLESS STEEL EXHAUST DUCTING.
6	SUPPLY AND INSTALL EXPANSION TANKS.	13	SUPPLY AND INSTALL NEW EXHAUST FANS COMPLETE WITH TRANSITIONS TO EXISTING DUCTING.
7	SUPPLY AND INSTALL NEW PIPING TO BE TIED INTO EXISTING HOT WATER SUPPLY AND RETURN SYSTEM.	14	SUPPLY AND INSTALL NEW DAMPERS AND ACTUATORS.
		15	PROVIDE 316 STAINLESS STEEL, 19MMx3MM, 19-4-32, WELDED BAR GRATING C/W STAINLESS STEEL FRAME AND MOUNTING HARDWARE. SIZE TO COVER 762mm x 762mm OPENING.

FIRE DAMPER SCHEDULE

TAG	SERVICE	SIZE	MODEL	NOTES
G601-FD-01	WET WELL	508X508	RUSKIN DFD35SS	316 SS
G602-FD-01	WET WELL	762X762	RUSKIN DFD35SS	316 SS
G602-FD-02	WET WELL	762X762	RUSKIN DFD35SS	316 SS
G687-FD-01	WET WELL	813X813	RUSKIN DFD35SS	316 SS



KEYPLAN  
 SCALE: NTS

DRAWING NUMBER	REFERENCE DRAWINGS
1-102G-M0014	HVAC DEMOLITION PLAN - WET WELL VENTILATION
1-102G-M0013	INSTALLATION DETAILS - WET WELL VENTILATION
1-0102G-A	P&ID - WET WELL VENTILATION
1-0102G-A	P&ID - G601-AHU
1-0102G-A0029	P&ID - G686-EF & G687-EF

**APECM**  
 Certificate of Authorization  
 SNC-Lavalin Inc.  
 No. 4489

NO.	REVISIONS	DATE	DESIGN	CHECK
01	ISSUED FOR TENDER, BID OPP. 42-2013	2013/03/25	TRS	SN
00	ISSUED FOR TENDER, BID OPP. 545-2012	2012/09/10	TRS	SN

**SNC-LAVALIN INC.**  
 148 Nature Park Way  
 Winnipeg, MB, Canada R3P 0X7  
 204-786-8080

DESIGNED BY: S. NORSWORTHY  
 CHECKED BY: S. NORSWORTHY  
 DRAWN BY: K. MOHAMMED  
 APPROVED BY: C. REIMER  
 SCALE: 1 : 50  
 DATE: 2012/01/20  
 RELEASED FOR CONSTRUCTION BY: NEIL HARRINGTON  
 DATE: 2012/10/10  
 CONSULTANT NO.: 112577-0116-450D-0108

ENGINEER'S SEAL  
 ORIGINAL DRAWING  
 SEALED BY:  
 S. S. NORSWORTHY  
 SNC-Lavalin  
 MEMBER #20725  
 2012/11/23  
 REV. 00

**THE CITY OF WINNIPEG**  
 WATER AND WASTE DEPARTMENT

SOUTH END WATER POLLUTION CONTROL CENTRE  
 VENTILATION & MISC. UPGRADES  
 HVAC PLAN AND SECTIONS  
 WET WELL VENTILATION

CITY DRAWING NUMBER: 1-0102G-M0008  
 SHEET: 001  
 REV: 01  
 SIZE: A1