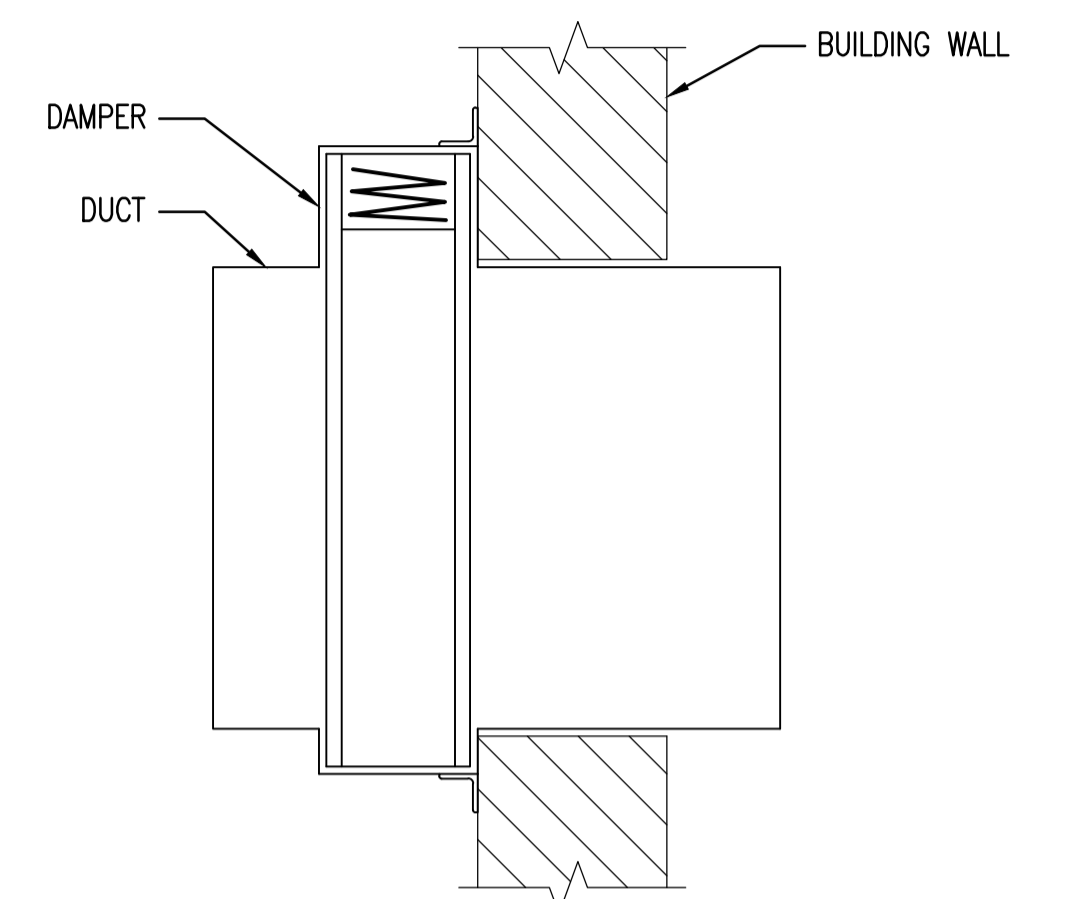
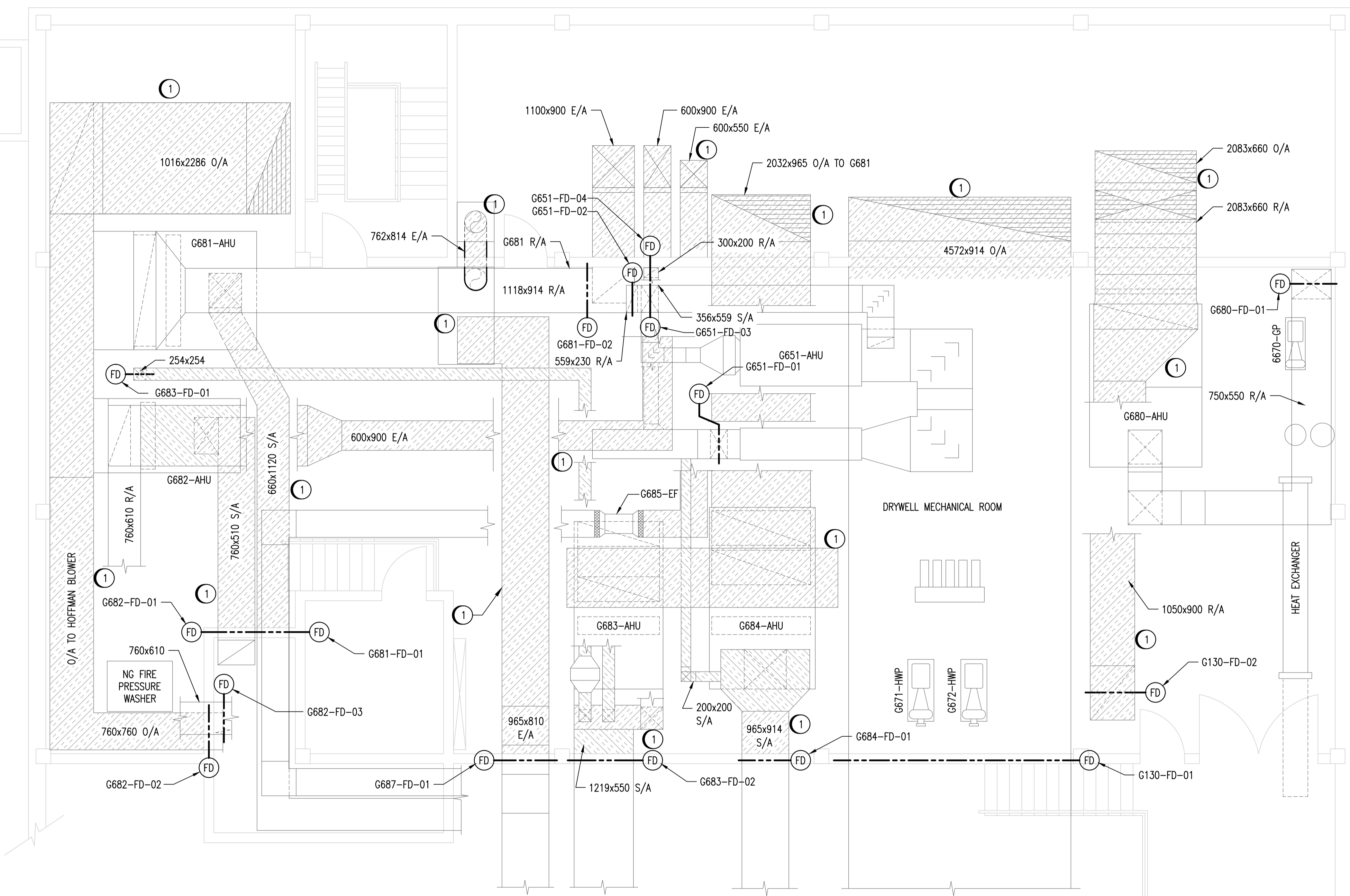


KEYPLAN



1 - VERTICAL FIRE DAMPER DETAIL (TYP.)
SCALE: NONE

LEGEND

DUCTWORK TO BE INSULATED

FIRE DAMPER SCHEDULE

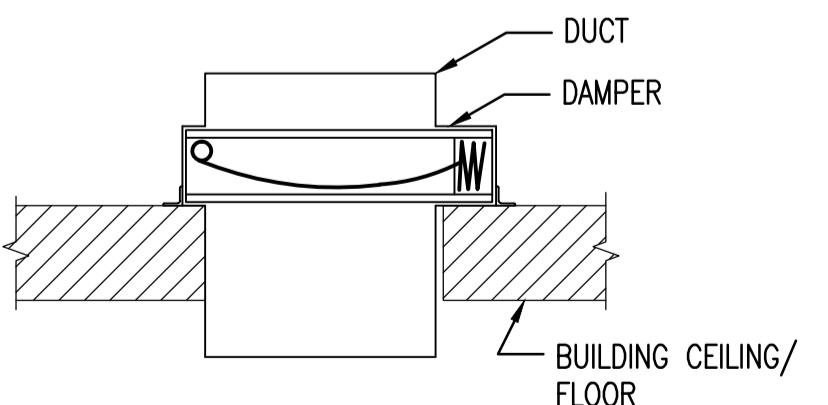
TAG	DUCT SIZE (MM)	ORIENTATION	
G130-FD-01	4572X914	VERTICAL*	NEW
G130-FD-02	914X1118	HORIZONTAL	EXISTING
G651-FD-01	610X356	HORIZONTAL	NEW
G651-FD-02	559X230	HORIZONTAL	EXISTING
G651-FD-03	356X559	HORIZONTAL	EXISTING
G651-FD-04	300X200	HORIZONTAL	EXISTING
G680-FD-01	610X813	HORIZONTAL	EXISTING
G681-FD-01	660X1120	VERTICAL	NEW
G681-FD-02	914X1118	HORIZONTAL*	NEW
G682-FD-01	760X510	VERTICAL	NEW
G682-FD-02	760X760	VERTICAL	NEW
G682-FD-03	760X610	VERTICAL	NEW
G683-FD-01	254X254	HORIZONTAL	NEW
G683-FD-02	1219X550	VERTICAL	NEW
G684-FD-01	965X914	VERTICAL	NEW
G687-FD-01	965X810	VERTICAL	NEW

* MAXIMUM FIRE DAMPER SIZE IS 914X914. MULTIPLE DAMPERS ARE REQUIRED.

- NOTES:
- 1 INSULATE DUCTWORK.

GENERAL NOTES:

- CONTRACTOR SHALL SUPPLY AND INSTALL FIRE DAMPERS IN LOCATIONS SHOWN ON DRAWINGS WHERE DUCTING PENETRATES A FIRE SEPARATION. CONTRACTOR IS TO VERIFY DIMENSIONS PRIOR TO ORDERING FIRE DAMPERS.
- FIRE DAMPERS SHALL BE INSTALLED IN ACCORDANCE WITH SMACNA STANDARDS, NATIONAL FIRE CODE AND THE NATIONAL BUILDING CODE.
- REFER TO DRAWING 1-0102G-M0007 FOR FIRE DAMPER INSTALLATION DETAILS.
- ACCESS DOORS SHALL BE PROVIDED FOR ALL FIRE DAMPERS IN ACCORDANCE WITH SMACNA AND THE NATIONAL FIRE CODE.
- INSPECT EXISTING FIRE DAMPERS AND NOTIFY THE CONTRACT ADMINISTRATOR OF ANY DAMAGED OR DEFICIENT ITEMS.



2 - HORIZ. FIRE DAMPER DETAIL (TYP.)
SCALE: NONE

APECM
Certificate of Authorization
SNC-Lavalin Inc.
No. 4489

NO.	REVISIONS	DATE	DESIGN	CHECK
01	ASBESTOS ABATEMENT REMOVED, BID OPP. 42-2013	2013/03/25	TRS	SN
00	ISSUED FOR TENDER, BID OPP. 545-2012	2012/09/10	TRS	SN

SNC-LAVALIN
SNC-LAVALIN INC.
148 Nature Park Way
Winnipeg, MB, Canada R3P 0X7
204-786-8080

DESIGNED BY: S. NORSWORTHY
DRAWN BY: K. MOHAMMED
SCALE: 1 : 50
DATE: 2012/10/10
CONSULTANT NO.: 112577-0116-450D-0107

CHECKED BY: S. NORSWORTHY
APPROVED BY: C. REIMER
RELEASED FOR CONSTRUCTION BY: NEIL HARRINGTON
DATE: 2012/10/10

ENGINEER'S SEAL
ORIGINAL DRAWING SEALED BY:
S. S. NORSWORTHY
SNC-LAVALIN
MEMBER #20725
2012/10/11
REV. 00

THE CITY OF WINNIPEG
WATER AND WASTE DEPARTMENT

SOUTH END WATER POLLUTION CONTROL CENTRE
VENTILATION & MISC. UPGRADES
PLAN VIEW
FIRE DAMPER UPGRADES
GRIT BUILDING MECHANICAL ROOM

CITY DRAWING NUMBER: 1-0102G-M0007
SHEET: 001
REV: 01
SIZE: A1