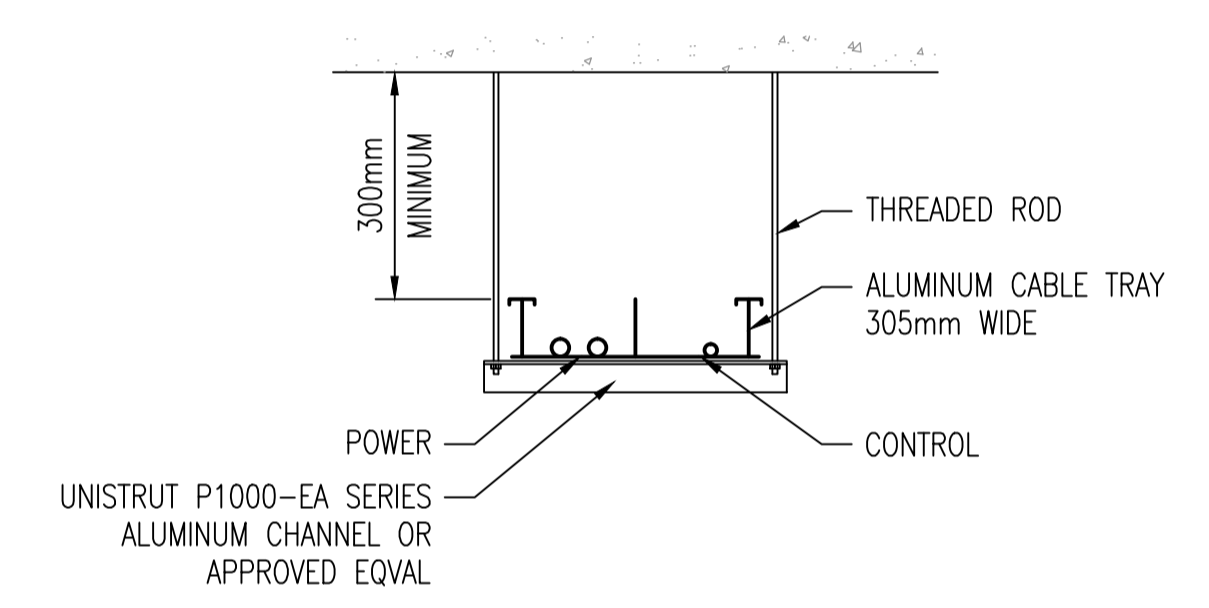


1 TYPICAL CABLE WALL MOUNTING DETAIL
SCALE: 1 : 10



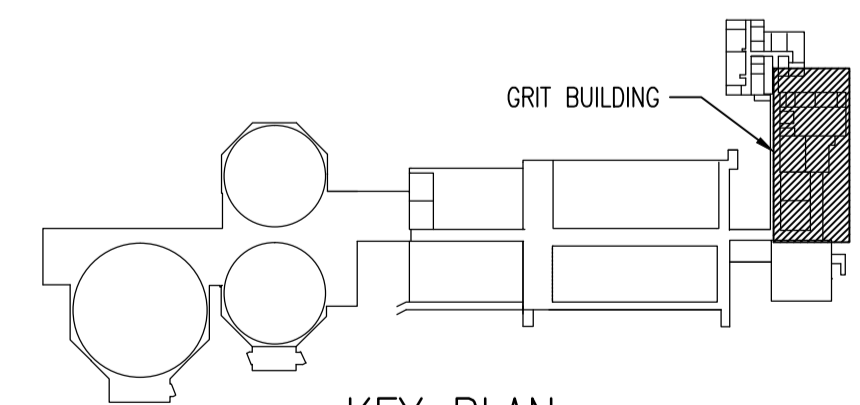
2 TYPICAL CABLE TRAY DETAIL
SCALE: 1 : 10

LOWER LEVEL

SCALE: 1 : 100



NO.	CONSTRUCTION NOTES
1	RUN CABLE TRAY ABOVE OVERHEAD CRANE SUPPORT BEAM.
2	RUN CABLE TRAY UP WALL OF MOTOR ROOM.
3	RUN CABLE ALONG WALL CLOSE TO CEILING.
4	STRAP CABLES FOR G692-EF AND G692-XV TO WALL OF MOTOR ROOM.
5	INSTALL 120VAC POWER CABLES ON EAST SIDE OF CABLE TRAY WITH EXISTING 600V ACTUATOR CABLES.
6	INSTALL CONTROL AND NETWORK CABLES ON WEST SIDE OF DIVIDED CABLE TRAY.



KEY PLAN
N.T.S.

NOTES:

- NOT ALL THE CABLES AND CONDUITS ARE SHOWN.
- CONDUITORS IN TRAY ARE DE-RATED TO ELIMINATE SPACING REQUIREMENTS BETWEEN CABLES.



NO.	REVISIONS	DATE	DESIGN	CHECK
01	ISSUED FOR TENDER, BID OPP. 42-2013	2013/01/15	TMC	CJR
00	ISSUED FOR TENDER, BID OPP. 545-2012	2012/09/10	TMC	CJR

		SNC-LAVALIN INC. 148 Nature Park Way Winnipeg, MB, Canada R3P 0X7 204-786-8080	
DESIGNED BY:	T. CHURCH	CHECKED BY:	C. REIMER
DRAWN BY:	S. FUNK	APPROVED BY:	C. REIMER
SCALE:	1:100	RELEASED FOR CONSTRUCTION BY:	N. HARRINGTON
DATE:	2011/07/12	DATE:	2012/09/10
CONSULTANT NO.:	112577-0116-47DD-0001		

ENGINEER'S SEAL

THE CITY OF WINNIPEG
 WATER AND WASTE DEPARTMENT

SOUTH END WATER POLLUTION CONTROL CENTRE
 VENTILATION & MISC UPGRADES
 CABLE TRAY AND CABLE ROUTING
 GRIT BUILDING

CITY DRAWING NUMBER	1-0102G-E0044	SHEET	001	REV.	01	SIZE	A1
---------------------	---------------	-------	-----	------	----	------	----

1-0102G-A0099	INSTRUMENT LOCATION PLAN, DRY WELL MECHANICAL ROOM
1-0102G-A0097	INSTRUMENT LOCATION PLAN, WET WELL MECHANICAL ROOM
DRAWING NUMBER	REFERENCE DRAWINGS