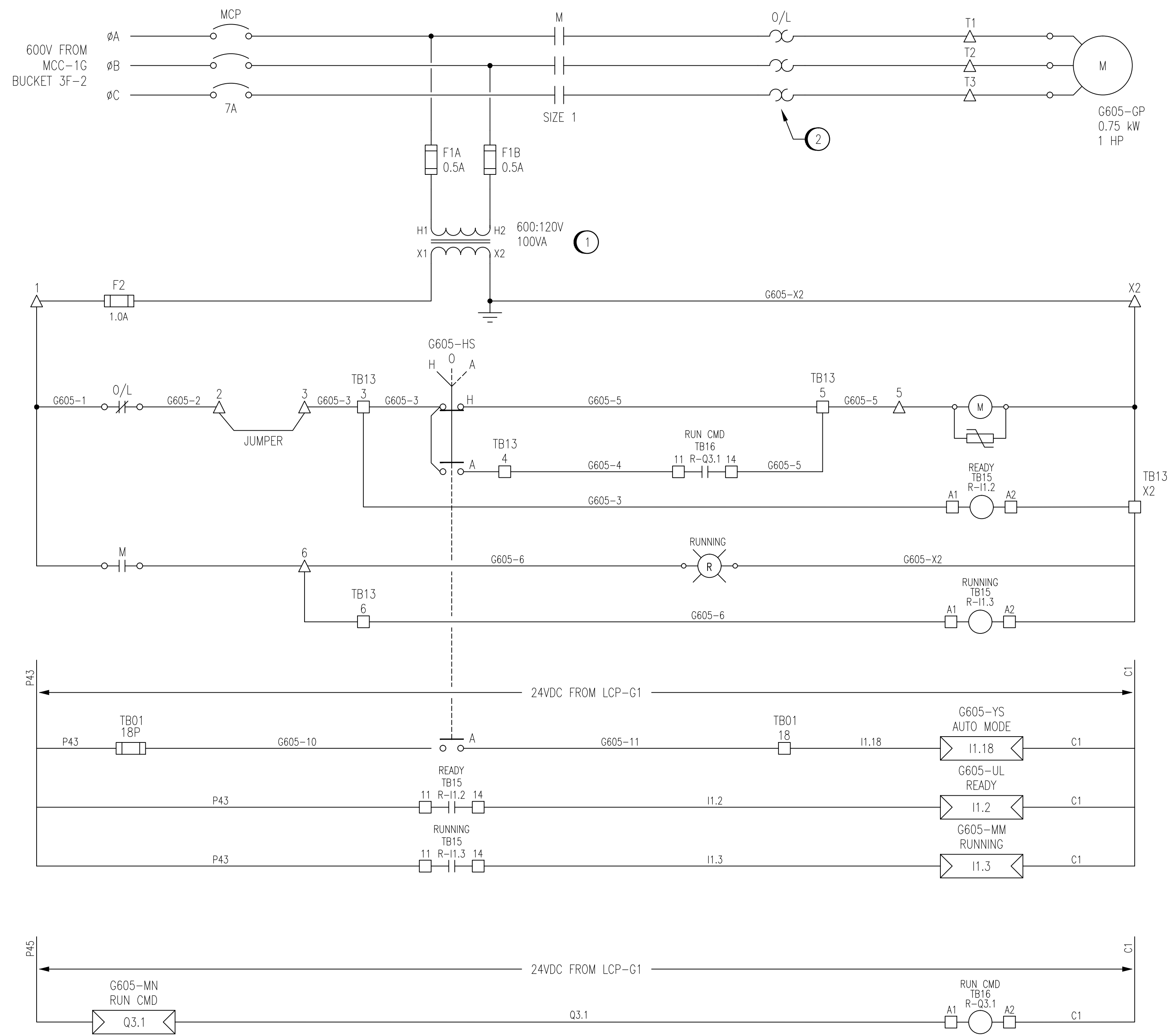


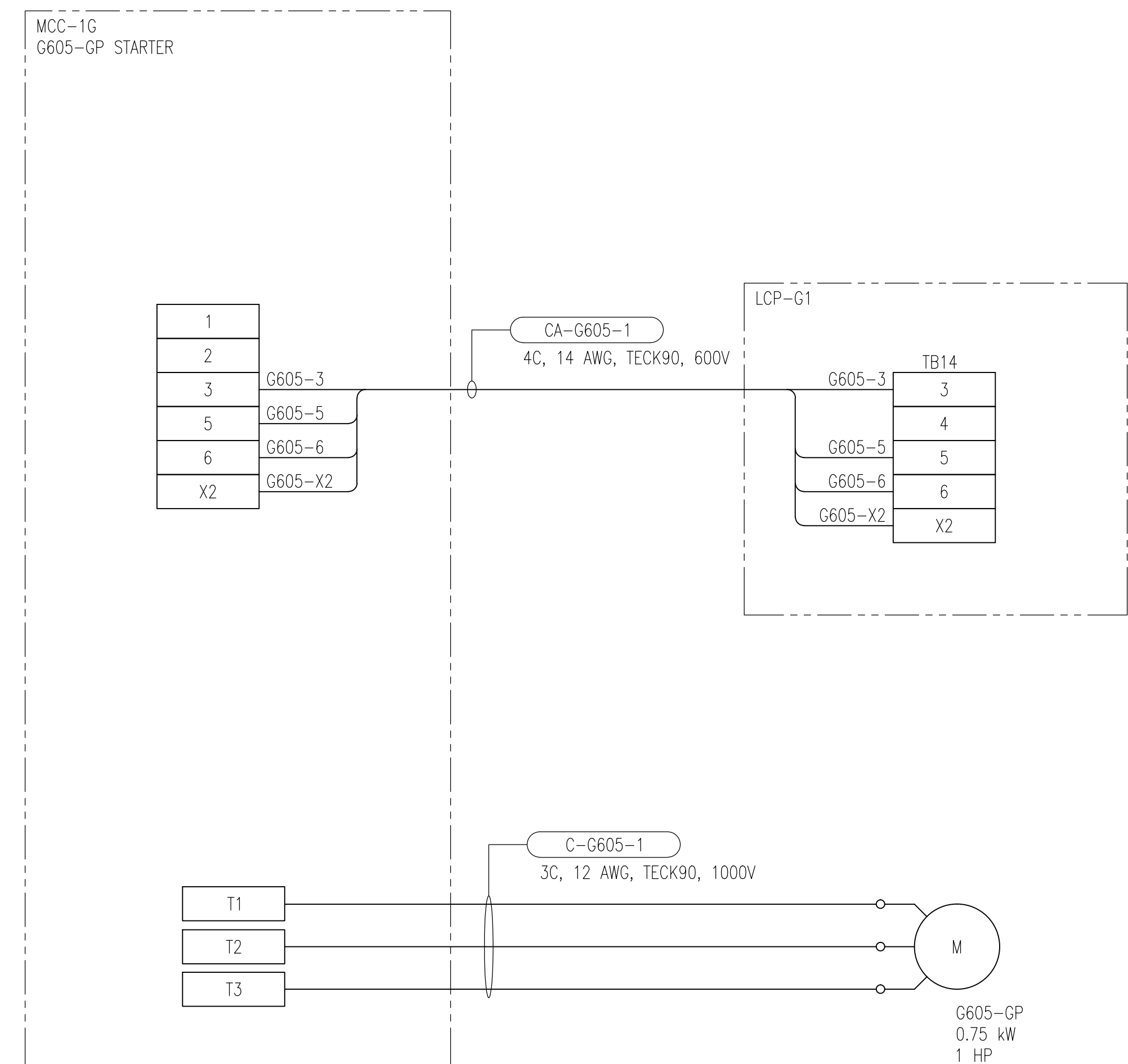
ELEMENTARY DIAGRAM:



**LEGEND:**

△	MCC TERMINAL
□	PLC CABINET TERMINAL
◀▶	PLC OUTPUT
▶◀	PLC INPUT

FIELD CONNECTION DIAGRAM:



**CONSTRUCTION NOTES:**

①	MODIFY MCC BUCKET AS SHOWN.
②	REPLACE OVERLOAD TO SUIT MOTOR. MARK NEW OVERLOAD MODEL RATING ON THE AS-BUILT MARK UP.

SEP-829 1-0102G-A0100	MCC-1G LAYOUT PANEL LAYOUT, LCP-G1
DRAWING NUMBER	REFERENCE DRAWINGS



NO.	REVISIONS	DATE	DESIGN	CHECK
01	ISSUED FOR TENDER, BID OPP. 42-2013	2013/01/15	TMC	CJR
00	ISSUED FOR TENDER, BID OPP. 545-2012	2012/09/10	TMC	CJR

 SNC-LAVALIN INC. 148 Nature Park Way Winnipeg, MB, Canada R3P 0X7 204-786-8080		ENGINEER'S SEAL
DESIGNED BY: I. CHURCH	CHECKED BY: C. REIMER	
DRAWN BY: M.J. PERSSON	APPROVED BY: C. REIMER	
SCALE: NTS	RELEASED FOR CONSTRUCTION BY: N. HARRINGTON	
DATE: 2011/11/09	DATE: 2012/09/10	
CONSULTANT NO.: 112577-0116-47DD-0007		

 THE CITY OF WINNIPEG WATER AND WASTE DEPARTMENT	
SOUTH END WATER POLLUTION CONTROL CENTRE VENTILATION & MISC UPGRADES MOTOR SCHEMATIC G605-GP GLYCOL PUMP	
CITY DRAWING NUMBER 1-0102G-E0041	SHEET REV. SIZE 001 01 A1