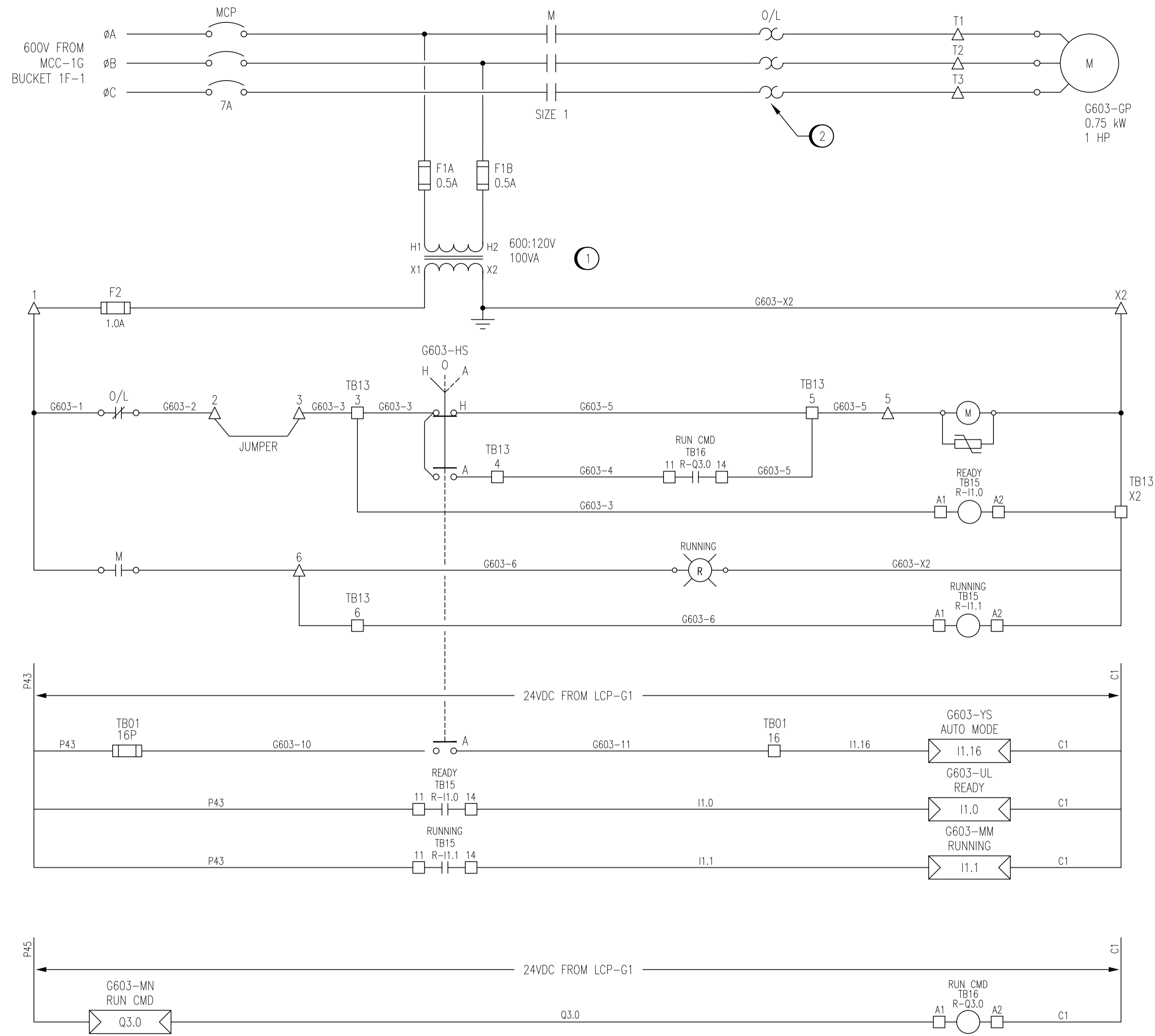


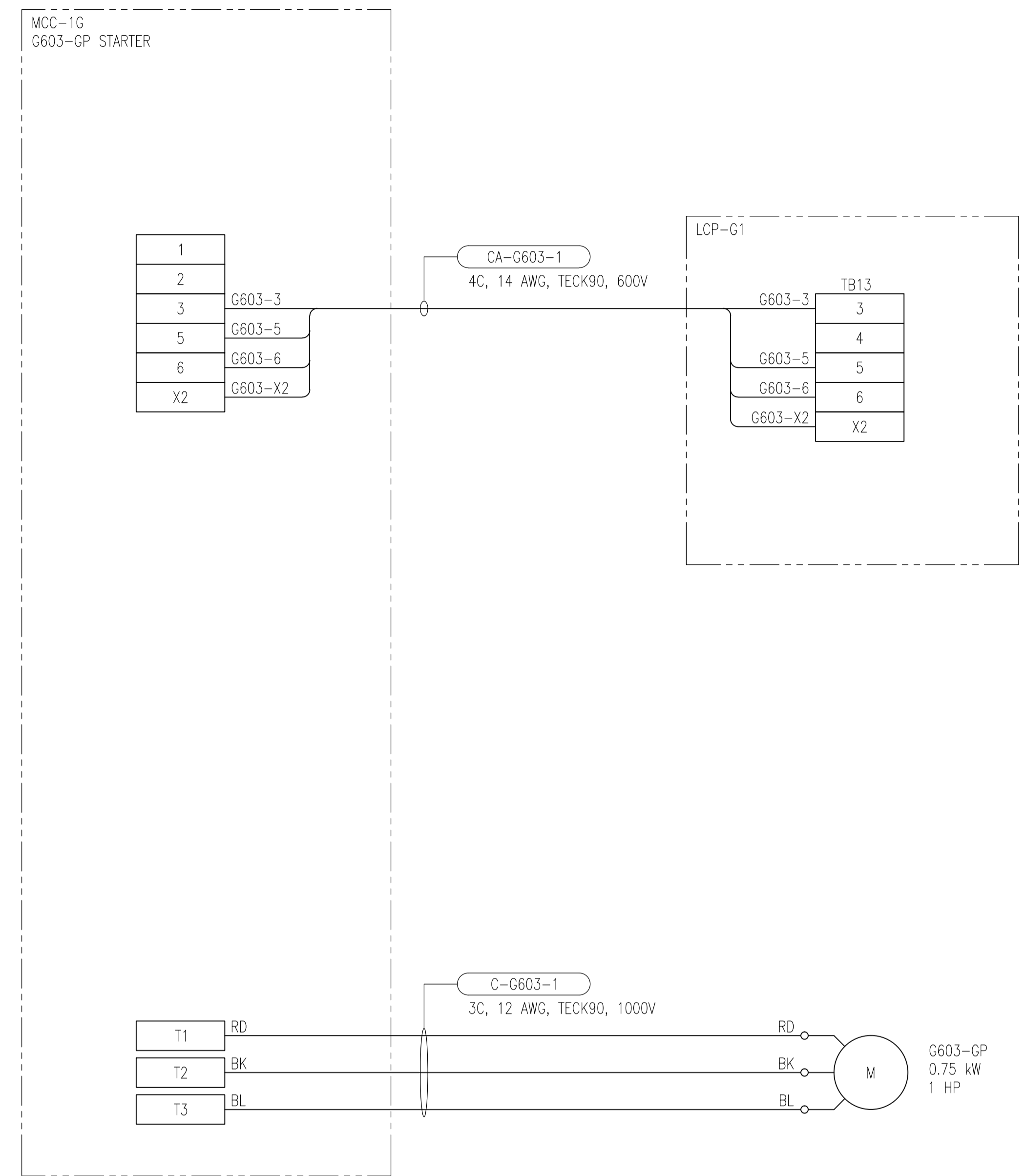
ELEMENTARY DIAGRAM:



LEGEND:

△	MCC TERMINAL
□	PLC CABINET TERMINAL
◀▶	PLC OUTPUT
▶◀	PLC INPUT

FIELD CONNECTION DIAGRAM:



CONSTRUCTION NOTES:

- 1 MODIFY MCC BUCKET AS SHOWN.
- 2 REPLACE OVERLOAD TO SUIT MOTOR. MARK NEW OVERLOAD MODEL RATING ON THE AS-BUILT MARK UP.

LAST SAVE: 2013/01/15 - 11:20am
 PATH: M:\112577\0116\4ENG\47ELE\DD - General DWG\1-0102G-E0040-001-01.dwg

SEP-829	MCC-1G LAYOUT
1-0102G-A0100	PANEL LAYOUT, LCP-G1
DRAWING NUMBER	REFERENCE DRAWINGS



SNC-LAVALIN INC. 148 Nature Park Way Winnipeg, MB, Canada R3P 0X7 204-786-8080				ENGINEER'S SEAL
DESIGNED BY: I. CHURCH	CHECKED BY: C. REIMER	THE CITY OF WINNIPEG WATER AND WASTE DEPARTMENT SOUTH END WATER POLLUTION CONTROL CENTRE VENTILATION & MISC UPGRADES MOTOR SCHEMATIC G603-GP GLYCOL PUMP		
DRAWN BY: M.J. PERSSON	APPROVED BY: C. REIMER			
SCALE: NTS	RELEASED FOR CONSTRUCTION BY: N. HARRINGTON	CITY DRAWING NUMBER		
DATE: 2012/01/25	DATE: 2012/09/10	1-0102G-E0040		
CONSULTANT NO.: 112577-0116-47DD-0006		SHEET	REV.	
		001	01	
		SIZE		
		A1		