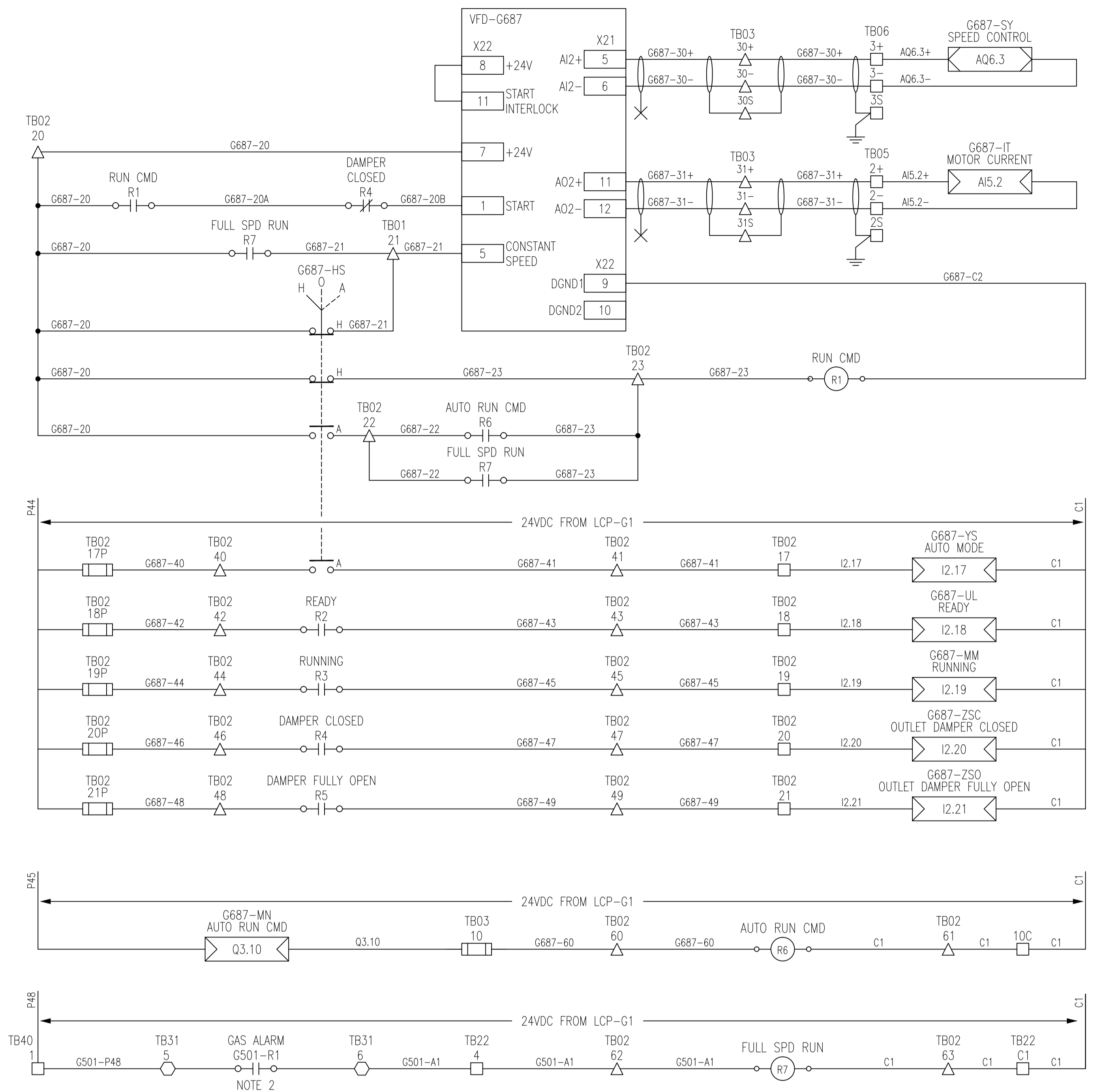
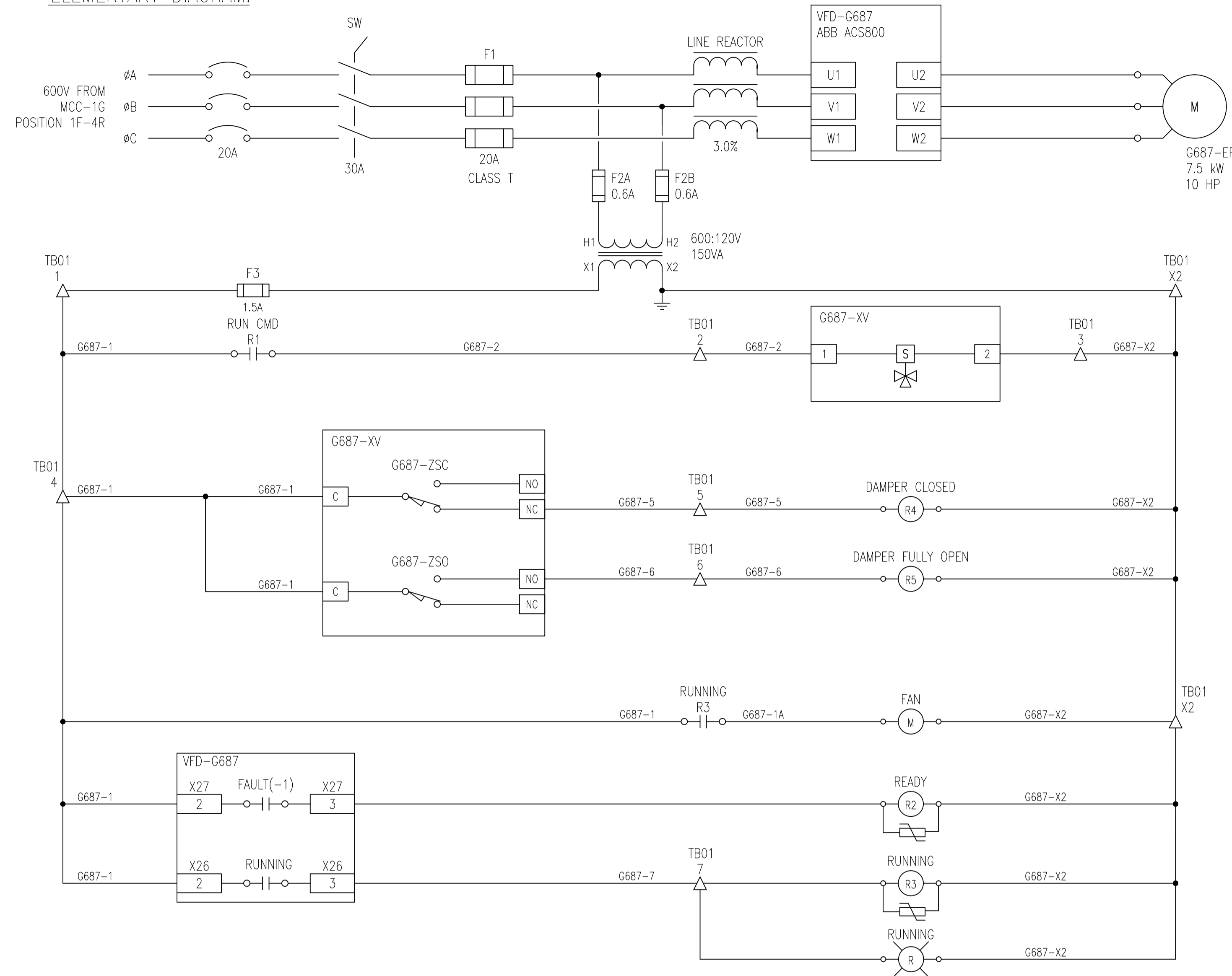
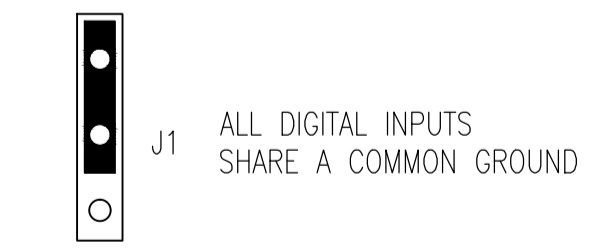


A1 SIZE - 594mm x 841mm  
 LAST SAVE: 2013/01/15 - 11:15am  
 PATH: M:\112577\0116\4ENG\47ELE\DD - General DWG\1-0102G-E0038-001-01.dwg

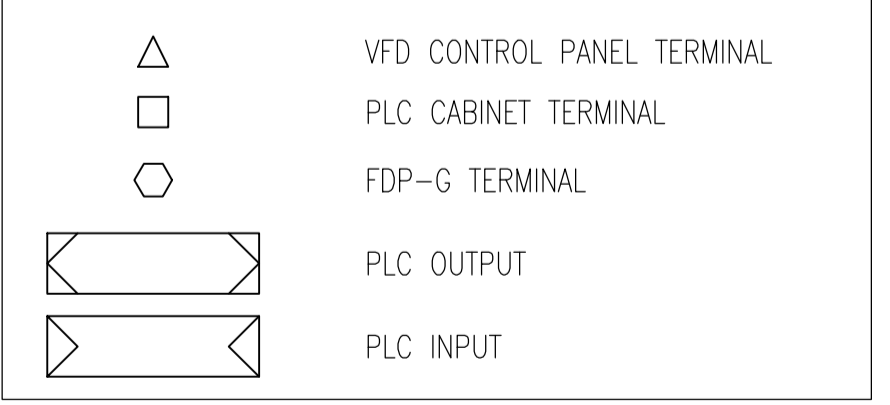
**ELEMENTARY DIAGRAM:**



**JUMPER SETTINGS**



**LEGEND:**



- NOTES:**
- THIS DRAWING SUPERCEDES SEP-2125.
  - GAS DETECTION ALARM RELAY IN FDP-G1. SEE DRAWING 1-0102G-A0065.



NO.	REVISIONS	DATE	DESIGN	CHECK
01	ISSUED FOR TENDER, BID OPP. 42-2013	2013/01/15	TMC	CJR
00	ISSUED FOR TENDER, BID OPP. 545-2012	2012/09/10	TMC	CJR

SNC-LAVALIN INC. 148 Nature Park Way Winnipeg, MB, Canada R3P 0X7 204-786-8080	
DESIGNED BY: I. CHURCH	CHECKED BY: C. REIMER
DRAWN BY: M.J. PERSSON	APPROVED BY: C. REIMER
SCALE: NTS	RELEASED FOR CONSTRUCTION BY: N. HARRINGTON
DATE: 2011/11/09	DATE: 2012/09/10
CONSULTANT NO.: 112577-0116-47DD-0004	

ENGINEER'S SEAL

**THE CITY OF WINNIPEG**  
 WATER AND WASTE DEPARTMENT

SOUTH END WATER POLLUTION CONTROL CENTRE  
 VENTILATION & MISC UPGRADES  
 MOTOR SCHEMATIC  
 G687-EF FAN

CITY DRAWING NUMBER: 1-0102G-E0038  
 SHEET: 001  
 REV: 01  
 SIZE: A1

SEP-829	MCC-1G LAYOUT
1-0102G-E0048	PANEL LAYOUT, VFD-G687
1-0102G-A0100	PANEL LAYOUT, LCP-G1
DRAWING NUMBER	REFERENCE DRAWINGS