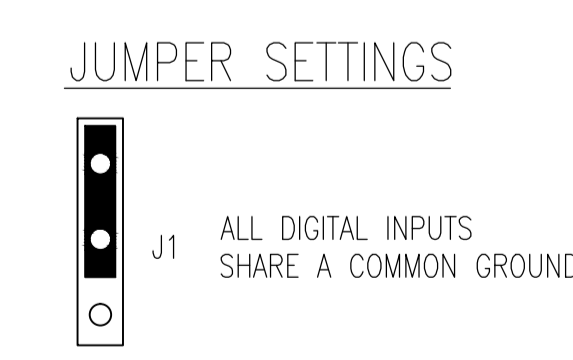
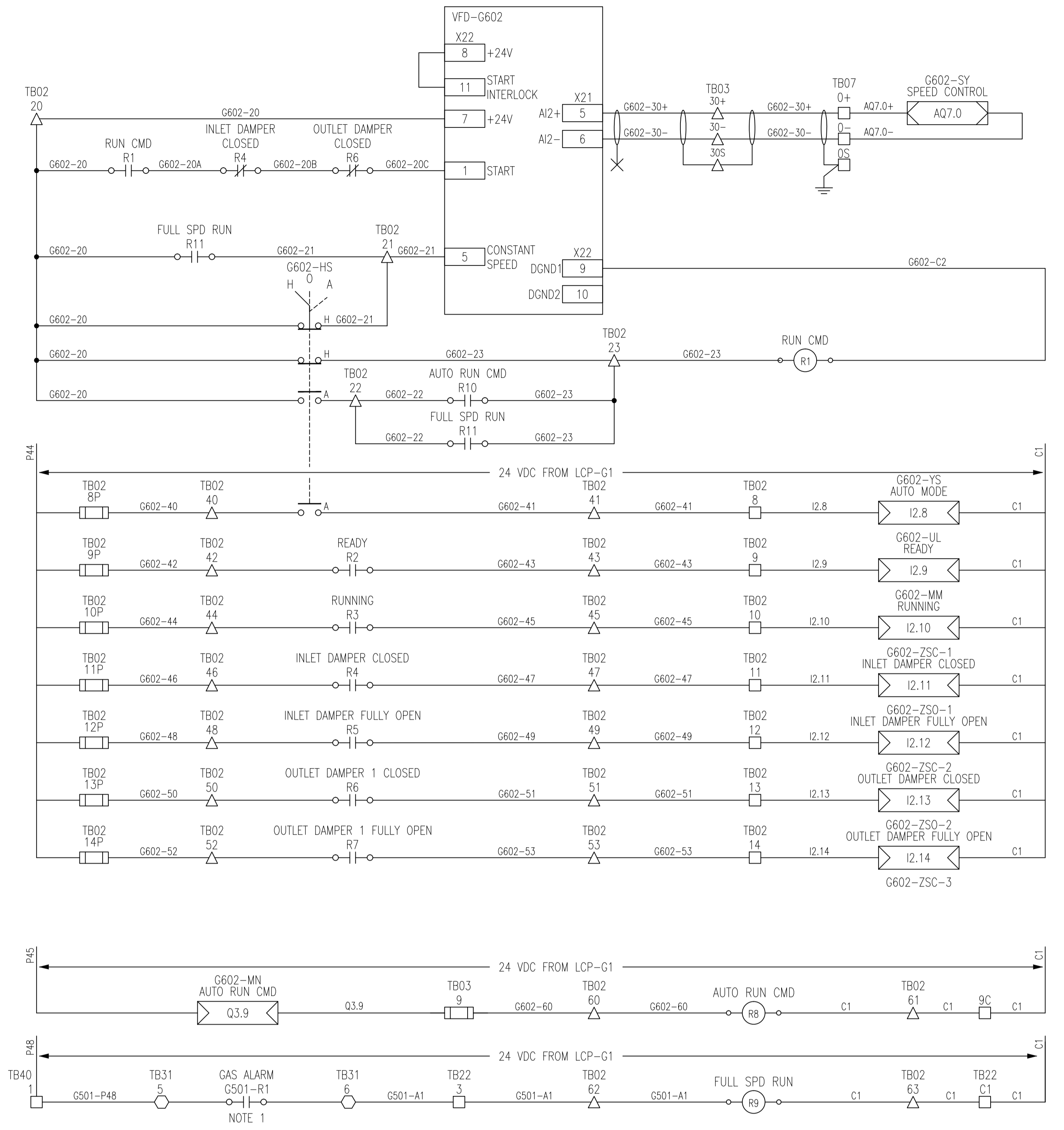
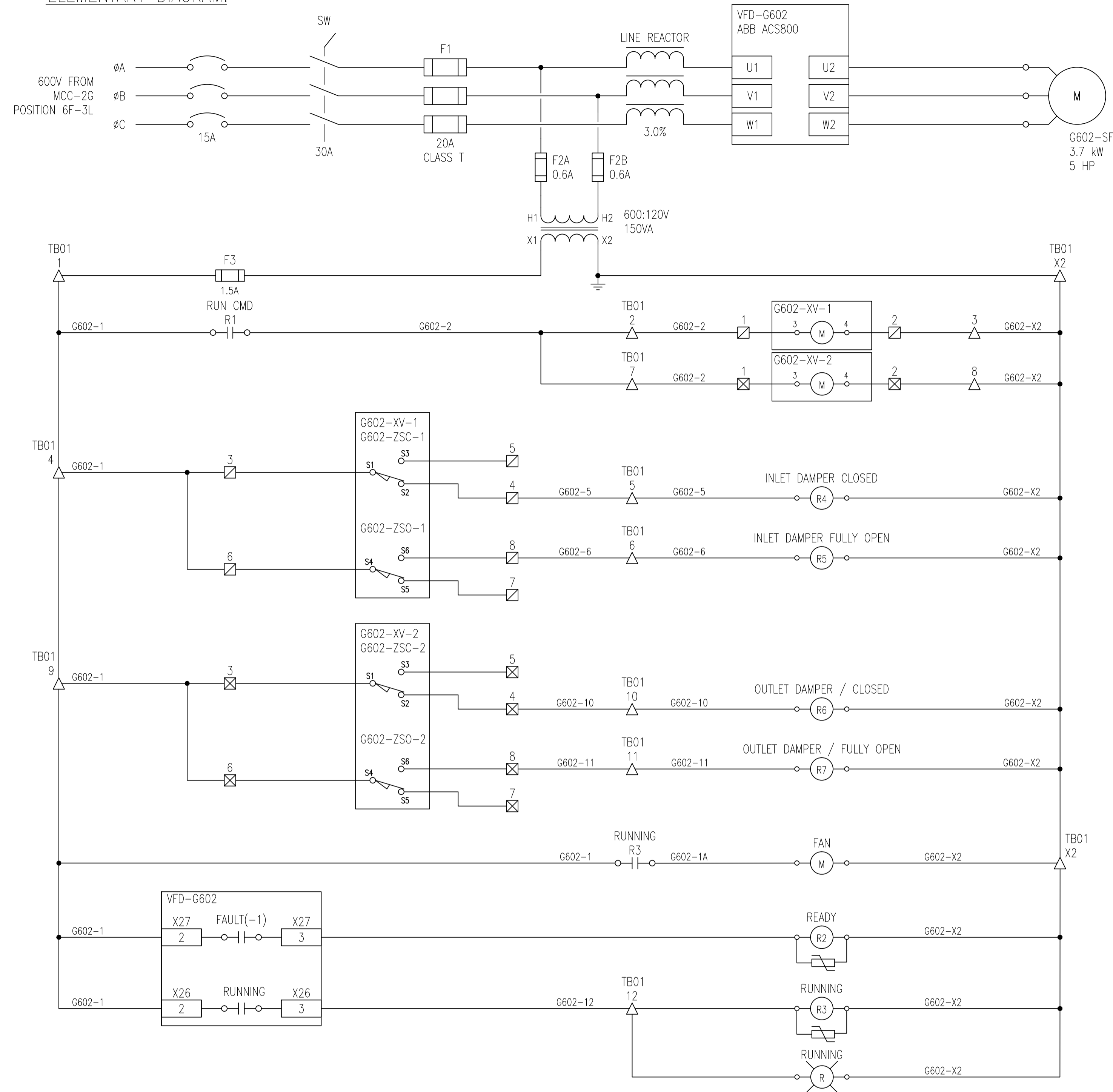


ELEMENTARY DIAGRAM:



LEGEND:

- △ VFD CONTROL PANEL TERMINAL
- PLC CABINET TERMINAL
- FDP-G TERMINAL
- ⊠ ⊡ JUNCTION BOX TERMINALS
- ◀▶ PLC OUTPUT
- ▶ PLC INPUT

SEP-830	MCC-2G LAYOUT
1-0102G-E0047	PANEL LAYOUT, VFD-G602
1-0102G-A0100	PANEL LAYOUT, LCP-G1
DRAWING NUMBER	REFERENCE DRAWINGS



NO.	REVISIONS	DATE	DESIGN	CHECK
01	ISSUED FOR TENDER, BID OPP. 42-2013	2013/01/15	TMC	CJR
00	ISSUED FOR TENDER, BID OPP. 545-2012	2012/09/10	TMC	CJR

<p>SNC-LAVALIN INC. 148 Nature Park Way Winnipeg, MB, Canada R3P 0X7 204-786-8080</p>		ENGINEER'S SEAL
DESIGNED BY: I. CHURCH	CHECKED BY: C. REIMER	
DRAWN BY: M.J. PERSSON	APPROVED BY: C. REIMER	
SCALE: NTS	RELEASED FOR CONSTRUCTION BY: N. HARRINGTON	
DATE: 2011/11/09	DATE: 2012/09/10	
CONSULTANT NO.: 112577-0116-47DD-0003		

THE CITY OF WINNIPEG
WATER AND WASTE DEPARTMENT

SOUTH END WATER POLLUTION CONTROL CENTRE
VENTILATION & MISC UPGRADES
MOTOR SCHEMATIC
G602-SF FAN

CITY DRAWING NUMBER: 1-0102G-E0037

SHEET	REV.	SIZE
001	01	A1

1-0102G-E0037-001-01.dwg