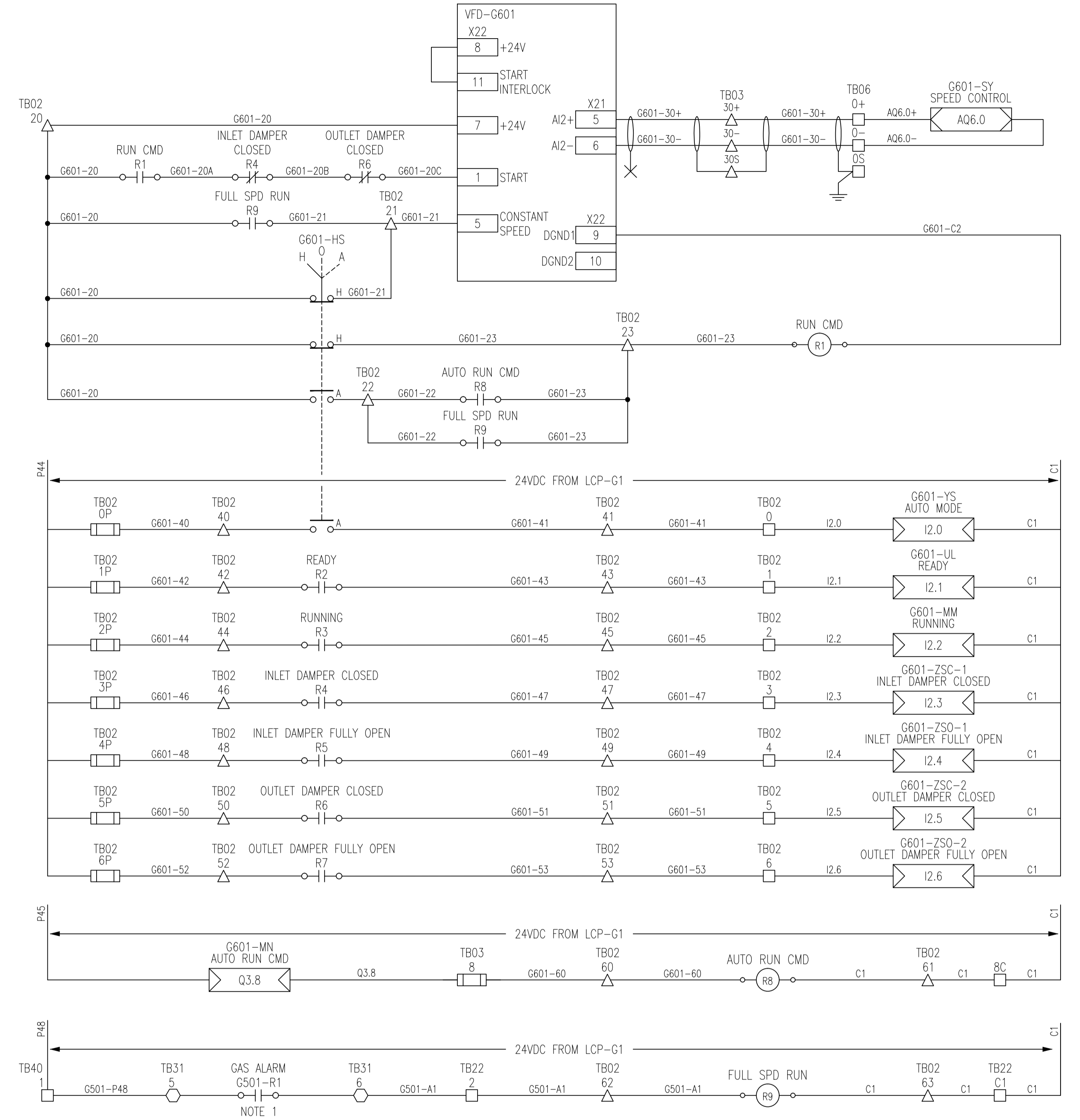
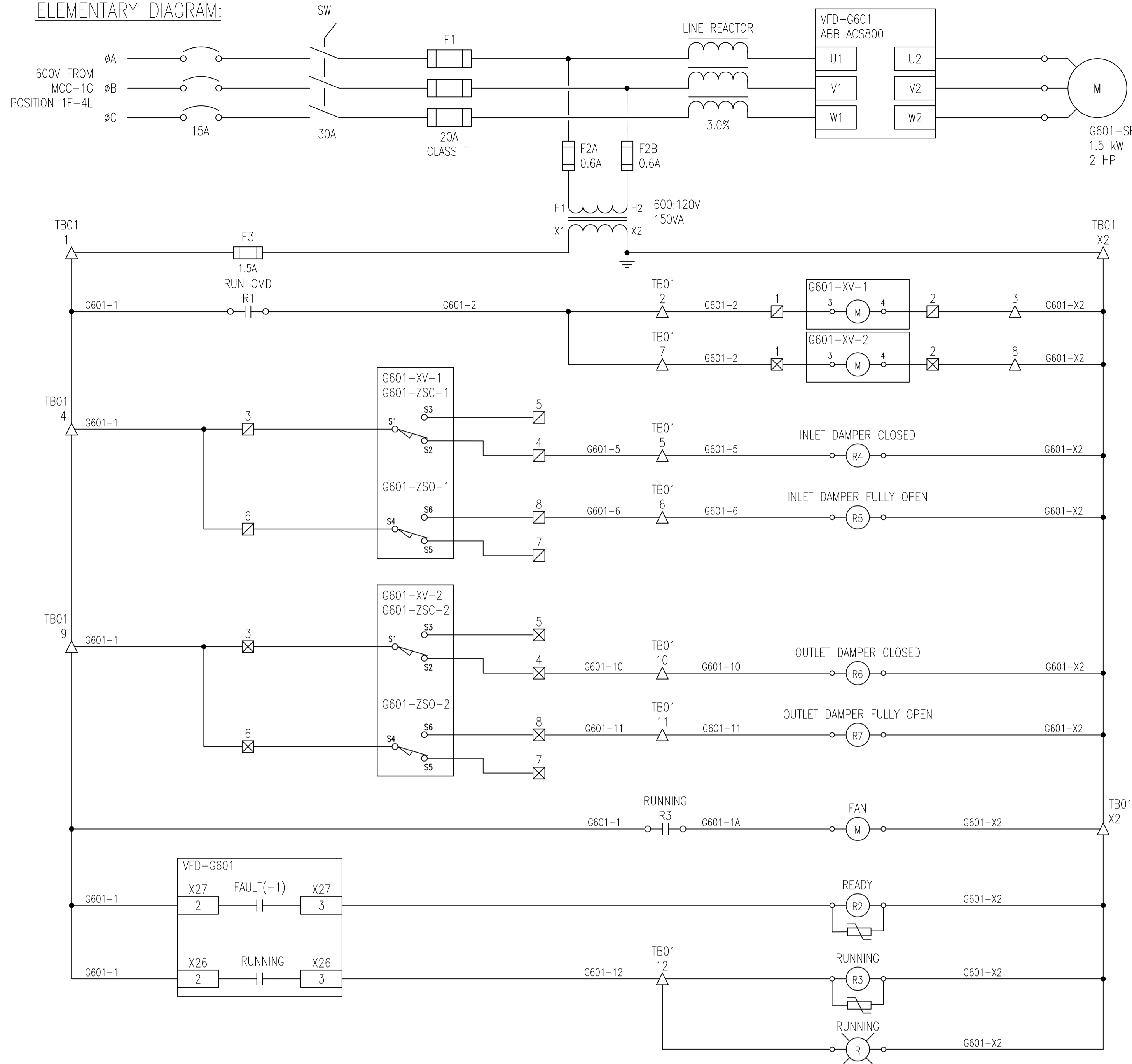
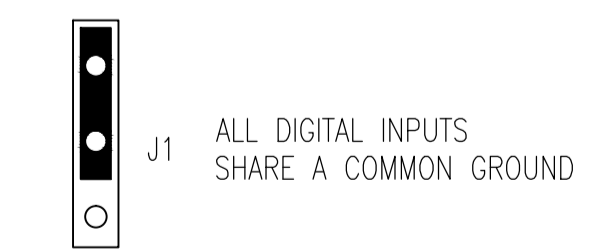


A1 SIZE - 594mm x 841mm
 LAST SAVE: 2013/01/15 - 11:04am
 PATH: M:\112577\0116\4ENG\47ELE\DD - General DWG\1-0102G-E0036-001-01.dwg

ELEMENTARY DIAGRAM:



JUMPER SETTINGS



LEGEND:

△	VFD CONTROL PANEL TERMINAL
□	PLC CABINET TERMINAL
○	FDP-G TERMINAL
⊠	JUNCTION BOX TERMINALS
▢	PLC OUTPUT
▤	PLC INPUT

NOTES:

1. GAS DETECTION ALARM RELAY IN FDP-G. SEE DRAWING 1-0102G-A0065.



NO.	REVISIONS	DATE	DESIGN	CHECK
01	ISSUED FOR TENDER, BID OPP. 42-2013	2013/01/15	TMC	CJR
00	ISSUED FOR TENDER, BID OPP. 545-2012	2012/11/21	TMC	CJR

		SNC-LAVALIN INC. 148 Nature Park Way Winnipeg, MB, Canada R3P 0X7 204-786-8080	ENGINEER'S SEAL
DESIGNED BY:	I. CHURCH	CHECKED BY:	C. REIMER
DRAWN BY:	M.J. PERSSON	APPROVED BY:	C. REIMER
SCALE:	NTS	RELEASED FOR CONSTRUCTION BY:	N. HARRINGTON
DATE:	2012/01/25	DATE:	2012/09/10
CONSULTANT NO.:	112577-0116-47DD-0002		

THE CITY OF WINNIPEG
 WATER AND WASTE DEPARTMENT

SOUTH END WATER POLLUTION CONTROL CENTRE
 VENTILATION & MISC UPGRADES
 MOTOR SCHEMATIC
 G601-SF FAN

CITY DRAWING NUMBER	1-0102G-E0036	SHEET	001	REV.	01	SIZE	A1
---------------------	---------------	-------	-----	------	----	------	----

SEP-829	MCC-1G LAYOUT
1-0102G-E0046	PANEL LAYOUT, VFD-G601
1-0102G-A0100	PANEL LAYOUT, LCP-G1
DRAWING NUMBER	REFERENCE DRAWINGS