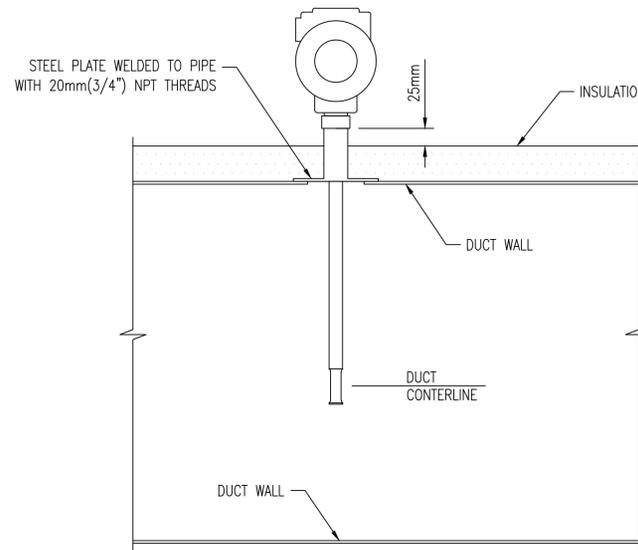
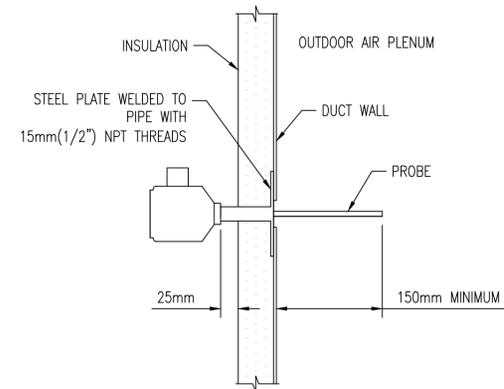


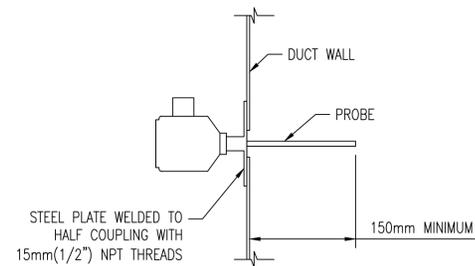
**A** EXTERIOR WALL PENETRATION  
SCALE: 1 : 10



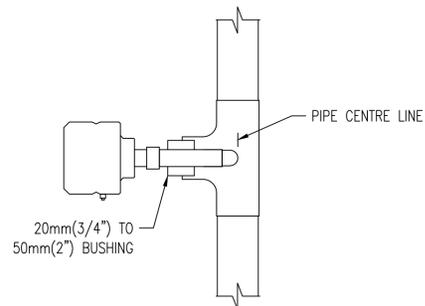
**B** FLOW METER - INSULATED DUCT  
SCALE: 1 : 5



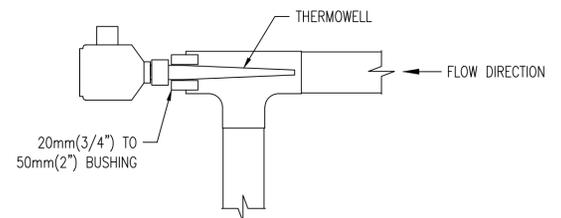
**C** TEMPERATURE TRANSMITTER - INSULATED DUCT  
SCALE: 1 : 5



**D** TEMPERATURE TRANSMITTER - UN-INSULATED DUCT  
SCALE: 1 : 5



**E** FLOW SWITCH - TEE CONNECTION  
SCALE: 1 : 5



**F** TEMPERATURE TRANSMITTER - PIPE MOUNT  
SCALE: 1 : 5

NOTES:  
1. -



NO.	REVISIONS	DATE	DESIGN	CHECK
01	ISSUED FOR TENDER, BID OPP. 42-2013	2013/01/15	TMC	CJR
00	ISSUED FOR TENDER, BID OPP. 545-2012	2012/09/10	TMC	CJR

SNC-LAVALIN INC. 148 Nature Park Way Winnipeg, MB, Canada R3P 0X7 204-786-8080			
DESIGNED BY:	T. CHURCH	CHECKED BY:	C. REIMER
DRAWN BY:	M.J. PERSSON	APPROVED BY:	C. REIMER
SCALE:	AS SHOWN	RELEASED FOR CONSTRUCTION BY:	N. HARRINGTON
DATE:	2012/04/03	DATE:	2012/09/10
CONSULTANT NO.:	112577-0116-480D-0132		

ENGINEER'S SEAL

**THE CITY OF WINNIPEG**  
 WATER AND WASTE DEPARTMENT  
 SOUTH END WATER POLLUTION CONTROL CENTRE  
 VENTILATION & MISC. UPGRADES  
 INSTALLATION DETAILS  
 CITY DRAWING NUMBER: 1-0102G-A0128  
 SHEET: 001  
 REV.: 01  
 SIZE: A1

DRAWING NUMBER	REFERENCE DRAWINGS