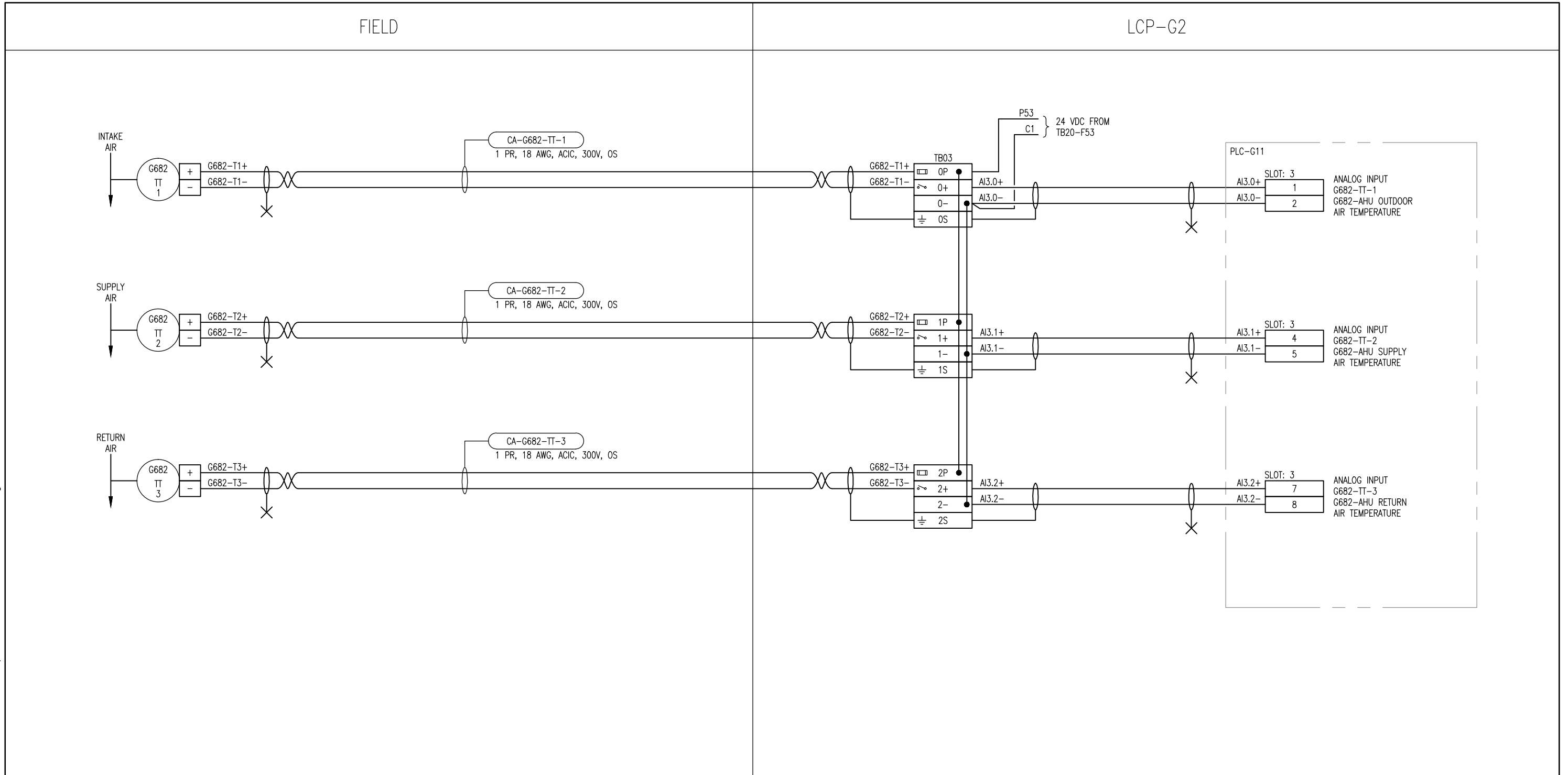


B SIZE - 279mm x 432mm

LAST SAVE: 2013/01/15 - 12:57pm
 PATH: M:\112577\0116\4ENG\48&C\DD - General DWG\1-0102G-A0120-001-01.dwg



NOTES

--	--	--	--	--

DESIGNED BY: V. ELIMBAN CHECKED BY: T. CHURCH DRAWN BY: MJ. PERSSON APPROVED BY: C. REIMER SCALE: NTS DATE: 2012/01/27 RELEASED FOR CONSTRUCTION BY: N. HARRINGTON DATE: 2012/09/10 CONSULTANT NO.: 112577-0116-48DD-0121				
01	ISSUED FOR TENDER, BID OPP. 42-2013	2013/01/15	TMC	CJR
00	ISSUED FOR TENDER, BID OPP. 545-2012	2012/09/10	TMC	TMC
NO.	REVISIONS	DATE	DESIGN	CHECK

148 Nature Park Way
 Winnipeg, MB, Canada R3P 0X7
 204-786-8080

ENGINEER'S SEAL

THE CITY OF WINNIPEG
 WATER AND WASTE DEPARTMENT

SOUTH END WATER POLLUTION CONTROL CENTRE
 VENTILATION AND MISC UPGRADES
 LOOP DIAGRAM
 G682-TT-1, G682-TT-2, G682-TT-3

CITY DRAWING NUMBER	SHEET	REV.	SIZE
1-0102G-A0120	001	01	B