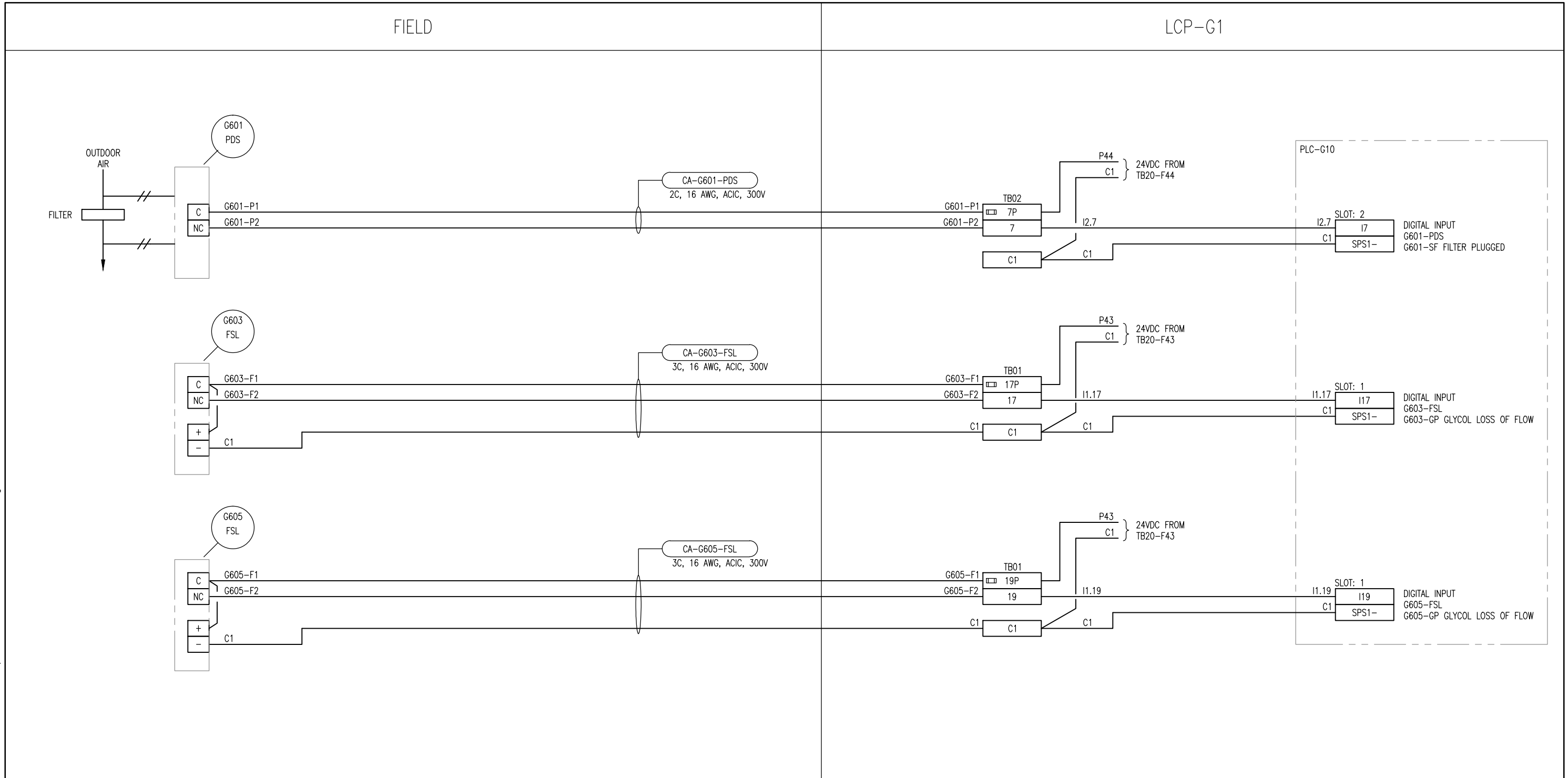


B SIZE - 279mm x 432mm

LAST SAVE: 2013/01/15 - 12:55pm  
 PATH: M:\112577\0116\4ENG\481&C\DD - General DWG\1-0102G-A0118-001-01.dwg



NOTES

<p>SNC-Lavalin Inc. No. 4489</p>				
01	ISSUED FOR TENDER, BID OPP. 42-2013	2013/01/15	TMC	CJR
00	ISSUED FOR TENDER, BID OPP. 545-2012	2012/09/10	TMC	TMC
NO.	REVISIONS	DATE	DESIGN	CHECK

**SNC-LAVALIN**

DESIGNED BY: V. ELIMBAN  
 CHECKED BY: T. CHURCH  
 DRAWN BY: MJ. PERSSON  
 APPROVED BY: C. REIMER  
 SCALE: NTS  
 DATE: 2012/01/27  
 RELEASED FOR CONSTRUCTION  
 BY: N. HARRINGTON  
 DATE: 2012/09/10  
 CONSULTANT NO.: 112577-0116-48DD-0119

ENGINEER'S SEAL

**SNC-LAVALIN INC.**  
 148 Nature Park Way  
 Winnipeg, MB, Canada R3P 0X7  
 204-786-8080

**THE CITY OF WINNIPEG**  
 WATER AND WASTE DEPARTMENT

SOUTH END WATER POLLUTION CONTROL CENTRE  
 VENTILATION AND MISC UPGRADES  
 LOOP DIAGRAM  
 G601-PDS, G603-FSL, G605-FSL

CITY DRAWING NUMBER	SHEET	REV.	SIZE
1-0102G-A0118	001	01	B