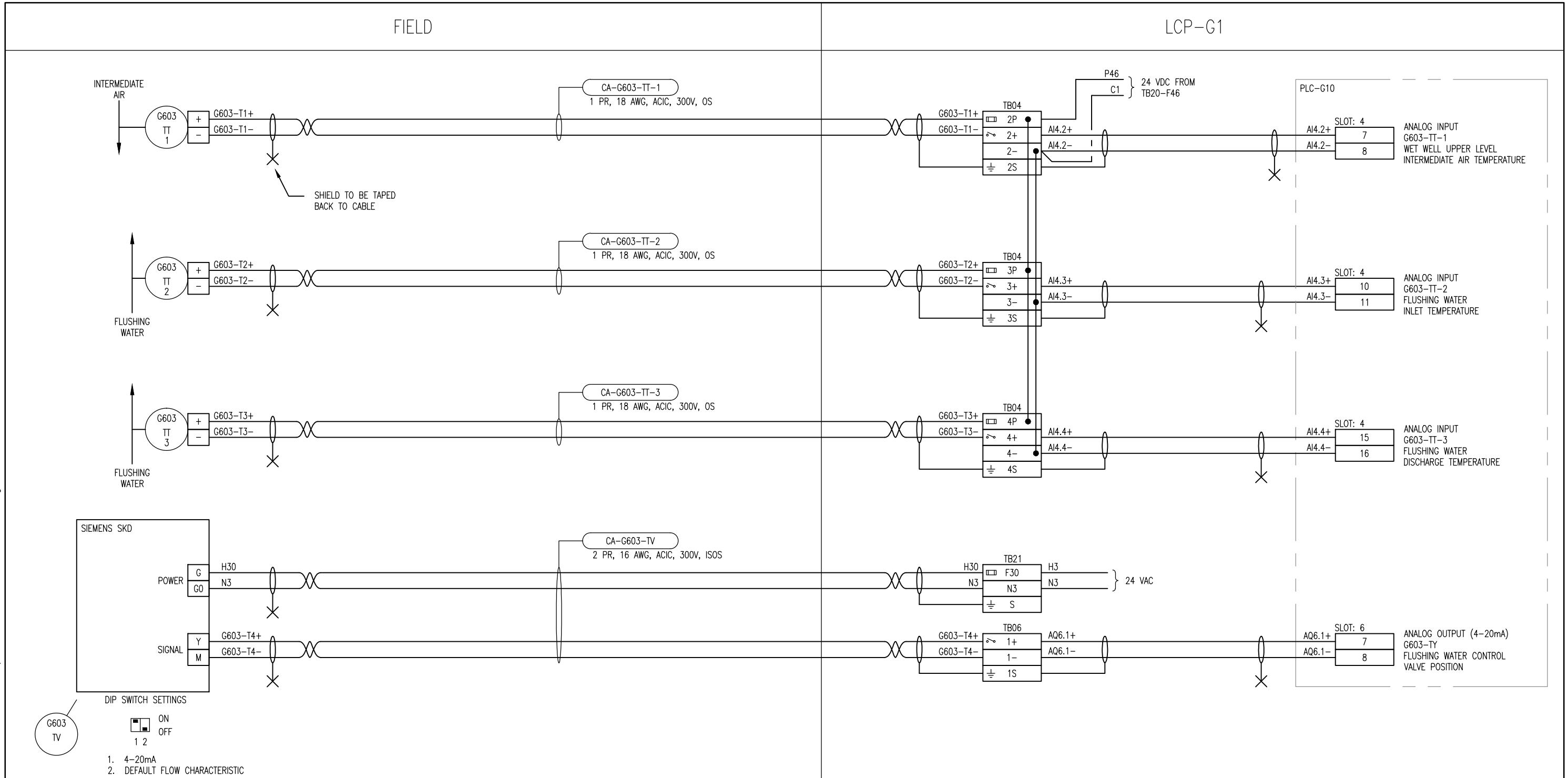


B SIZE - 279mm x 432mm

LAST SAVE: 2013/01/15 - 12:53pm
 PATH: M:\112577\0116\4ENG\48&C\DD - General DWG\1-0102G-A0116-001-01.dwg



NOTES

APECM
 Certificate of Authorization
 SNC-Lavalin Inc.
 No. 4489

NO.	REVISIONS	DATE	DESIGN	CHECK
01	ISSUED FOR TENDER, BID OPP. 42-2013	2013/01/15	TMC	CJR
00	ISSUED FOR TENDER, BID OPP. 545-2012	2012/09/10	TMC	CJR

SNC-LAVALIN INC.
 148 Nature Park Way
 Winnipeg, MB, Canada R3P 0X7
 204-786-8080

ENGINEER'S SEAL

DESIGNED BY: T. CHURCH
 CHECKED BY: C. REIMER

DRAWN BY: MJ. PERSSON
 APPROVED BY: C. REIMER

SCALE: NTS
 DATE: 2012/01/27

RELEASED FOR CONSTRUCTION
 BY: N. HARRINGTON
 DATE: 2012/09/10

CONSULTANT NO.: 112577-0116-48DD-0117

THE CITY OF WINNIPEG
 WATER AND WASTE DEPARTMENT

SOUTH END WATER POLLUTION CONTROL CENTRE
 VENTILATION AND MISC UPGRADES
 LOOP DIAGRAM
 G603-TT-1, G603-TT-2, G603-TT-3, G603-TV
 G601-SF FLUSHING WATER HEAT RECOVERY

CITY DRAWING NUMBER	SHEET	REV.	SIZE
1-0102G-A0116	001	01	B