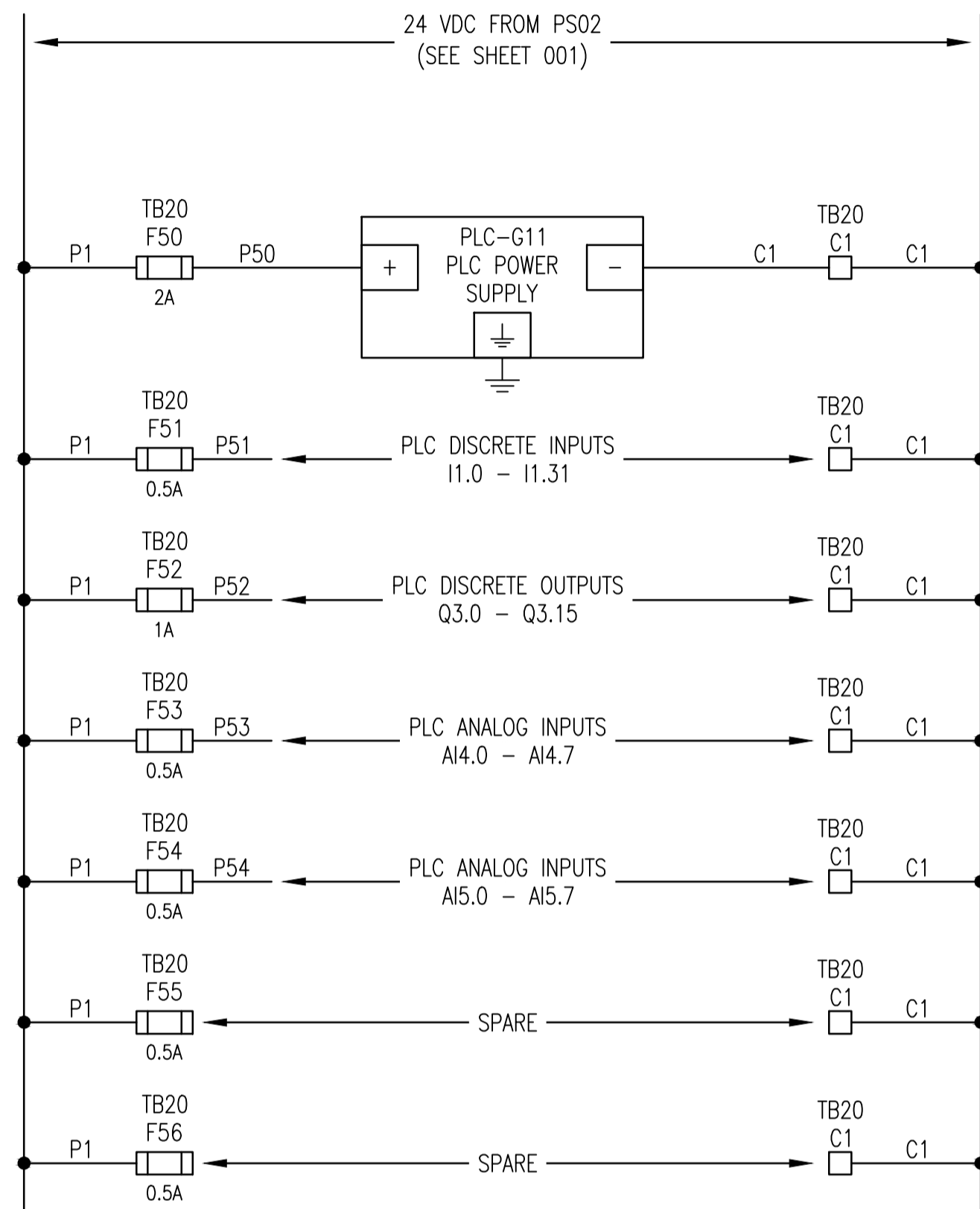
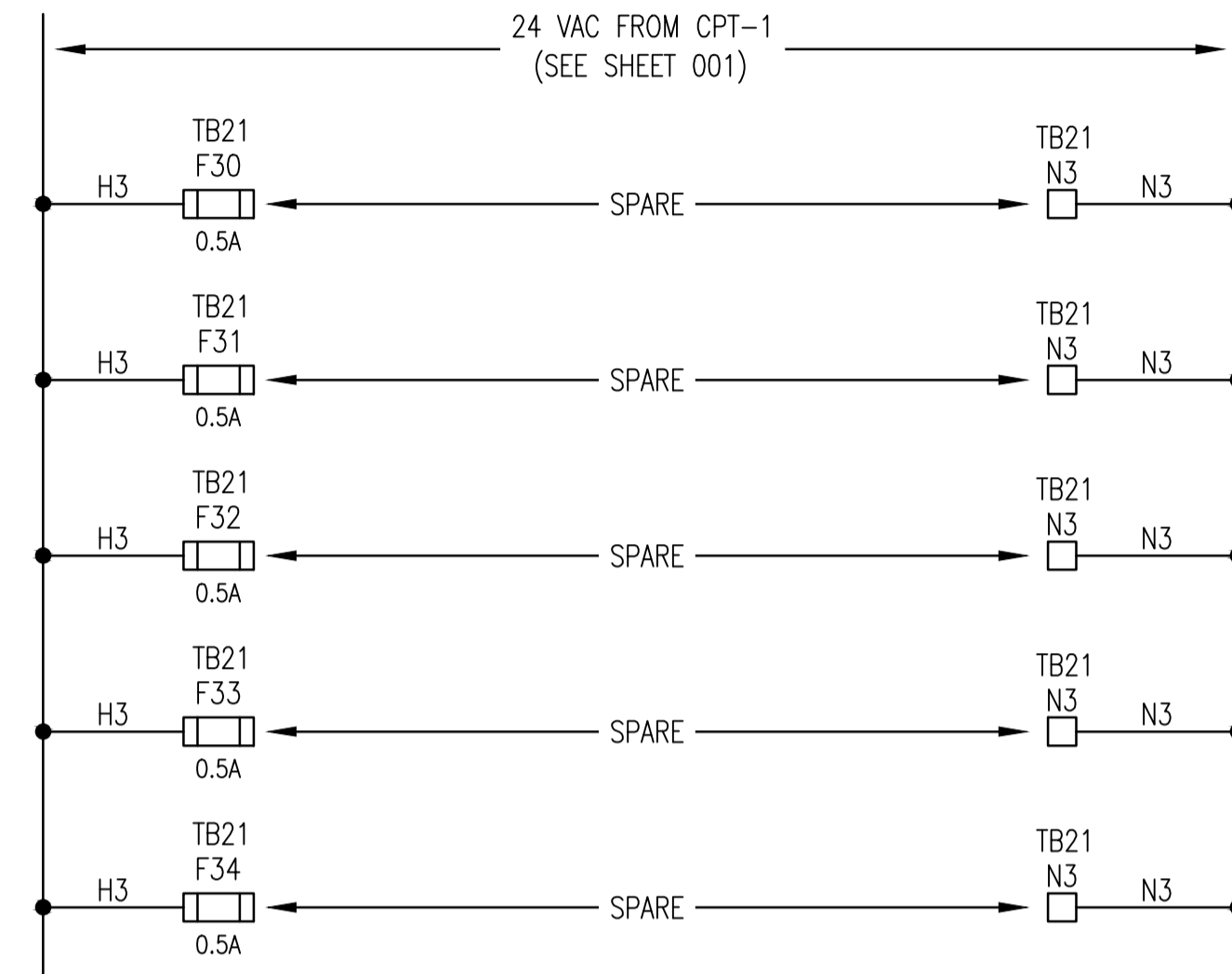


FUSE SCHEDULE			
TB	IDENTIFIER	SIZE	RATED CURRENT
TB20	F50	5x20mm	2A
	F51	5x20mm	0.5A
	F52	5x20mm	1A
	F53	5x20mm	0.5A
	F54	5x20mm	0.5A
	F55	5x20mm	0.5A
TB21	F30	5x20mm	0.5A
	F32	5x20mm	0.5A
TB22	F40	5x20mm	0.5A
	F41	5x20mm	0.5A
	F42	5x20mm	0.5A
	F43	5x20mm	0.5A
	F44	5x20mm	0.5A
	F45	5x20mm	0.5A
F46	5x20mm	0.5A	

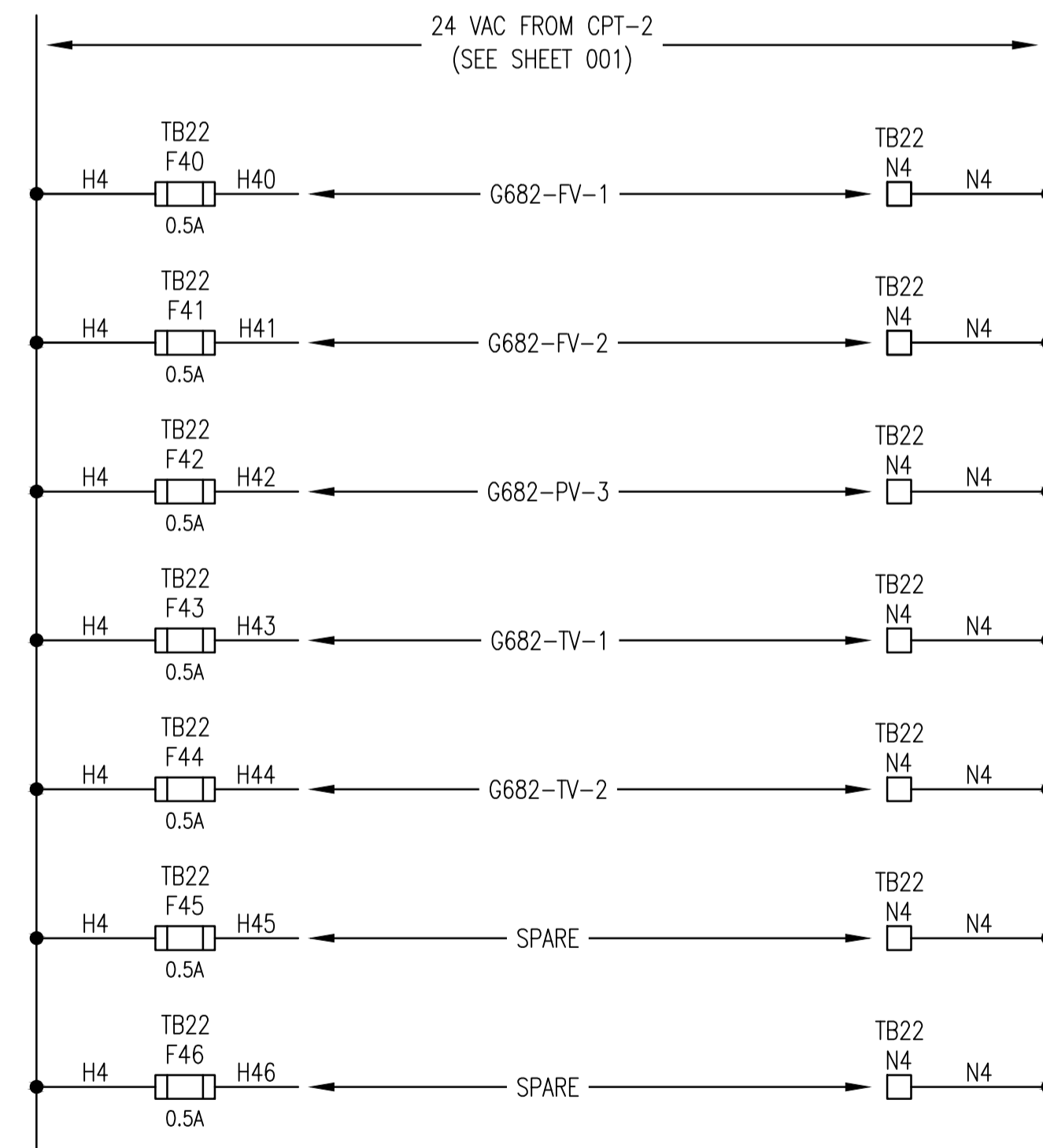
POWER CONSUMPTION SCHEDULE AT 24 VDC			
LOAD	QTY.	CURRENT (mA)	SUBTOTAL (mA)
DISCRETE INPUTS	64	3.5	224
DISCRETE OUTPUTS	8	50	400
DISCRETE OUTPUTS	8	9	72
ANALOG INPUTS	8	20	160
PLC-G11	1	1333	1333
NSW-LCP-G2	1	92	92
TOTAL			2281



TERMINAL LAYOUT TB20	
F50	
F51	
F52	
F53	
F54	
F55	
F56	
C1	
C1	
C1	
C1	
C1	
C1	



TERMINAL LAYOUT TB21	
F30	
F31	
F32	
F33	
F34	
N3	
N3	
N3	
N3	



TERMINAL LAYOUT TB22	
F40	
F41	
F42	
F43	
F44	
F45	
F46	
N4	
N4	
N4	
N4	
N4	
N4	



NO.	REVISIONS	DATE	DESIGN	CHECK
01	ISSUED FOR TENDER, BID OPP. 42-2013	2013/01/15	TMC	CJR
00	ISSUED FOR TENDER, BID OPP. 545-2012	2012/08/31	TMC	CJR

		SNC-LAVALIN INC. 148 Nature Park Way Winnipeg, MB, Canada R3P 0X7 204-786-8080		ENGINEER'S SEAL
DESIGNED BY:	T. CHURCH	CHECKED BY:	C. REIMER	
DRAWN BY:	M.J. PERSSON	APPROVED BY:	C. REIMER	
SCALE:	NTS	RELEASED FOR CONSTRUCTION BY:	N. HARRINGTON	
DATE:	2012/01/31	DATE:	2012/08/31	
CONSULTANT NO.:	112577-0116-48DD-0109			

THE CITY OF WINNIPEG
 WATER AND WASTE DEPARTMENT

SOUTH END WATER POLLUTION CONTROL CENTRE
 VENTILATION & MISC UPGRADES
 POWER DISTRIBUTION SCHEMATIC
 LCP-G2

CITY DRAWING NUMBER	SHEET	REV.	SIZE
1-0102G-A0108	002	01	A1