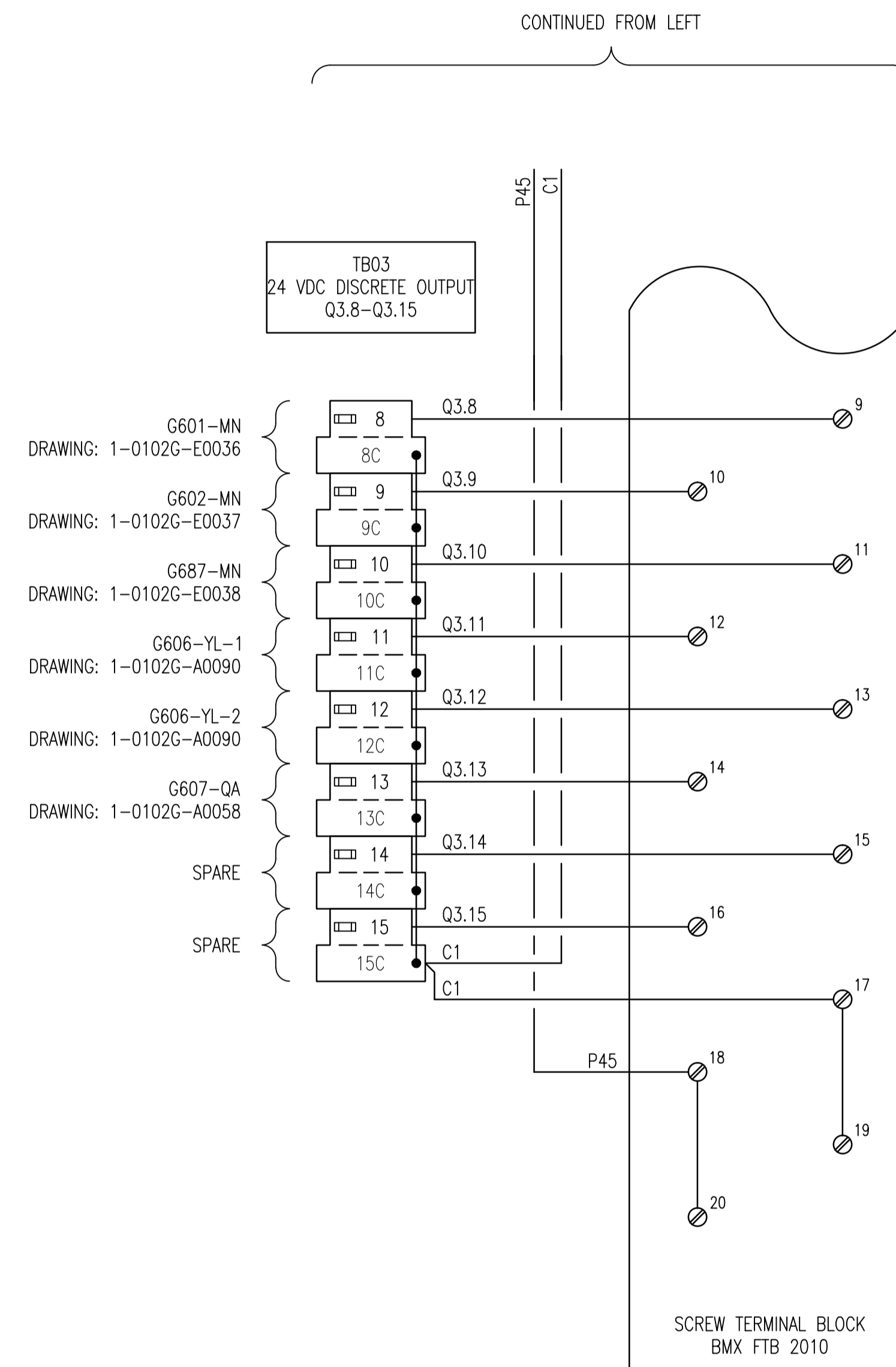
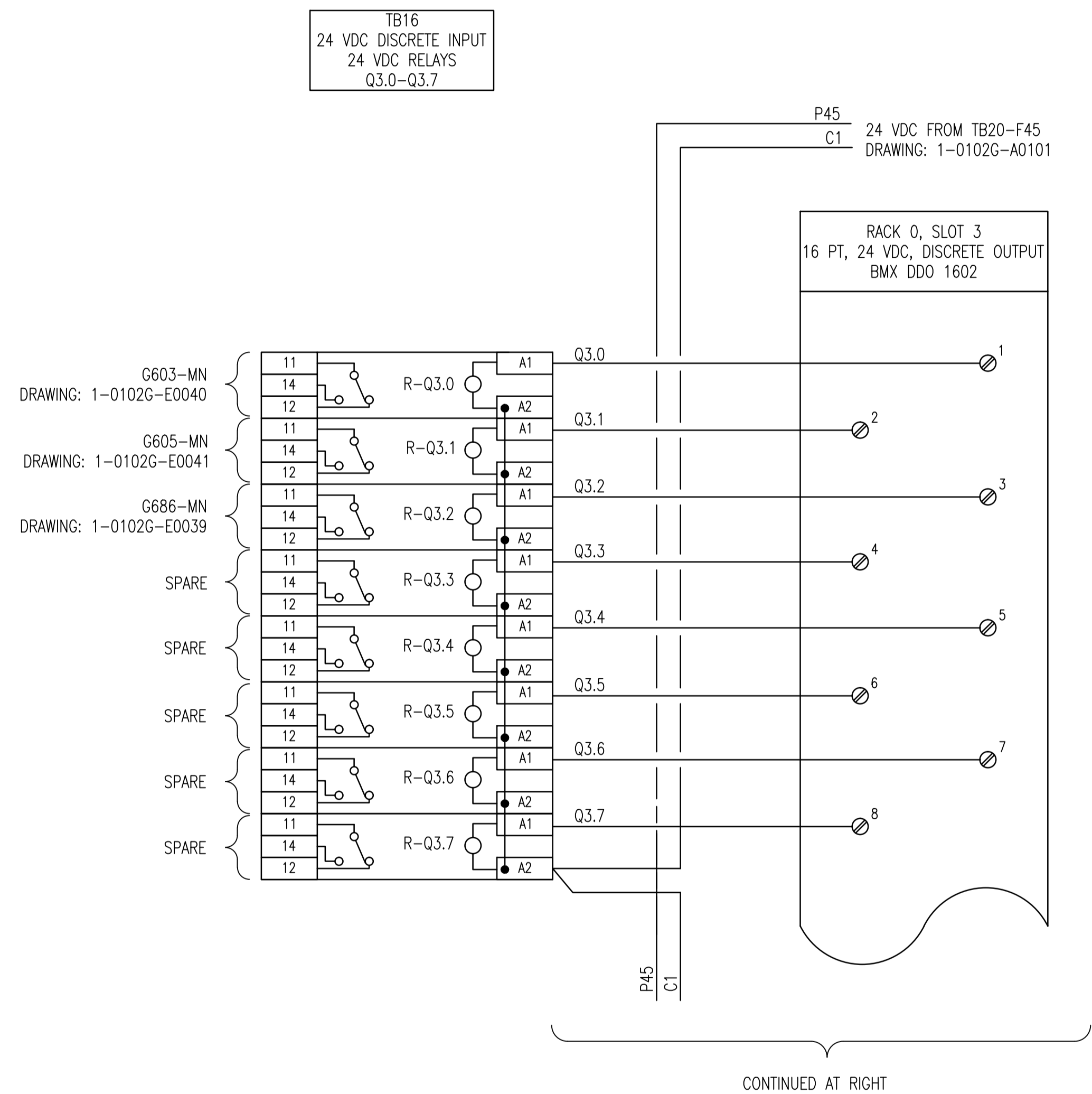


FUSE SCHEDULE			
TB	IDENTIFIER	SIZE	RATED CURRENT (A)
TB03	8	5x20mm	0.5
	9	5x20mm	0.5
	10	5x20mm	0.5
	11	5x20mm	0.5
	12	5x20mm	0.5
	13	5x20mm	0.5
	14	5x20mm	0.5
	15	5x20mm	0.5



DRAWING NUMBER	REFERENCE DRAWINGS



NO.	REVISIONS	DATE	DESIGN	CHECK
01	ISSUED FOR TENDER, BID OPP. 42-2013	2013/01/15	TMC	CJR
00	ISSUED FOR TENDER, BID OPP. 545-2012	2012/08/31	TMC	CJR

**SNC-LAVALIN INC.**  
 148 Nature Park Way  
 Winnipeg, MB, Canada R3P 0X7  
 204-786-8080

DESIGNED BY: T. CHURCH  
 CHECKED BY: C. REIMER  
 DRAWN BY: M.J. PERSSON  
 APPROVED BY: C. REIMER  
 SCALE: NTS  
 RELEASED FOR CONSTRUCTION BY: N. HARRINGTON  
 DATE: 2012/02/01  
 DATE: 2012/08/31  
 CONSULTANT NO.: 112577-0116-48DD-0104

ENGINEER'S SEAL

**THE CITY OF WINNIPEG**  
 WATER AND WASTE DEPARTMENT

SOUTH END WATER POLLUTION CONTROL CENTRE  
 VENTILATION & MISC. UPGRADES  
 WIRING DIAGRAM  
 LCP-G1 DISCRETE OUTPUTS

CITY DRAWING NUMBER	SHEET	REV.	SIZE
1-0102G-A0103	001	01	A1