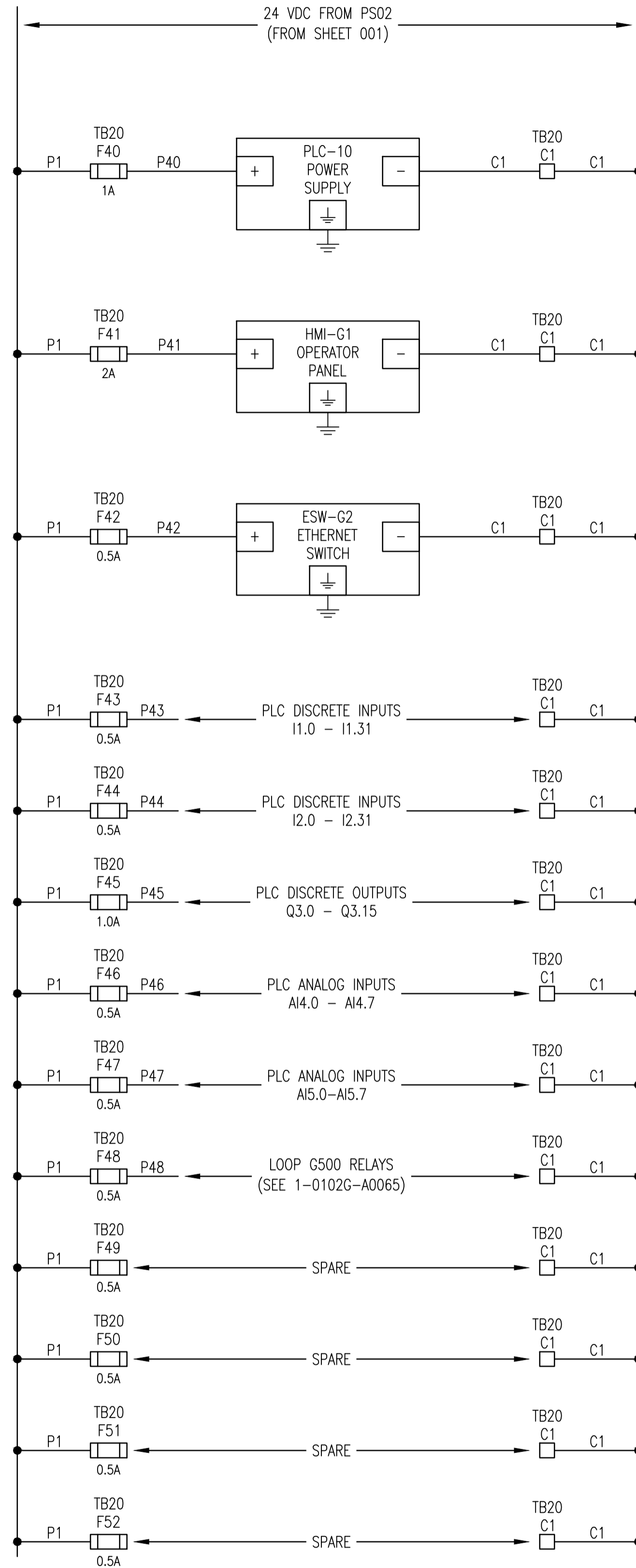


**FUSE SCHEDULE**

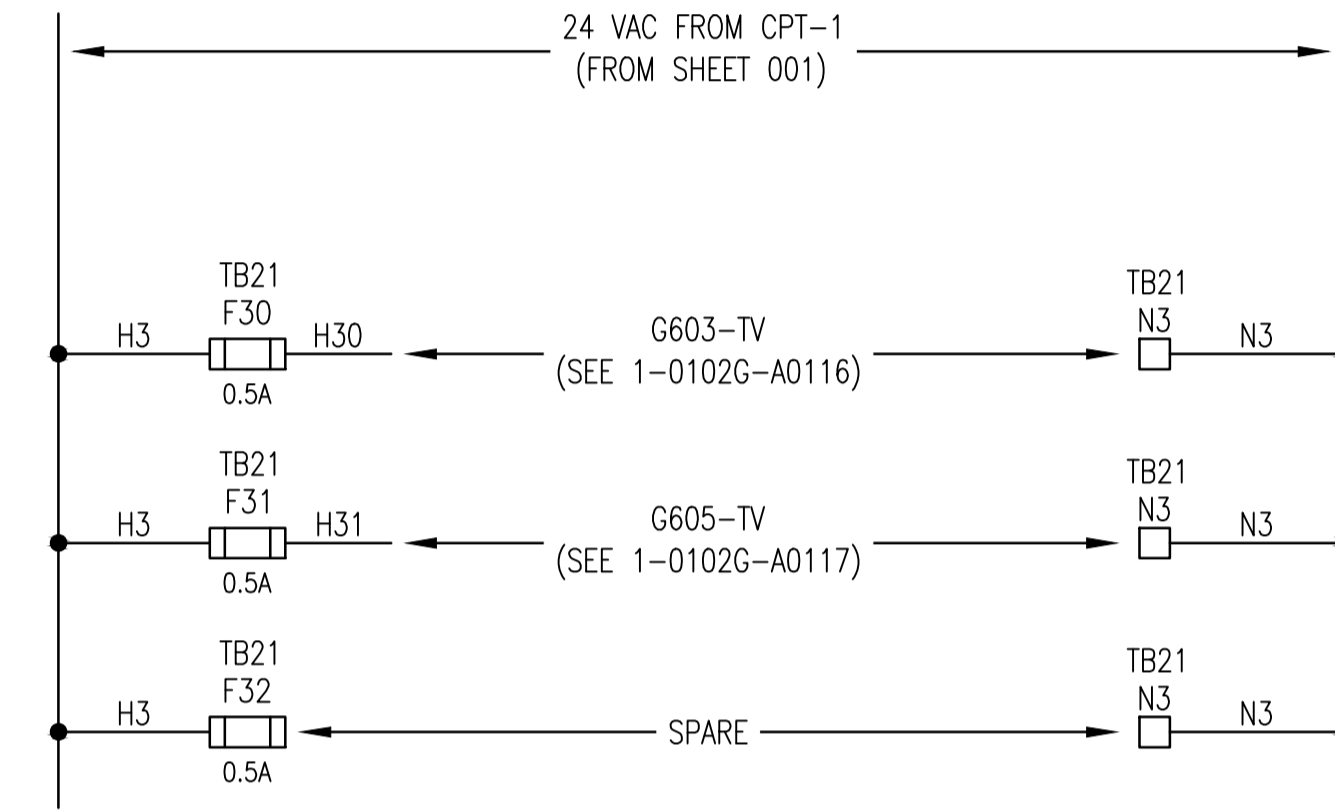
M	IDENTIFIER	SIZE	RATED CURRENT
TB20	F40	5x20mm	1A
	F41	5x20mm	2A
	F42	5x20mm	0.5A
	F43	5x20mm	0.5A
	F44	5x20mm	0.5A
	F45	5x20mm	1.0A
	F46	5x20mm	0.5A
	F47	5x20mm	0.5A
	F48	5x20mm	0.5A
	F49	5x20mm	0.5A
	F50	5x20mm	0.5A
	F51	5x20mm	0.5A
TB21	F30	5x20mm	0.5A
	F31	5x20mm	0.5A

**POWER CONSUMPTION SCHEDULE AT 24 VDC**

LOAD	QTY.	CURRENT (mA)	SUBTOTAL (mA)
DISCRETE INPUTS	64	3.5	224
DISCRETE OUTPUTS	8	9	72
DISCRETE OUTPUTS	8	50	400
ANALOG INPUTS	16	20	320
PLC-G10	1	708	708
HMI-G1	1	1250	1250
NSW-LCP-G1	1	92	92
MISC RELAYS	2	38	76
FLOW METERS	2	250	500
<b>TOTAL</b>			<b>3642</b>



- TERMINAL LAYOUT TB20
- F40
  - F41
  - F42
  - F43
  - F44
  - F45
  - F46
  - F47
  - F48
  - F49
  - F50
  - F51
  - F52
  - C1
  - C1
  - C1
  - C1
  - C1
  - C1
  - C1
  - C1
  - C1
  - C1
  - C1



- TERMINAL LAYOUT TB21
- F30
  - N3
  - ⊥ S
  - F31
  - N3
  - F32
  - N3
  - ⊥ S



NO.	REVISIONS	DATE	DESIGN	CHECK
01	ISSUED FOR TENDER, BID OPP. 42-2013	2013/01/15	TMC	CJR
00	ISSUED FOR TENDER, BID OPP. 545-2012	2012/08/31	TMC	CJR

		SNC-LAVALIN INC. 148 Nature Park Way Winnipeg, MB, Canada R3P 0X7 204-786-8090		ENGINEER'S SEAL
		DESIGNED BY: I. CHURCH	CHECKED BY: C. REIMER	
DRAWN BY: M.J. PERSSON		APPROVED BY: C. REIMER		SOUTH END WATER POLLUTION CONTROL CENTRE VENTILATION & MISC UPGRADES POWER DISTRIBUTION SCHEMATIC LCP-G1
SCALE: NTS		RELEASED FOR CONSTRUCTION BY: N. HARRINGTON DATE: 2012/08/31		
CONSULTANT NO.:		112577-0116-48DD-0102		CITY DRAWING NUMBER 1-0102G-A0101

 THE CITY OF WINNIPEG WATER AND WASTE DEPARTMENT			
SOUTH END WATER POLLUTION CONTROL CENTRE VENTILATION & MISC UPGRADES POWER DISTRIBUTION SCHEMATIC LCP-G1			
CITY DRAWING NUMBER	SHEET	REV.	SIZE
1-0102G-A0101	002	01	A1