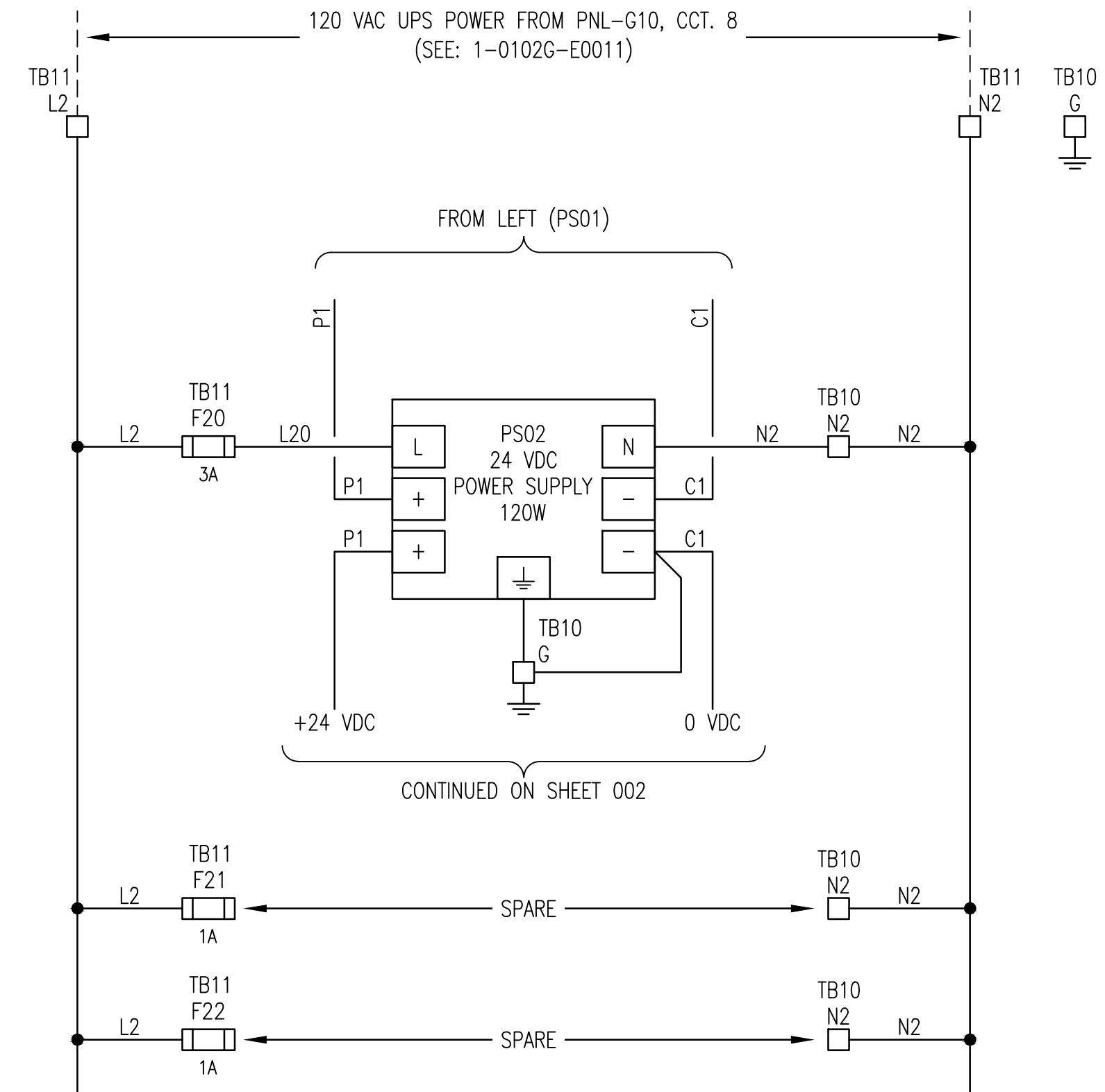
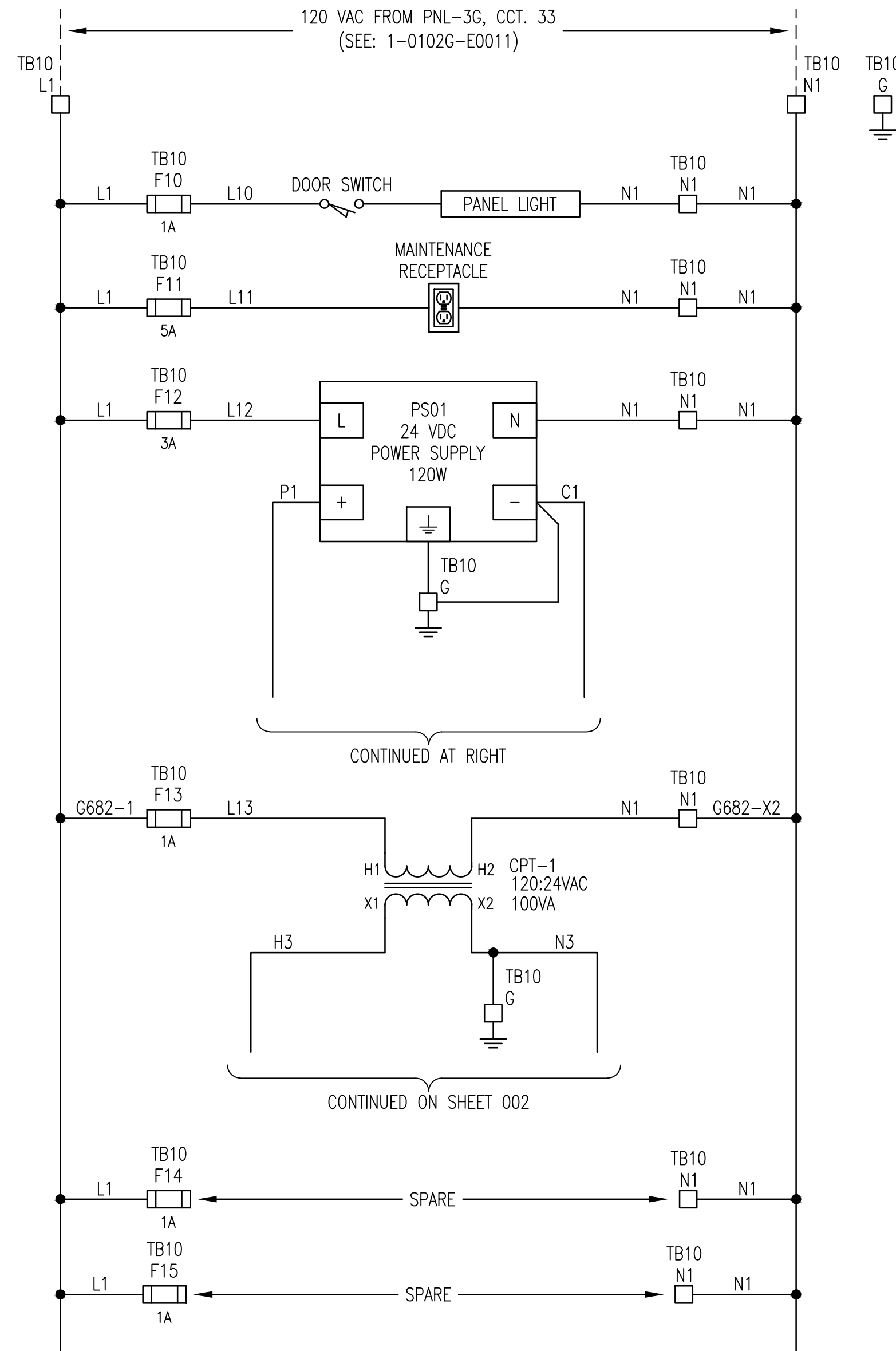


**NOTES:**  
 1. 24VDC POWER SUPPLIES TO BE CAPABLE OF PARALLEL OPERATION.

FUSE SCHEDULE			
TB	IDENTIFIER	SIZE	RATED CURRENT
TB10	F10	5x20mm	1A
	F11	5x20mm	5A
	F12	5x20mm	3A
	F13	5x20mm	1A
	F14	5x20mm	1A
TB11	F20	5x20mm	3A
	F21	5x20mm	1A
	F22	5x20mm	1A

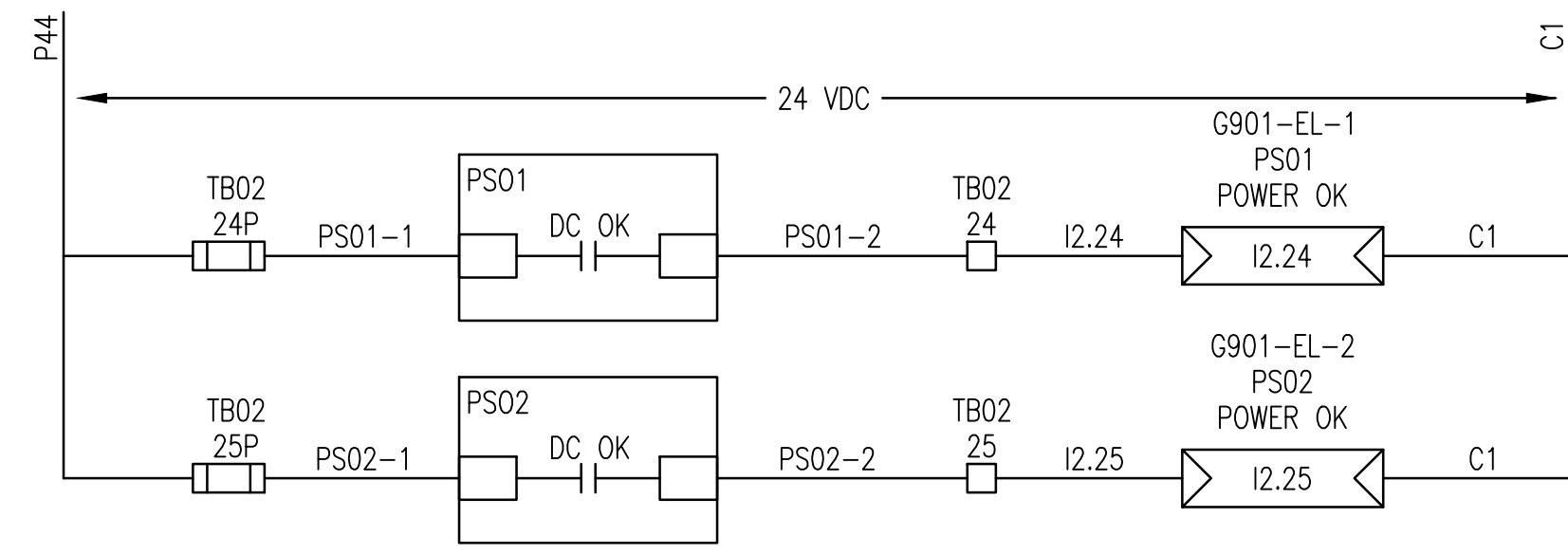
TERMINAL LAYOUT TB10

L1
N1
G
F10
F11
F12
F13
F14
F15
N1
N1
N1
N1
N1
N1



TERMINAL LAYOUT TB11

L2
N2
G
F20
F21
F22
N2
N2
N2



NO.	REVISIONS	DATE	DESIGN	CHECK
01	ISSUED FOR TENDER, BID OPP. 42-2013	2013/01/15	TMC	CJR
00	ISSUED FOR TENDER, BID OPP. 545-2012	2012/08/31	TMC	

**SNC-LAVALIN INC.**  
 148 Nature Park Way  
 Winnipeg, MB, Canada R3P 0X7  
 204-786-8080

DESIGNED BY: T. CHURCH  
 DRAWN BY: M.J. PERSSON  
 SCALE: NTS  
 DATE: 2012/01/31  
 CONSULTANT NO.: 112577-0116-48DD-0102

CHECKED BY: C. REIMER  
 APPROVED BY: C. REIMER  
 RELEASED FOR CONSTRUCTION BY: N. HARRINGTON  
 DATE: 2012/08/31

ENGINEER'S SEAL

**THE CITY OF WINNIPEG**  
 WATER AND WASTE DEPARTMENT

SOUTH END WATER POLLUTION CONTROL CENTRE  
 VENTILATION & MISC UPGRADES  
 POWER DISTRIBUTION SCHEMATIC  
 LCP-G1

CITY DRAWING NUMBER	SHEET	REV.	SIZE
1-0102G-A0101	001	01	A1