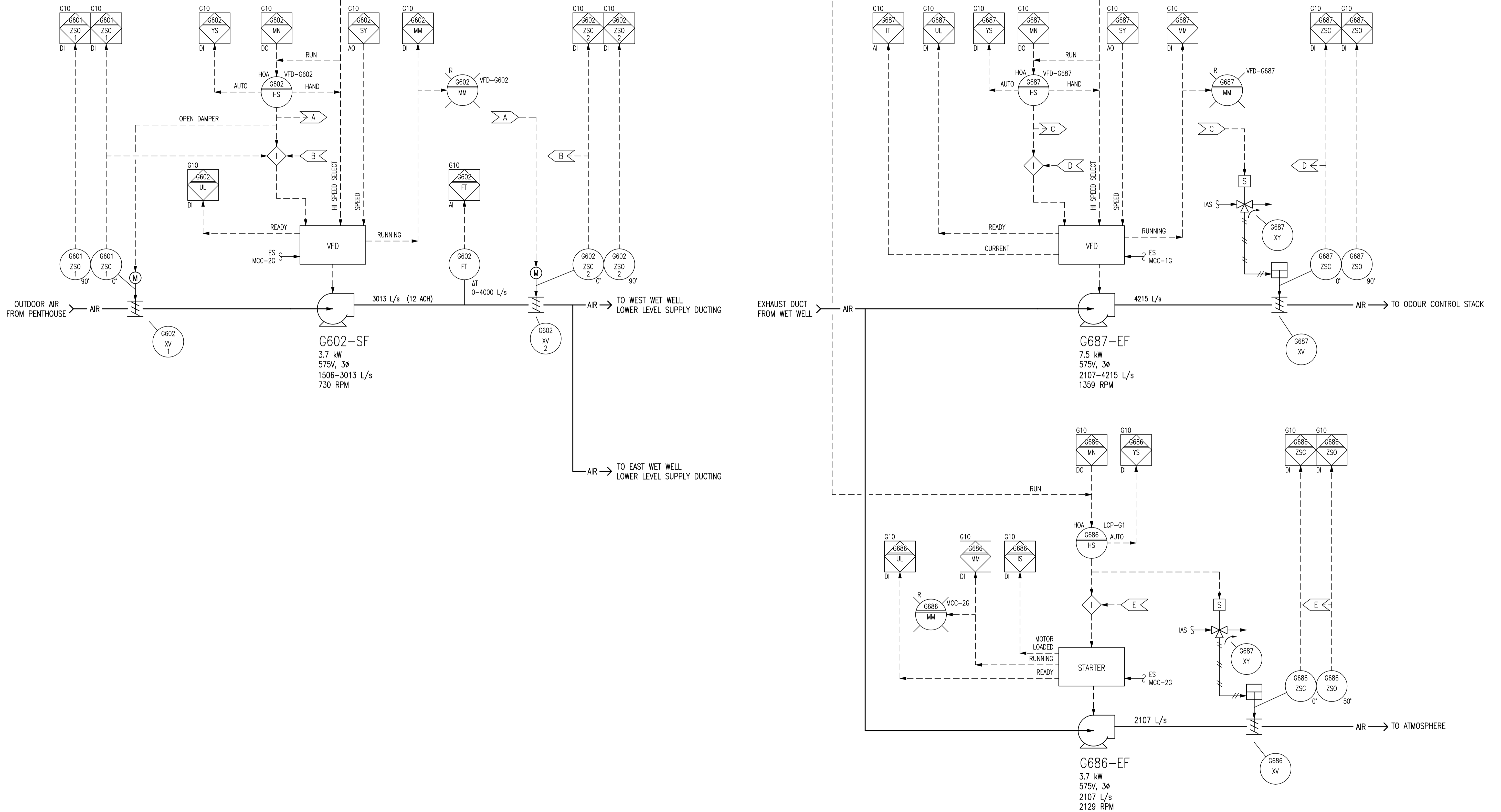


GAS DETECTION ALARM
1-0102G-A0071



NOTES:

1. THE DRAWING SUPERCEDES 1-0102G-A0029.
2. VFD FOR G602-SF AND G687-EF TO RAMP UP AT A RATE OF 1Hz/sec AFTER DAMPERS CRACK OPEN.

| | |
|----------------|--|
| 1-0102G-A0093 | P & ID, WET WELL VENTILATION |
| 1-0102A-A0001 | PROCESS & INSTRUMENT DIAGRAMS LEGEND & DETAILS |
| DRAWING NUMBER | REFERENCE DRAWINGS |



| NO. | REVISIONS | DATE | DESIGN | CHECK |
|-----|--------------------------------------|------------|--------|-------|
| 01 | ISSUED FOR TENDER, BID OPP. 42-2013 | 2013/01/15 | TMC | CJR |
| 00 | ISSUED FOR TENDER, BID OPP. 545-2012 | 2012/11/21 | TMC | CJR |

| | |
|---|--|
| <p>SNC-LAVALIN INC. 148 Nature Park Way Winnipeg, MB, Canada R3P 0X7 204-786-8080</p> | |
| DESIGNED BY: I. CHURCH | CHECKED BY: C. REIMER |
| DRAWN BY: M.J. PERSSON | APPROVED BY: C. REIMER |
| SCALE: NTS | RELEASED FOR CONSTRUCTION BY: N. HARRINGTON |
| DATE: 2012/01/16 | DATE: 2012/10/11 |
| CONSULTANT NO.: 112577-0116-49DD-0132 | |

| |
|-----------------|
| ENGINEER'S SEAL |
|-----------------|

THE CITY OF WINNIPEG
WATER AND WASTE DEPARTMENT

SOUTH END WATER POLLUTION CONTROL CENTRE
PUMP & SCREEN BUILDING
PROCESS & INSTRUMENTATION DIAGRAM
WET WELL SUPPLY AND EXHAUST FANS
G602-SF, G686-EF & G687-EF

| | | | |
|---------------------|-------|------|------|
| CITY DRAWING NUMBER | SHEET | REV. | SIZE |
| 1-0102G-A0095 | 001 | 01 | A1 |