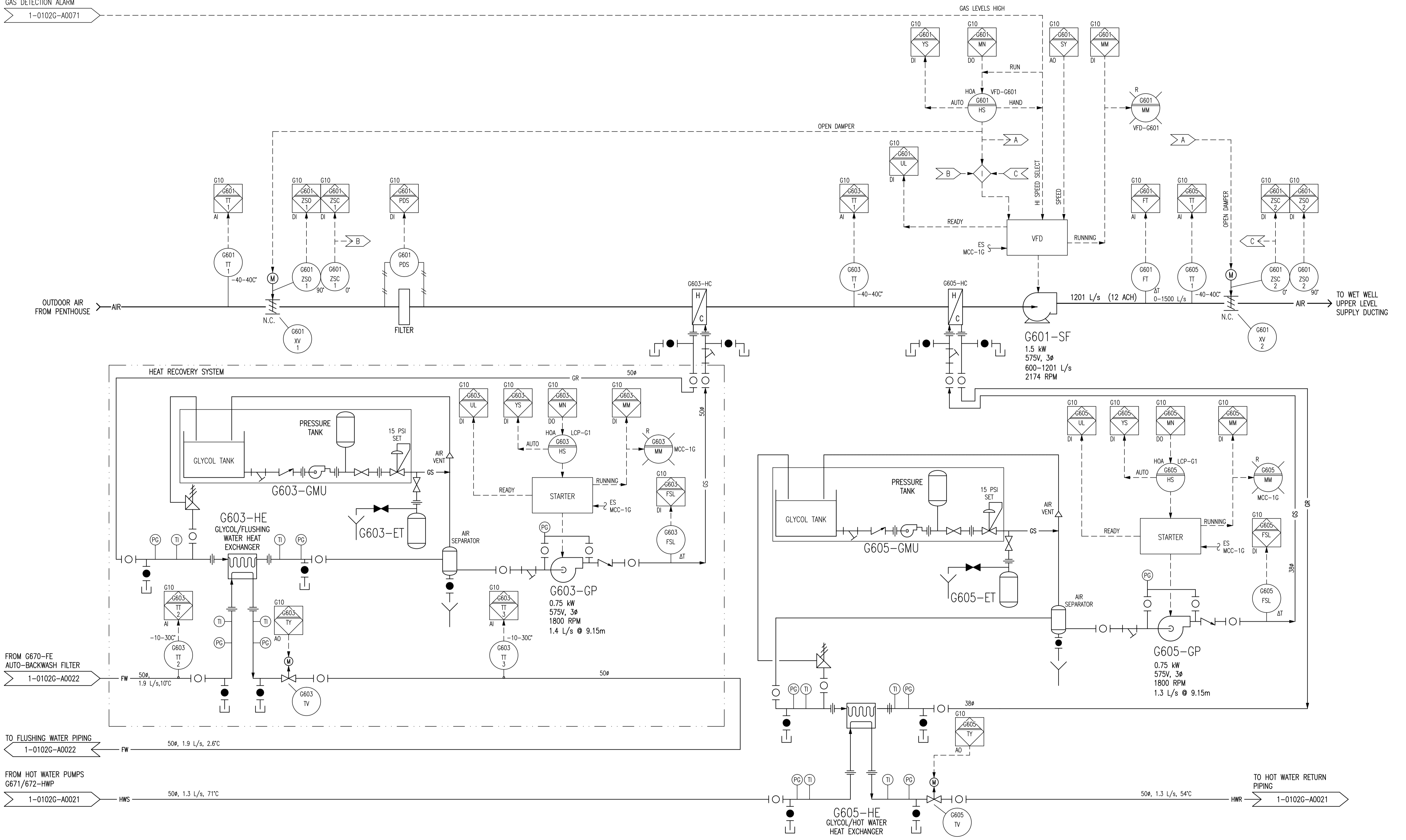


A1 SIZE - 594mm x 841mm
 LAST SAVE: 2013/01/15 - 12:13pm
 PATH: M:\112577\0116\4ENG\488&C\DD - General DWG\1-0102G-A0094-001-01.dwg

GAS DETECTION ALARM
1-0102G-A0071



- NOTES:**
- ALL DEVICES SHOWN IN AN AUXILIARY LOCATION ARE IN A LOCAL CONTROL PANEL, UNLESS INDICATED OTHERWISE.
 - VFD TO RAMP UP AT A RATE OF 1Hz/sec AFTER DAMPERS CRACK OPEN.



NO.	REVISIONS	DATE	DESIGN	CHECK
01	ISSUED FOR TENDER, BID OPP. 42-2013	2013/01/15	TMC	CJR
00	ISSUED FOR TENDER, BID OPP. 545-2012	2012/11/21	TMC	CJR

		SNC-LAVALIN INC. 148 Nature Park Way Winnipeg, MB, Canada R3P 0X7 204-798-8080	
DESIGNED BY:	T. CHURCH	CHECKED BY:	C. REIMER
DRAWN BY:	M.J. PERSSON	APPROVED BY:	C. REIMER
SCALE:	NTS	RELEASED FOR CONSTRUCTION BY:	N. HARRINGTON
DATE:	2012/01/16	DATE:	2012/10/11
CONSULTANT NO.:	112577-0116-49DD-0194		

ENGINEER'S SEAL

THE CITY OF WINNIPEG
 WATER AND WASTE DEPARTMENT

SOUTH END WATER POLLUTION CONTROL CENTRE
 VENTILATION & MISC UPGRADES
 PROCESS & INSTRUMENT DIAGRAM
 WET WELL UPPER LEVEL HVAC
 G601-SF

CITY DRAWING NUMBER: 1-0102G-A0094
 SHEET: 001
 REV: 01
 SIZE: A1

1-0102G-A0093	P & ID, WET WELL VENTILATION
1-0102A-A0001	PROCESS & INSTRUMENT DIAGRAMS LEGEND & DETAILS
DRAWING NUMBER	REFERENCE DRAWINGS