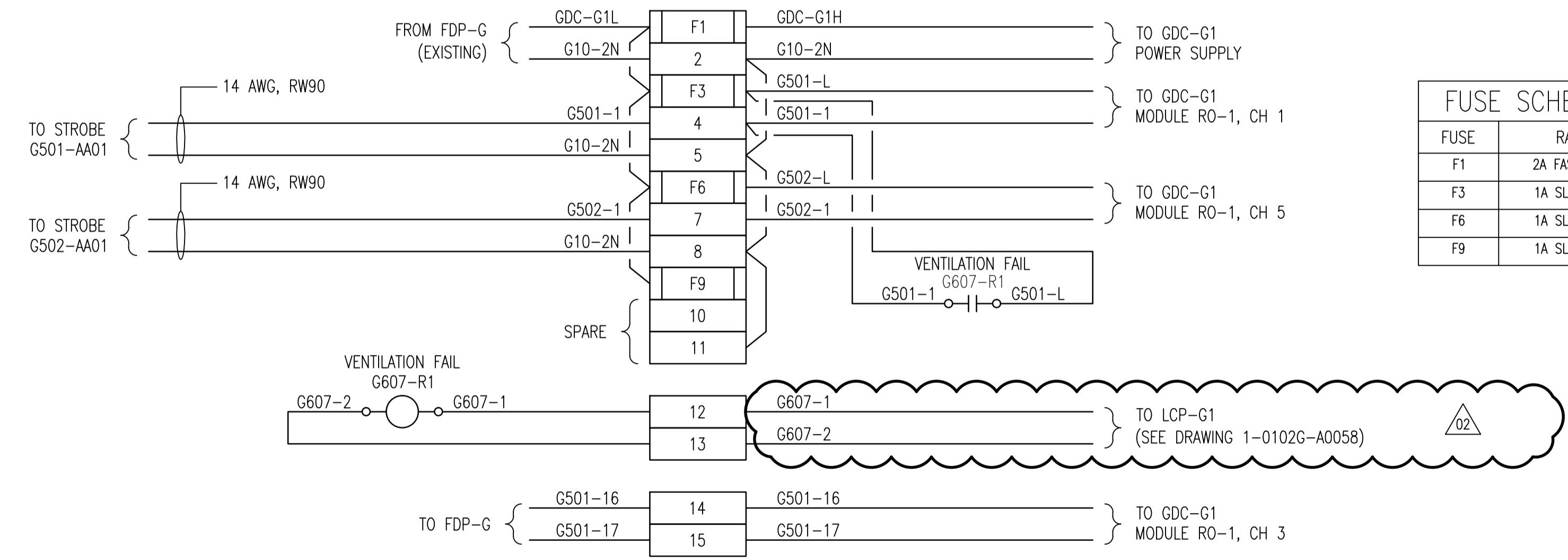


FRONT COVER VIEW
SCALE: 1 : 2

INSIDE VIEW
SCALE: 1 : 2

BILL OF MATERIAL				
ITEM	QTY.	DESCRIPTION	MANUFACTURER	CATALOG NO.
1	1	NEMA 4 ENCL., HINGED DOOR - 305x254x127 (12"x10"x5")	HOFFMAN	A1210CHNF
2	1	BACK PLATE FOR ITEM 1	HOFFMAN	A12P10
3	9	SAK 4/35 TERMINAL BLOCK	WEIDMULLER	0443660000
	AS REQ.	TERMINAL BLOCK END PLATE	WEIDMULLER	0117960000
	AS REQ.	TERMINAL MARKER	WEIDMULLER	468260000
4	AS REQ.	PHENOLIC TYPE NAMEPLATE C/W 6.35mm (1/4") LETTERING & 3.17mm (1/8") LETTERING		
5	4	TERMINAL END HOLDER	WEIDMULLER	0383560000
6	AS REQ.	MOUNTING RAIL	WEIDMULLER	0383400000
7	1	FUSE TERMINAL, 120 VAC, LED, C/W 2A FUSE	WEIDMULLER	0225560000
8	3	FUSE TERMINAL, 120 VAC, LED, C/W 1A FUSE	WEIDMULLER	0225560000
9	AS REQ.	FUSE TERMINAL END PLATE	WEIDMULLER	0380360000
10	1	RELAY, PLUG IN, SPDT 24 VDC	OMRON	G2R-1-SDN 24 VDC (S)
11	1	RELAY SOCKET, SCREEN TERMINALS	OMRON	P2RF-05-E
12	1	GROUND BAR, 7 TAPS	ILSCO	D167-7
13	1	ARC FLASH STICKER OR LAMACOID	-	-
14	AS REQ.	WIRE DUCT, NARROW SLOT, 32x53.8mm	PANDUIT	FIX2LG6 C1LG6

WIRING DIAGRAM:



FUSE	RATING
F1	2A FAST ACTING
F3	1A SLOW BLOW
F6	1A SLOW BLOW
F9	1A SLOW BLOW

NOTES:

- LABEL ALL TERMINAL BLOCKS, COMPONENTS AND WIRES AS SHOWN ON THE DRAWINGS.
- SUPPLY AND INSTALL ALL REQUIRED FUSES.
- JUNCTION BOX IS TO BE CONSTRUCTED BY A PANEL SHOP AND BE CSA CERTIFIED.
- ALL INTERNAL WIRING TO BE 14 AWG, TEW/MTW 600V, 105°C INSULATION, STRANDED COPPER.



NO.	REVISIONS	DATE	DESIGN	CHECK
02	ADDED LCP-G1 CONNECTION, BID OPP. 42-2013	2013/01/15	TMC	CJR
01	ADDED LCP-G1 CONNECTION, BID OPP. 545-2012	2012/08/31	TMC	CJR
00	ISSUED FOR TENDER, BID OPP. 209-2011	2011/03/11	TMC	CJR

SNC-LAVALIN INC.
148 Nature Park Way
Winnipeg, MB, Canada R3P 0X7
204-786-8080

DESIGNED BY: T. CHURCH
CHECKED BY: C. REIMER
DRAWN BY: S. COATES
APPROVED BY: C. REIMER

SCALE: AS SHOWN
RELEASED FOR CONSTRUCTION BY: N. HARRINGTON
DATE: 2009/10/23
DATE: 2011/03/11

CONSULTANT NO.: 112577-0106-480D-1206

THE CITY OF WINNIPEG
WATER AND WASTE DEPARTMENT

SOUTH END WATER POLLUTION CONTROL CENTRE
ESSENTIAL SYSTEM UPGRADES
JUNCTION BOX LAYOUT
JBA-GDC-G1

CITY DRAWING NUMBER: 1-0102G-A0051
SHEET: 001
REV.: 02
SIZE: A1