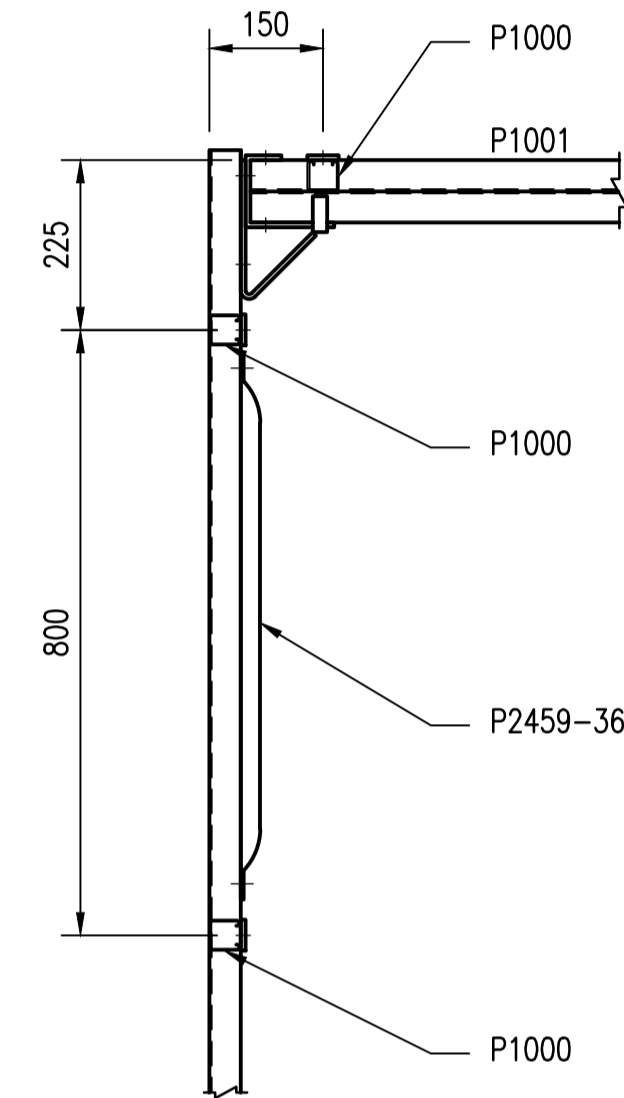
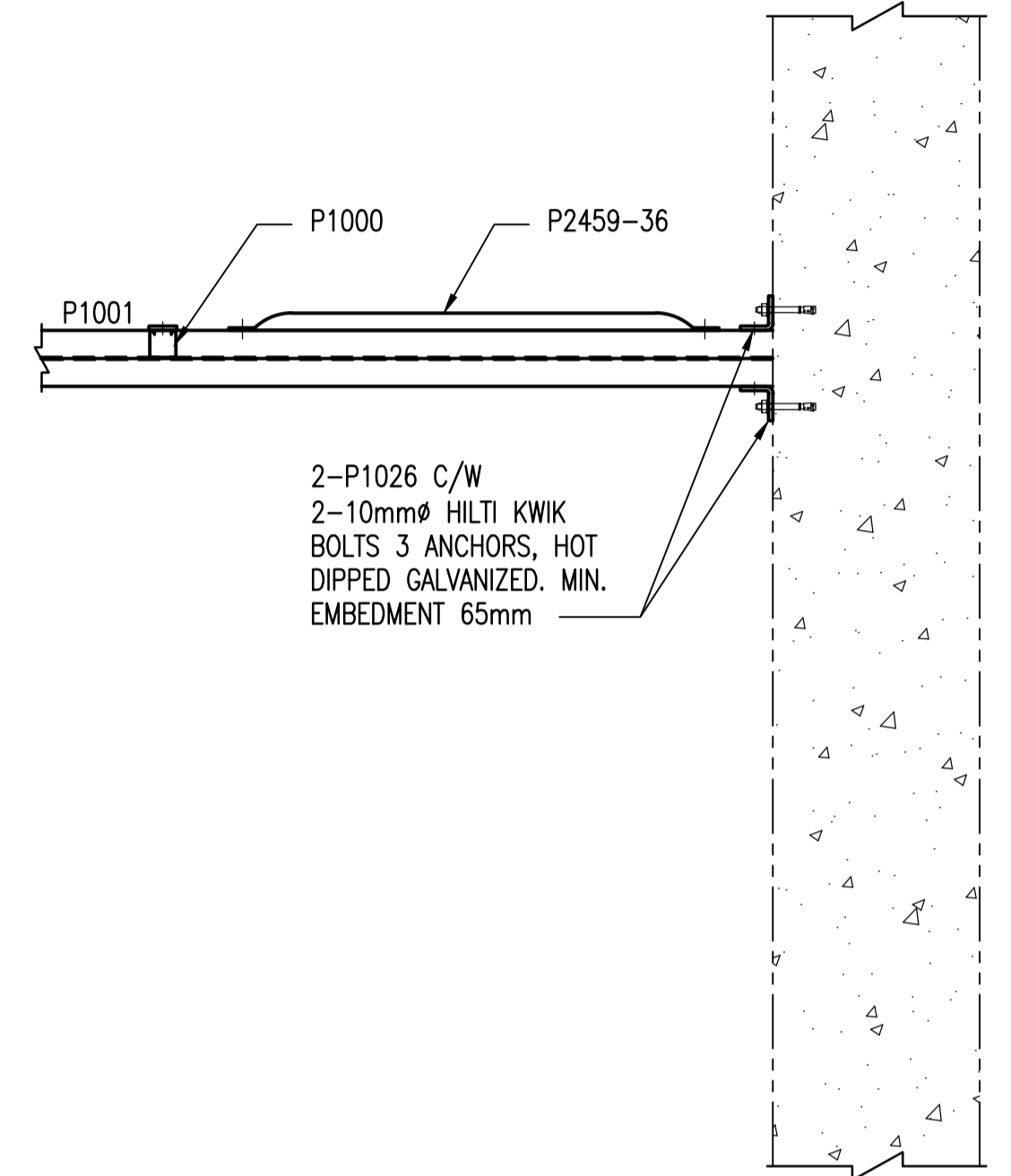


PLAN

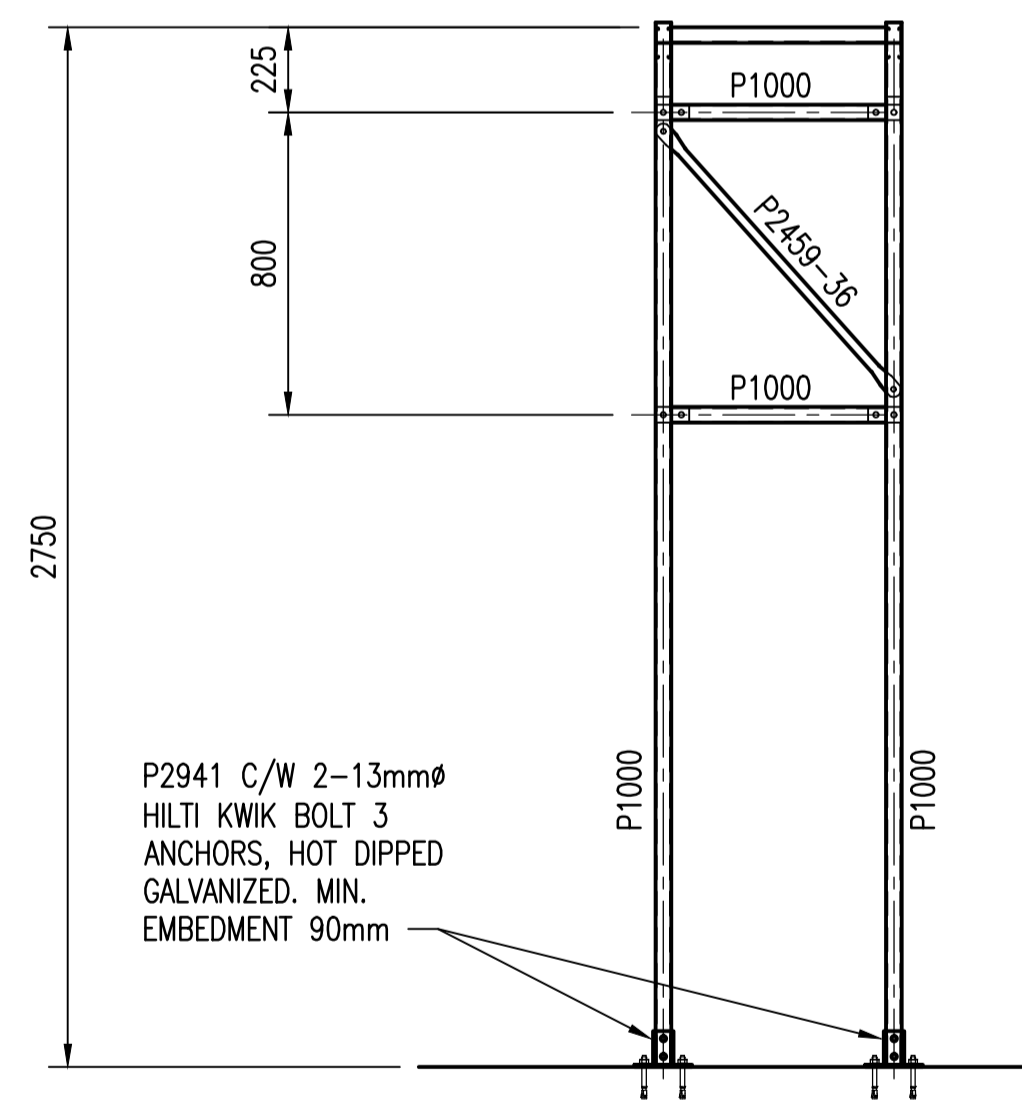
- NOTES:
1. USE P1000 SERIES UNISTRUT CHANNELS AS INDICATED (12 GA. ASTM A1011, GRADE 33)
 2. HOT DIP GALVANIZED FINISH TO ASTM A123.
 3. CONNECTION CLIPS NOT INDICATED USE CLIPS AS PER UNISTRUT GUIDE. ALL CONNECTIONS TO USE 12.7mm ϕ BOLTS.



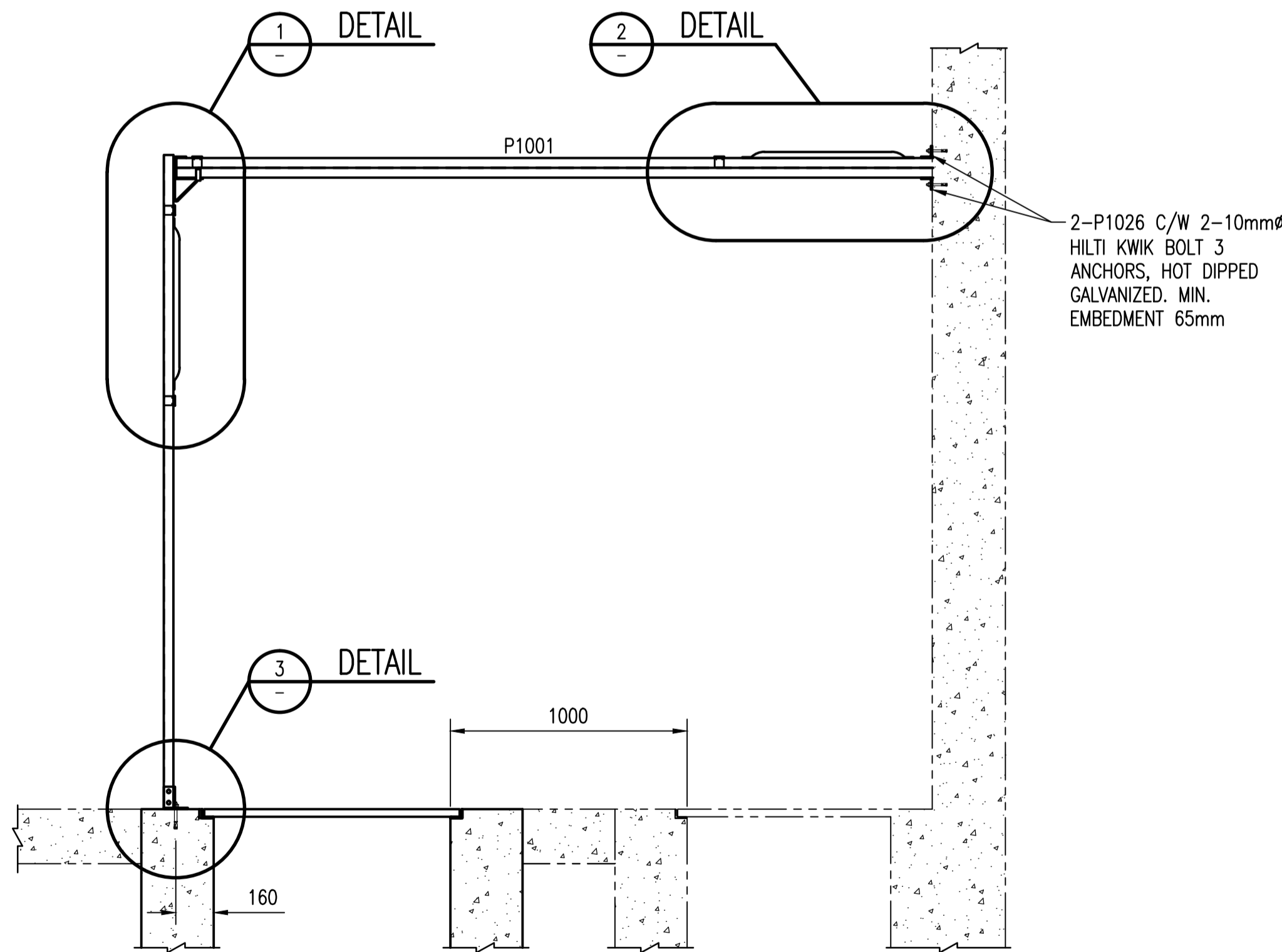
1 DETAIL
1:10



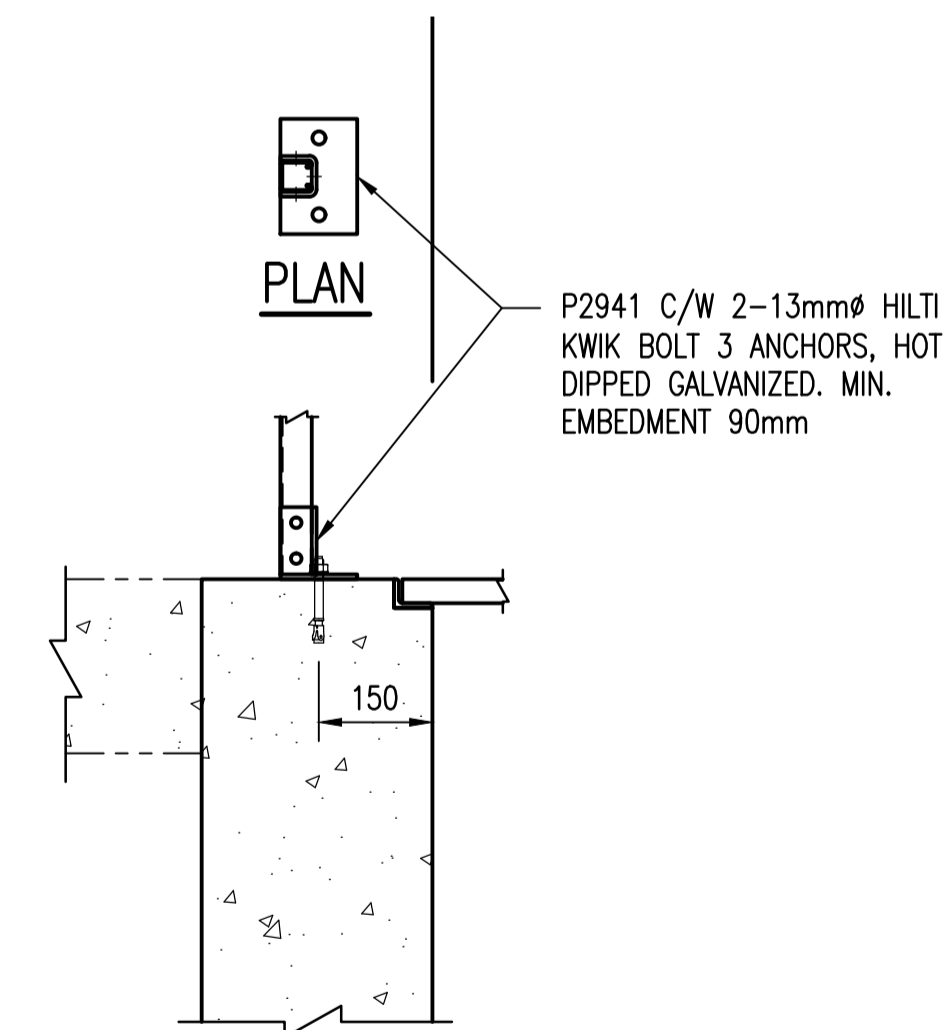
2 DETAIL
1:10



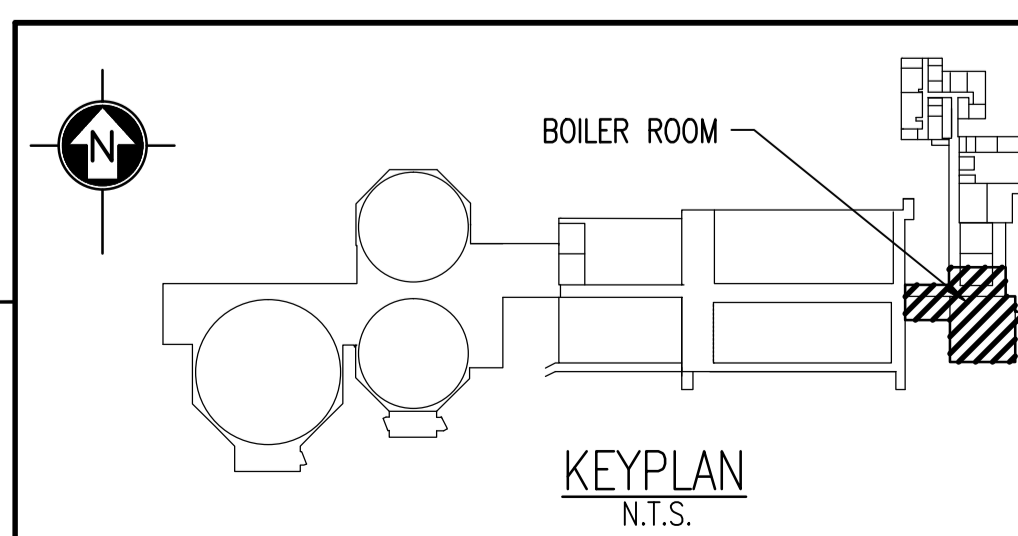
ELEVATION



SIDE ELEVATION



3 DETAIL
1:10



NO.	REVISIONS	DATE	DESIGN	CHECK
01	ISSUED FOR TENDER, BID OPP. 42-2013	2013/01/15	KK	RB
00	ISSUED FOR TENDER, BID OPP. 545-2012	2012/10/15	KK	RB

 SNC-LAVALIN INC. 148 Nature Park Way Winnipeg, MB, Canada R3P 0X7 204-786-8080	
DESIGNED BY: K. KOTYK	CHECKED BY: R. BEAN
DRAWN BY: K. McINTOSH	APPROVED BY: C. REIMER
SCALE: 1:20 U.N.	RELEASED FOR CONSTRUCTION BY: N. HARRINGTON
DATE: 2012/05/15	DATE: 2012/09/10
CONSULTANT NO.: 112577-0116-42DD-0003	

ENGINEER'S SEAL
 ORIGINAL DRAWING
 SEALED BY:
 K. K. KOTYK
 SNC-LAVALIN
 MEMBER #21950
 2012/10/18
 REV. 00

THE CITY OF WINNIPEG
 WATER AND WASTE DEPARTMENT
 SOUTH END WATER POLLUTION CONTROL CENTRE
 VENTILATION & MISC. UPGRADE
 PLAN, ELEVATIONS & DETAILS
 PIPE RACK OVER SUMP PITS
 CITY DRAWING NUMBER: 1-0102B-S0003
 SHEET: 001
 REV: 01
 SIZE: A1