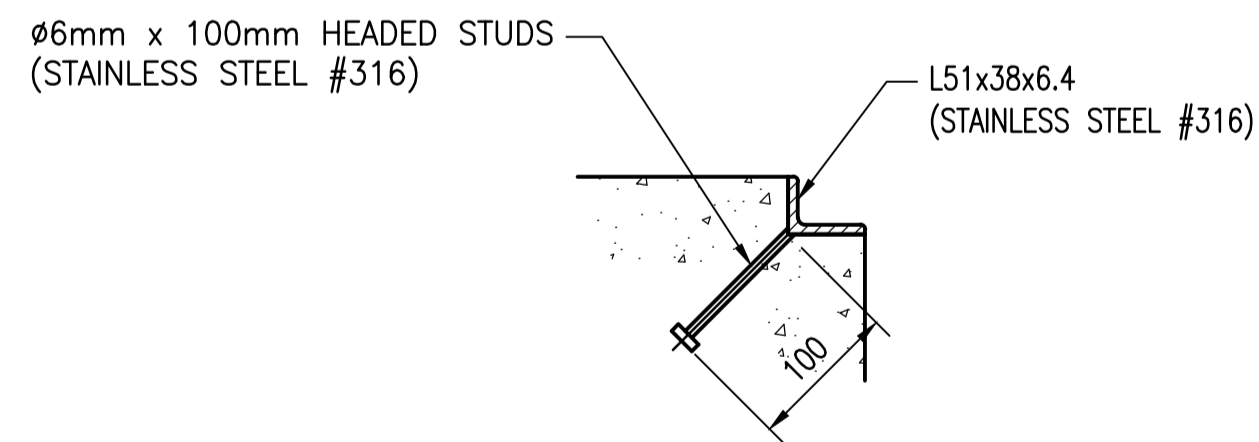
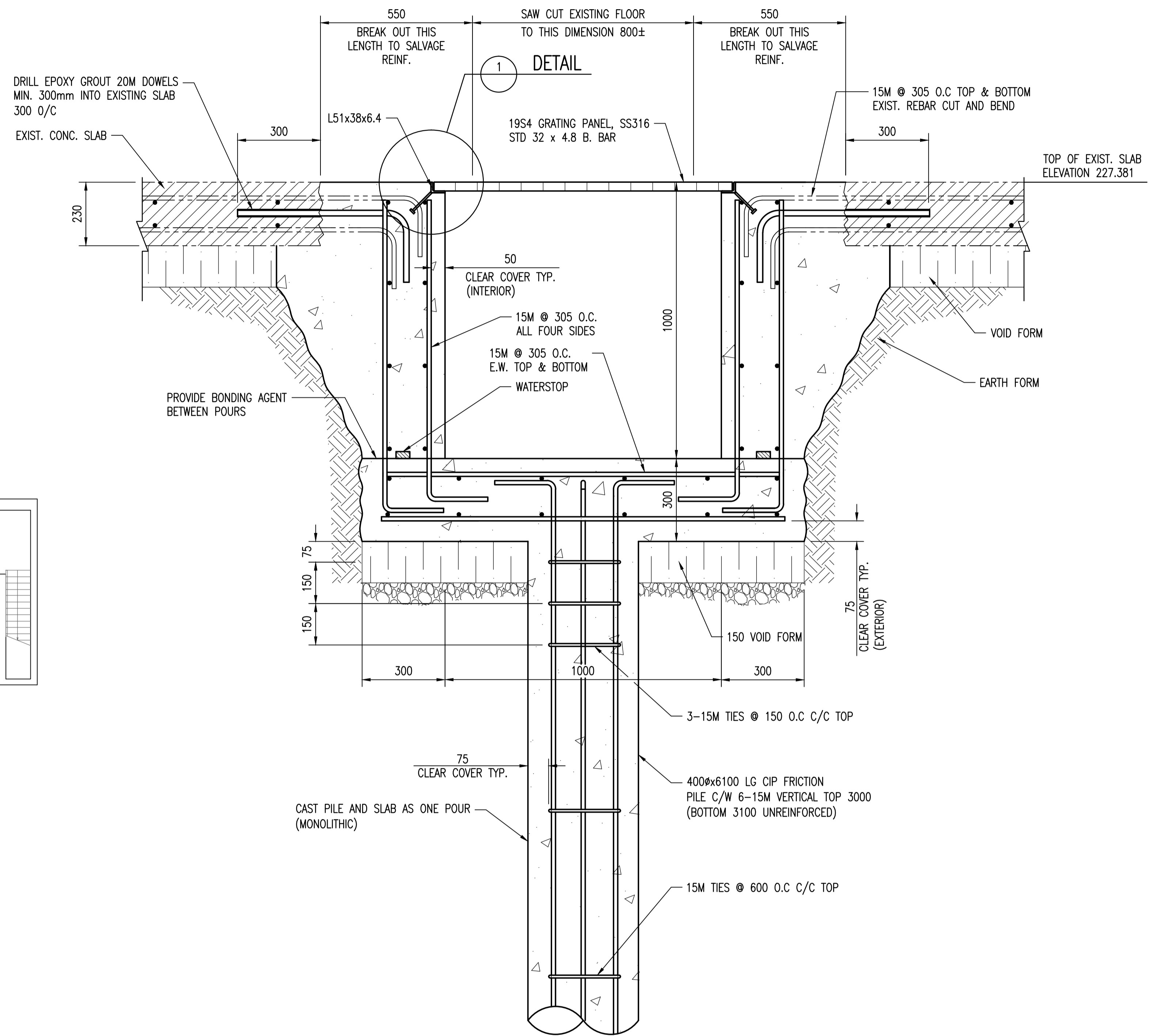


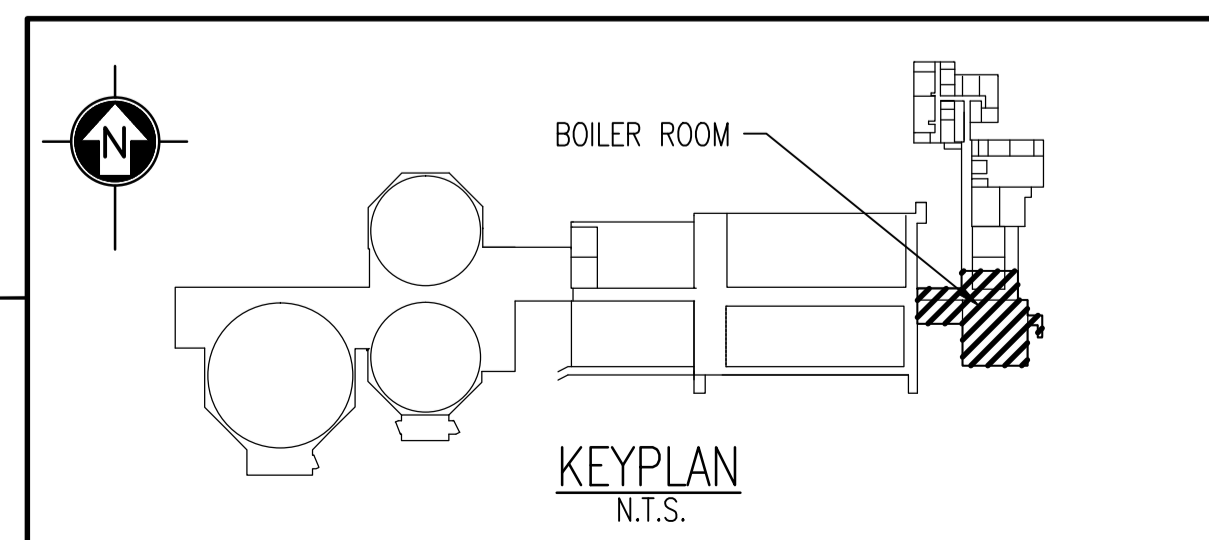
**PARTIAL BASEMENT FLOOR PLAN AT ELEVATION 227.381**  
SCALE: 1 : 100



**1** DETAIL - GRATING SUPPORT ANGLE  
SCALE: 1 : 5



**A** SECTION  
SCALE: 1 : 10



NO.	REVISIONS	DATE	DESIGN	CHECK
01	ISSUED FOR TENDER, BID OPP. 42-2013	2013/01/15	KK	RB
00	ISSUED FOR TENDER, BID OPP. 545-2012	2012/10/15	KK	RB

SNC-LAVALIN INC. 148 Nature Park Way Winnipeg, MB, Canada R3P 0X7 204-798-8090	
DESIGNED BY: K. KOTYK	CHECKED BY: R. BEAN
DRAWN BY: M. TUGADE	APPROVED BY: C. REIMER
SCALE: AS NOTED	RELEASED FOR CONSTRUCTION BY: N. HARRINGTON
DATE: 2012/04/25	DATE: 2012/09/10
CONSULTANT NO.: 112577-0116-42DD-0002	

ENGINEER'S SEAL  
ORIGINAL DRAWING  
SEALED BY:  
K. K. KOTYK  
SNC-LAVALIN  
MEMBER #21950  
2012/10/18  
REV. 00

**THE CITY OF WINNIPEG**  
WATER AND WASTE DEPARTMENT

SOUTH END WATER POLLUTION CONTROL CENTRE  
VENTILATION & MISC. UPGRADES  
PLAN, SECTION AND DETAIL  
BOILER ROOM BACKUP SUMP PIT

CITY DRAWING NUMBER	SHEET	REV.	SIZE
1-0102B-S0002	001	01	A1