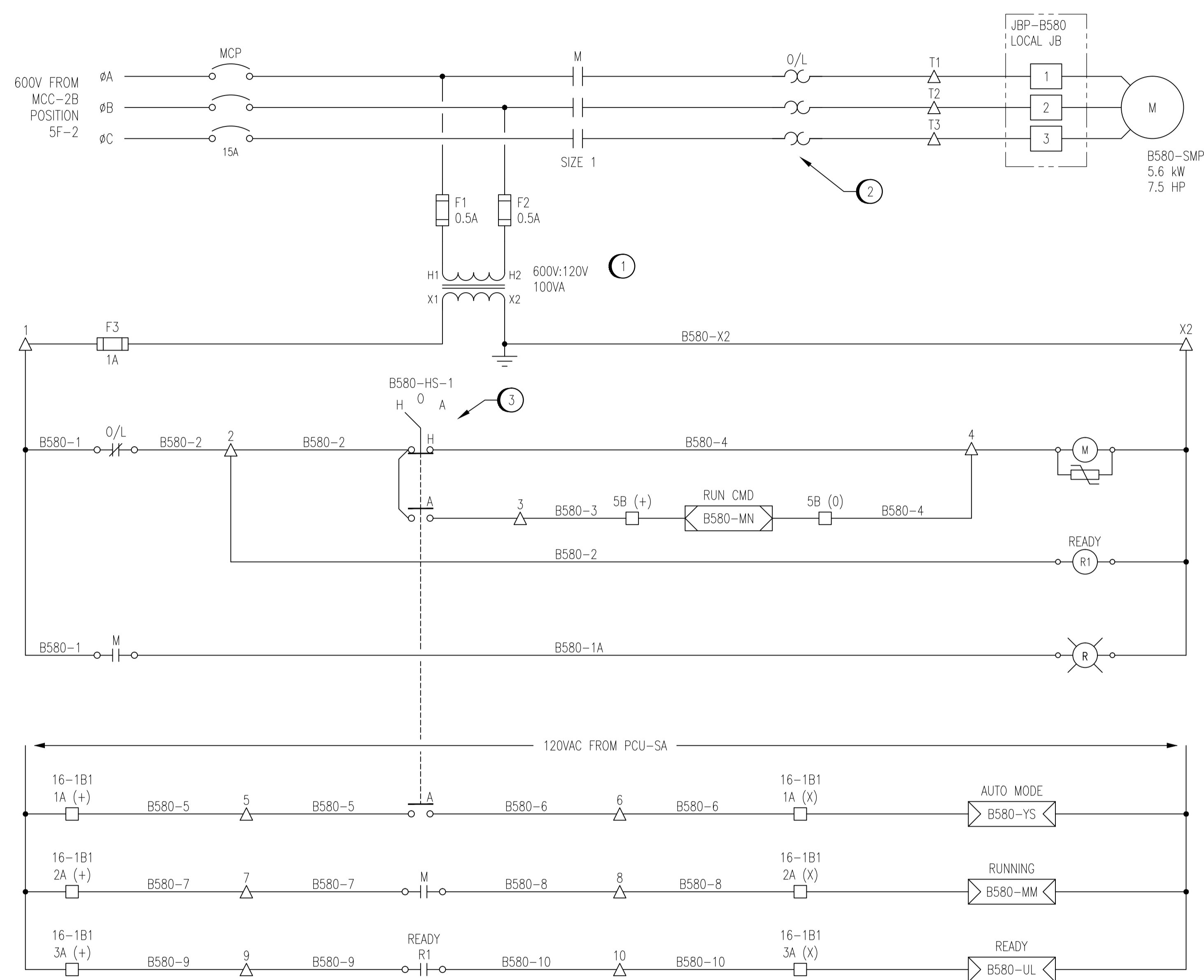


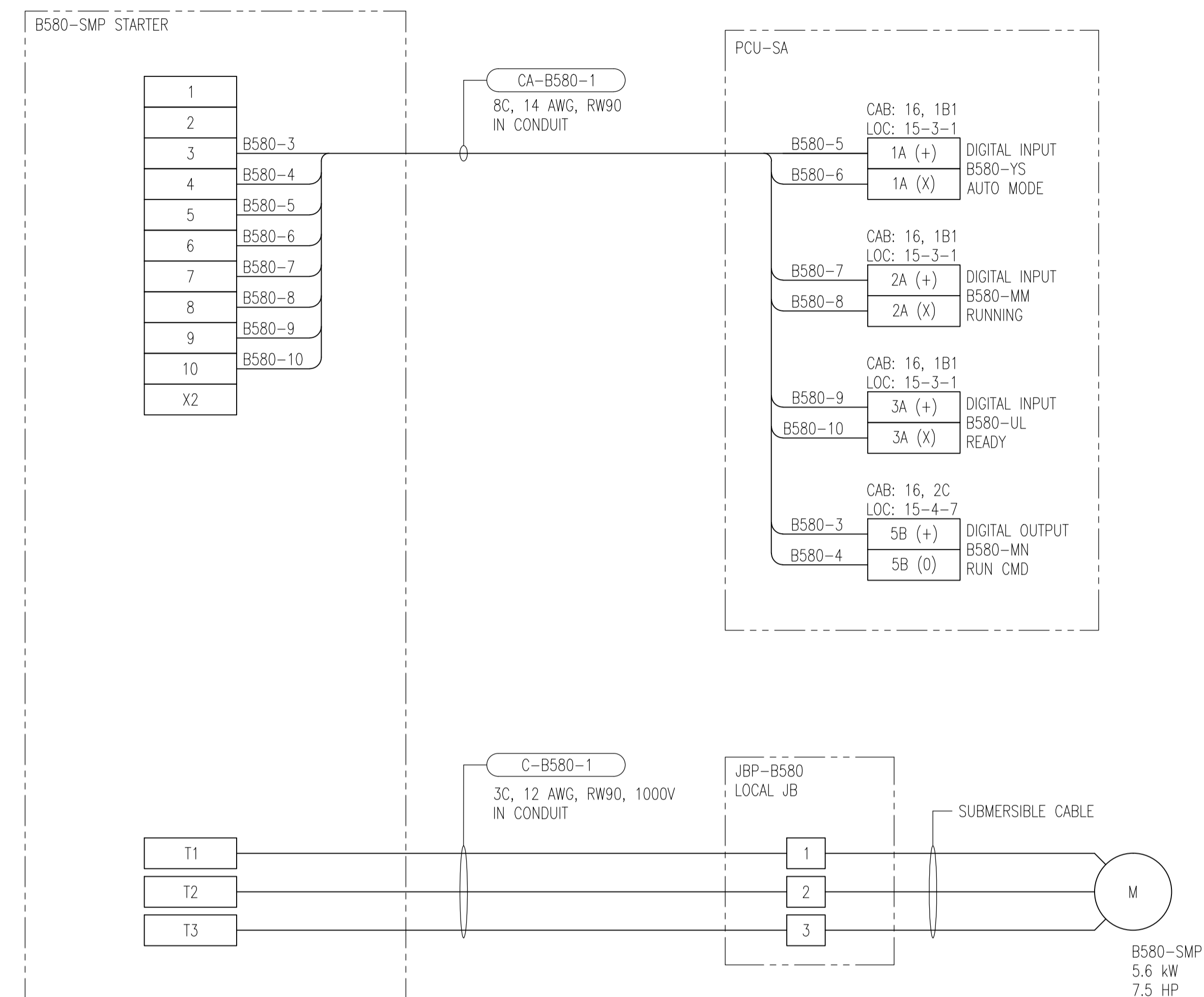
ELEMENTARY DIAGRAM:



LEGEND:

△	MCC TERMINAL
□	DCS CABINET TERMINAL
◀▶	DCS OUTPUT
▶◀	DCS INPUT

FIELD CONNECTION DIAGRAM:



CONSTRUCTION NOTES:

- 1 MODIFY MCC BUCKET AS SHOWN.
- 2 REPLACE OVERLOAD TO SUIT MOTOR. MARK NEW OVERLOAD MODEL RATING ON THE AS-BUILT MARK UP.
- 3 ADD HOA SWITCH TO FRONT OF MCC BUCKET.

SEP-908	MCC-2B LAYOUT
1-0102B-E0012	INSTALLATION DETAIL, BOILER ROOM FLOOD PUMP
DRAWING NUMBER	REFERENCE DRAWINGS



				SNC-LAVALIN INC. 148 Nature Park Way Winnipeg, MB, Canada R3P 0X7 204-786-8080		ENGINEER'S SEAL	
DESIGNED BY: T. CHURCH		CHECKED BY: C. REIMER		DRAWN BY: M.J. PERSSON		APPROVED BY: C. REIMER	
SCALE: NTS		RELEASED FOR CONSTRUCTION BY: N. HARRINGTON		DATE: 2012/01/26		DATE: 2012/08/31	
CONSULTANT NO.: 112577-0116-47DD-1002				CITY DRAWING NUMBER: 1-0102B-E0013			
NO. REVISIONS		DATE		DESIGN		CHECK	
01 ISSUED FOR TENDER, BID OPP. 42-2013		2013/01/15		TMC		CJR	
00 ISSUED FOR TENDER, BID OPP. 545-2012		2012/08/31		TMC		CJR	
THE CITY OF WINNIPEG Winnipeg WATER AND WASTE DEPARTMENT		SOUTH END WATER POLLUTION CONTROL CENTRE VENTILATION AND MISCELLANEOUS UPGRADES MOTOR SCHEMATIC B580-SMP FLOOD PUMP		SHEET: 001		REV: 01	
CITY DRAWING NUMBER: 1-0102B-E0013		SHEET: 001		REV: 01		SIZE: A1	