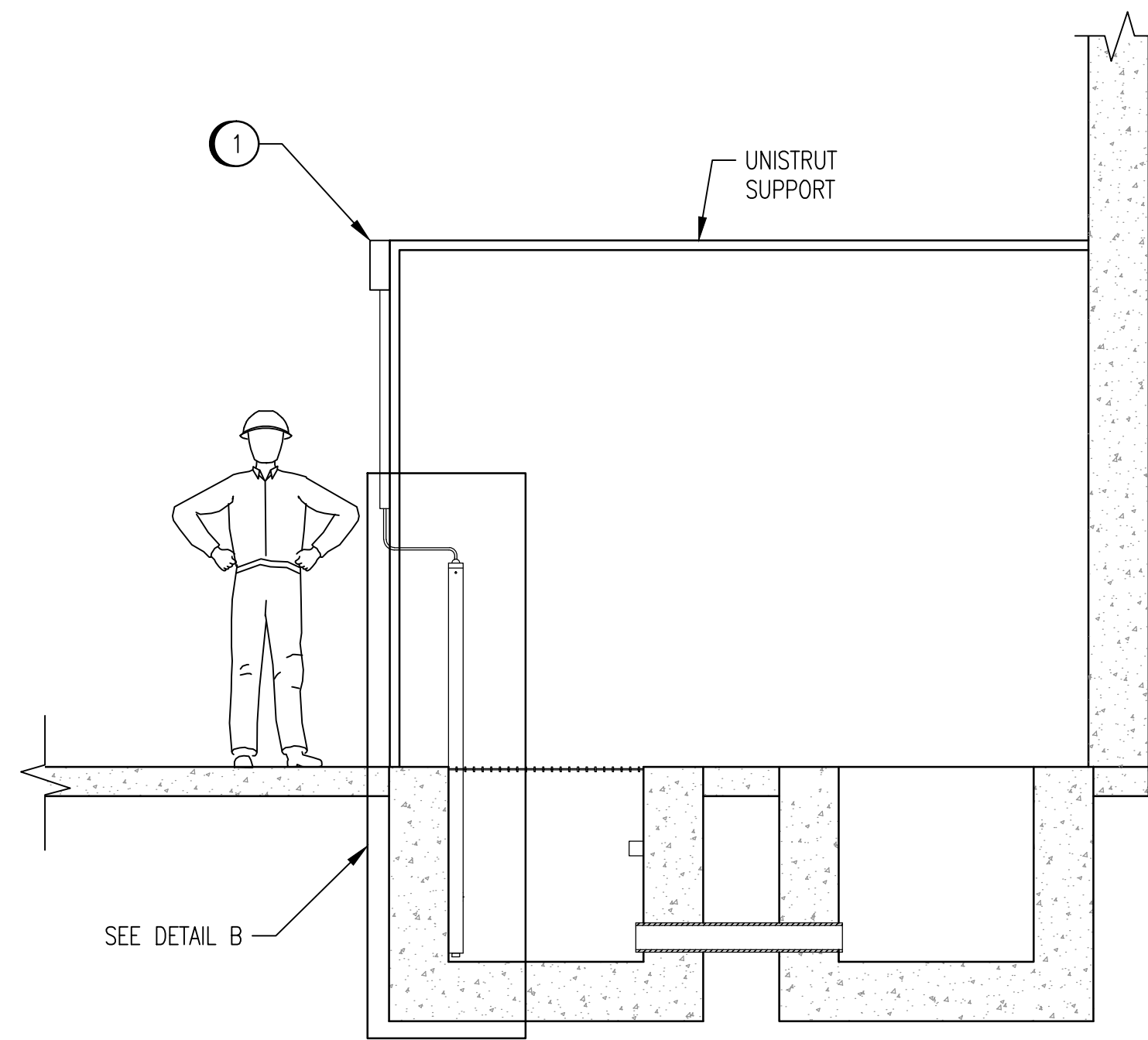
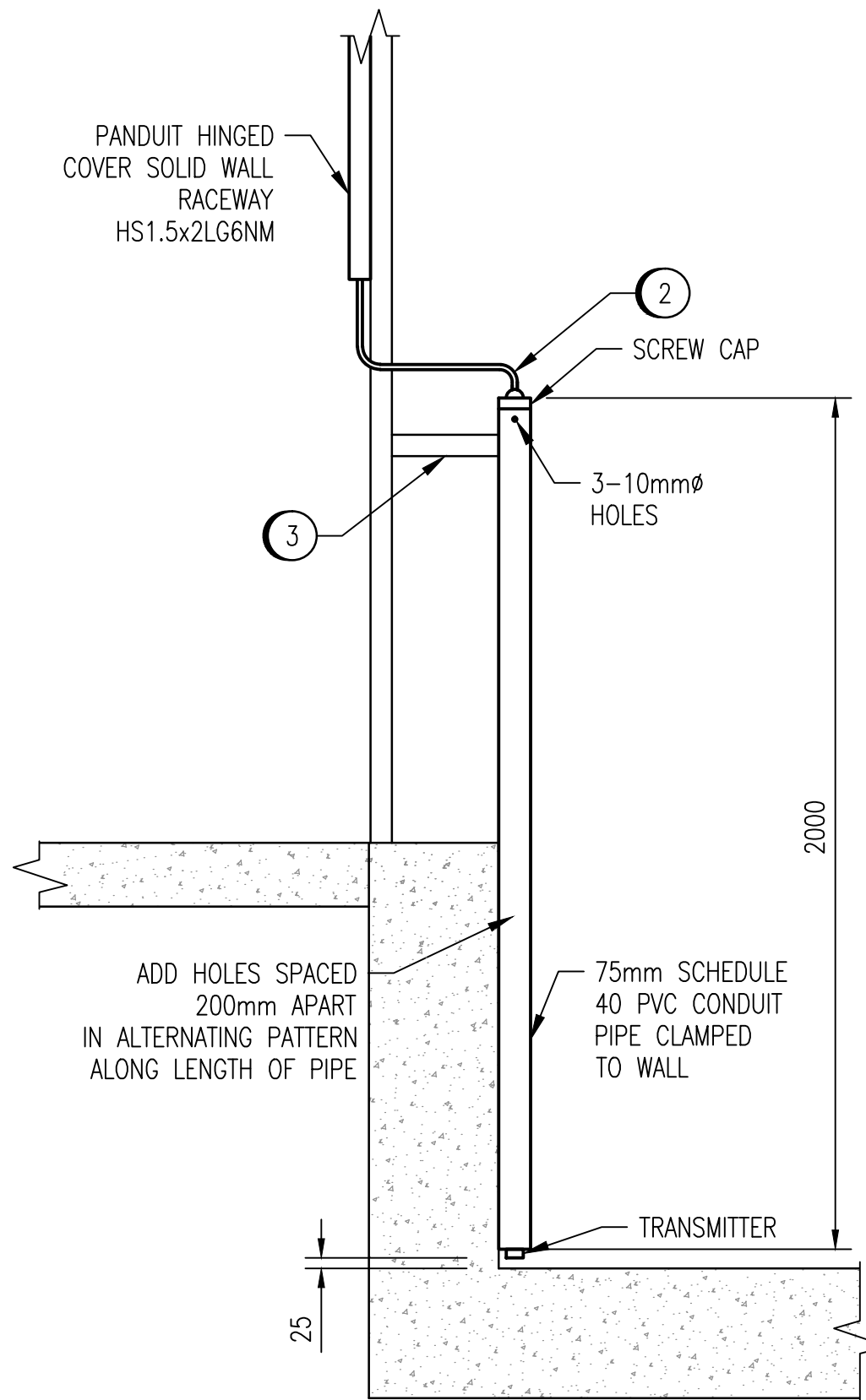


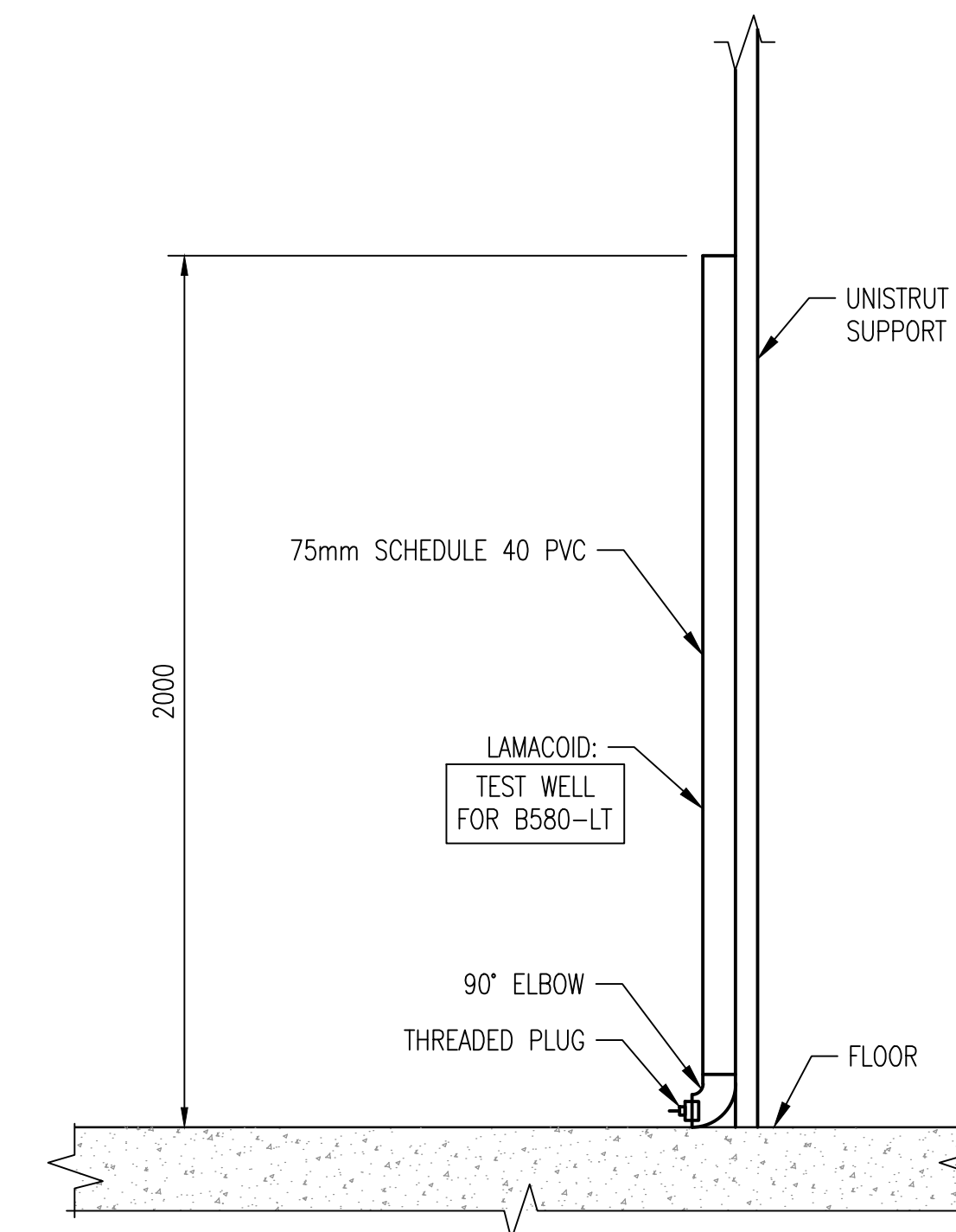
SERVICE BUILDING - LOWER LEVEL
SCALE: 1 : 30



A SECTION
SCALE: 1 : 30



B DETAIL
SCALE: 1 : 15



C SECTION-TEST WELL
SCALE: 1 : 15

- CONSTRUCTION NOTES:**
- 1 MOUNT JUNCTION BOXES TO UNISTRUT SUPPORT.
 - 2 LEAVE ENOUGH SLACK CABLE TO BE ABLE TO LOWER TRANSMITTER TO BOTTOM OF TEST WELL. LOOP SLACK CABLE INSIDE OF RACEWAY.
 - 3 ADD UNISTRUT SUPPORT AT TOP OF STILLING WELL.



NO.	REVISIONS	DATE	DESIGN	CHECK
01	ISSUED FOR TENDER, BID OPP. 42-2013	2013/01/15	TMC	CJR
00	ISSUED FOR TENDER, BID OPP. 545-2012	2012/08/31	TMC	CJR

SNC-LAVALIN INC. 148 Nature Park Way Winnipeg, MB, Canada R3P 0X7 204-798-8080	
DESIGNED BY: I. CHURCH	CHECKED BY: C. REIMER
DRAWN BY: M.J. PERSSON	APPROVED BY: C. REIMER
SCALE: AS SHOWN	RELEASED FOR CONSTRUCTION BY: N. HARRINGTON
DATE: 2012/02/06	DATE: 2012/08/31
CONSULTANT NO.: 112577-0116-47DD-1001	

ENGINEER'S SEAL

THE CITY OF WINNIPEG
WATER AND WASTE DEPARTMENT

SOUTH END WATER POLLUTION CONTROL CENTRE
VENTILATION AND MISCELLANEOUS
INSTALLATION DETAIL
BOILER ROOM FLOOD PUMP
B580-SMP

CITY DRAWING NUMBER	SHEET	REV.	SIZE
1-0102B-E0012	001	01	A1

1-0102B-E0013	MOTOR SCHEMATIC, B580-SMP
1-0102B-A0030	LOOP DIAGRAM, B580-LT, BOILER ROOM FLOOD LEVEL
DRAWING NUMBER	REFERENCE DRAWINGS