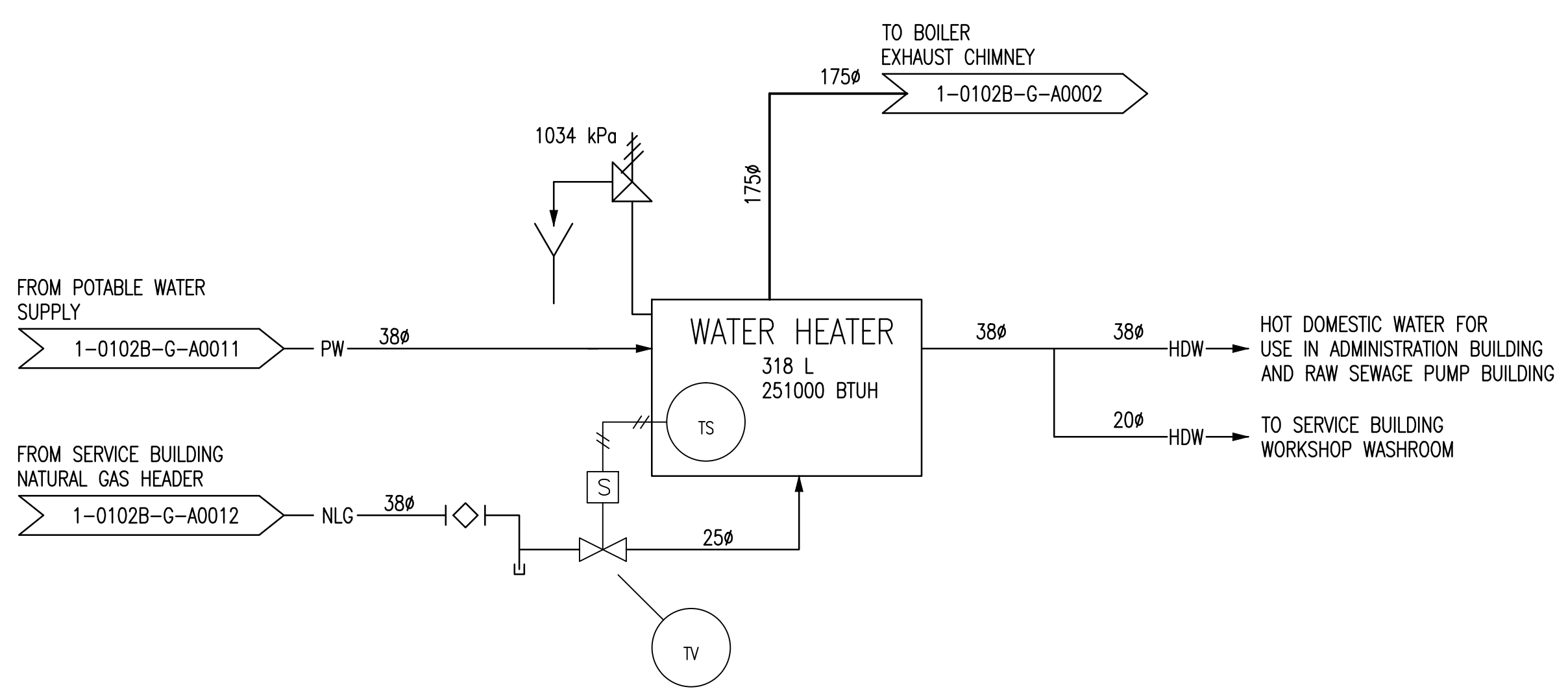
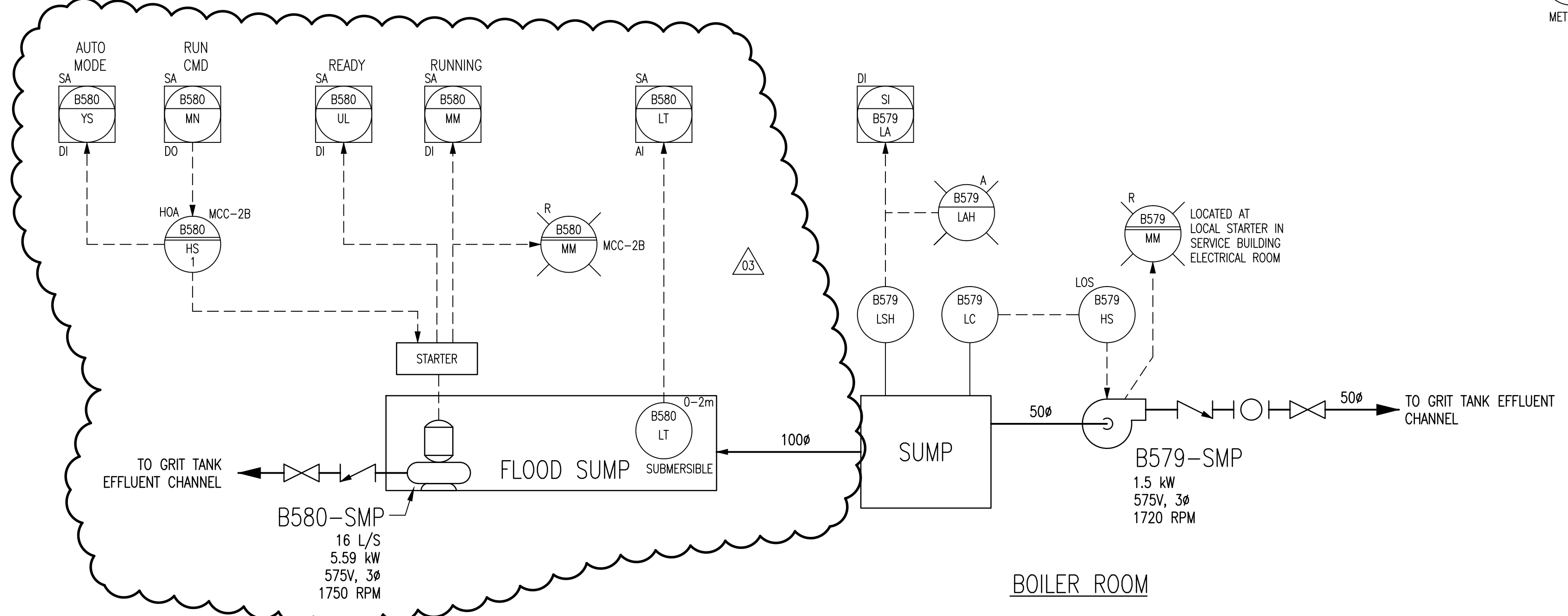
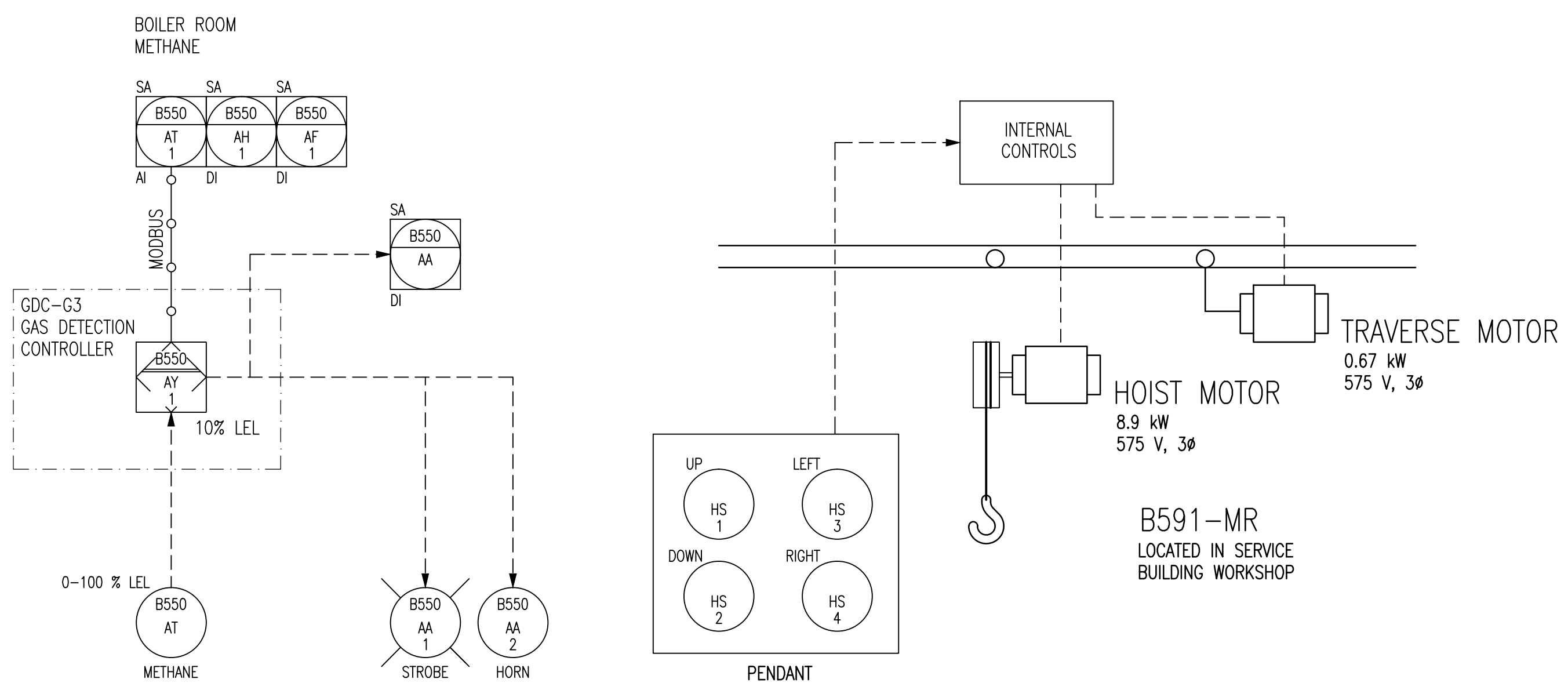
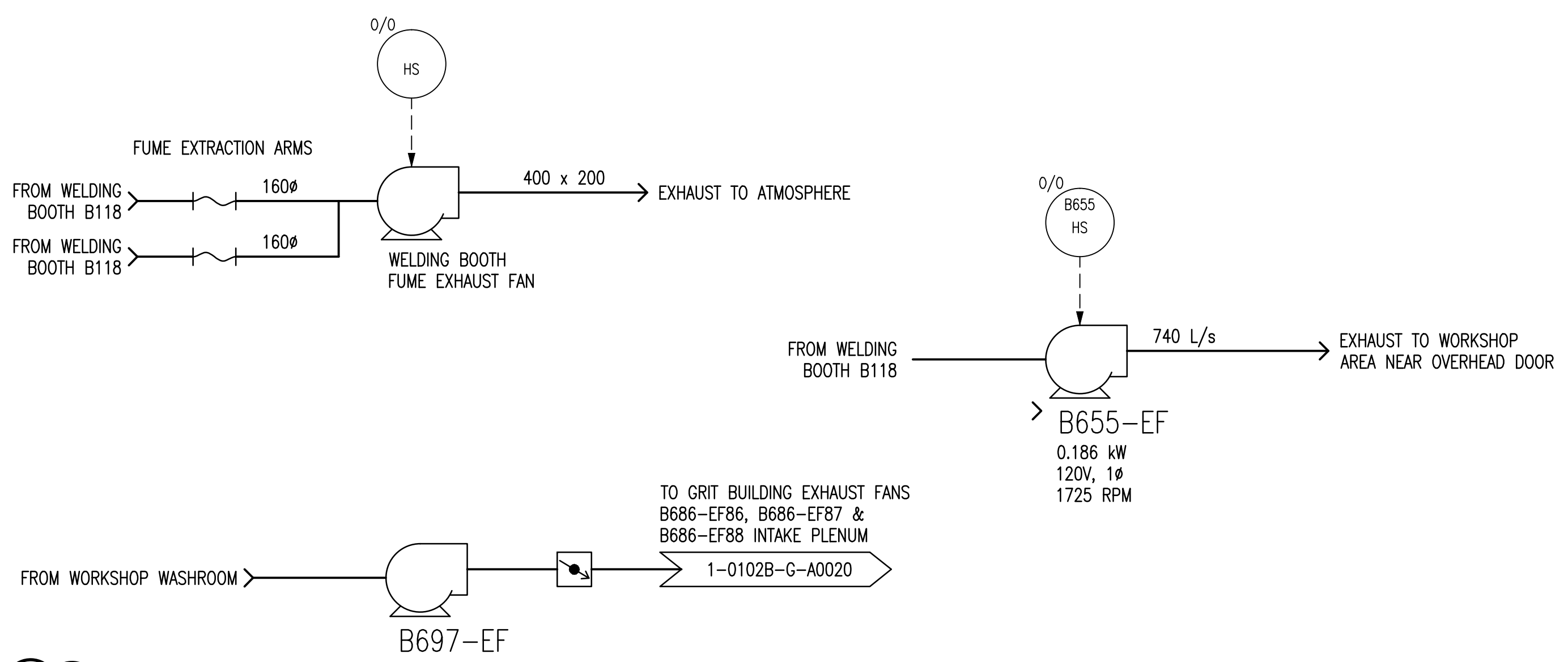
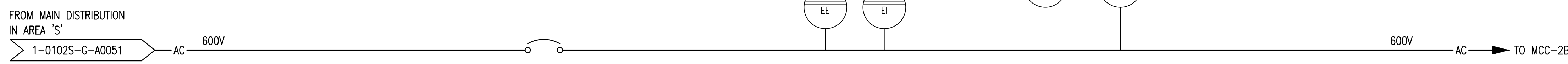
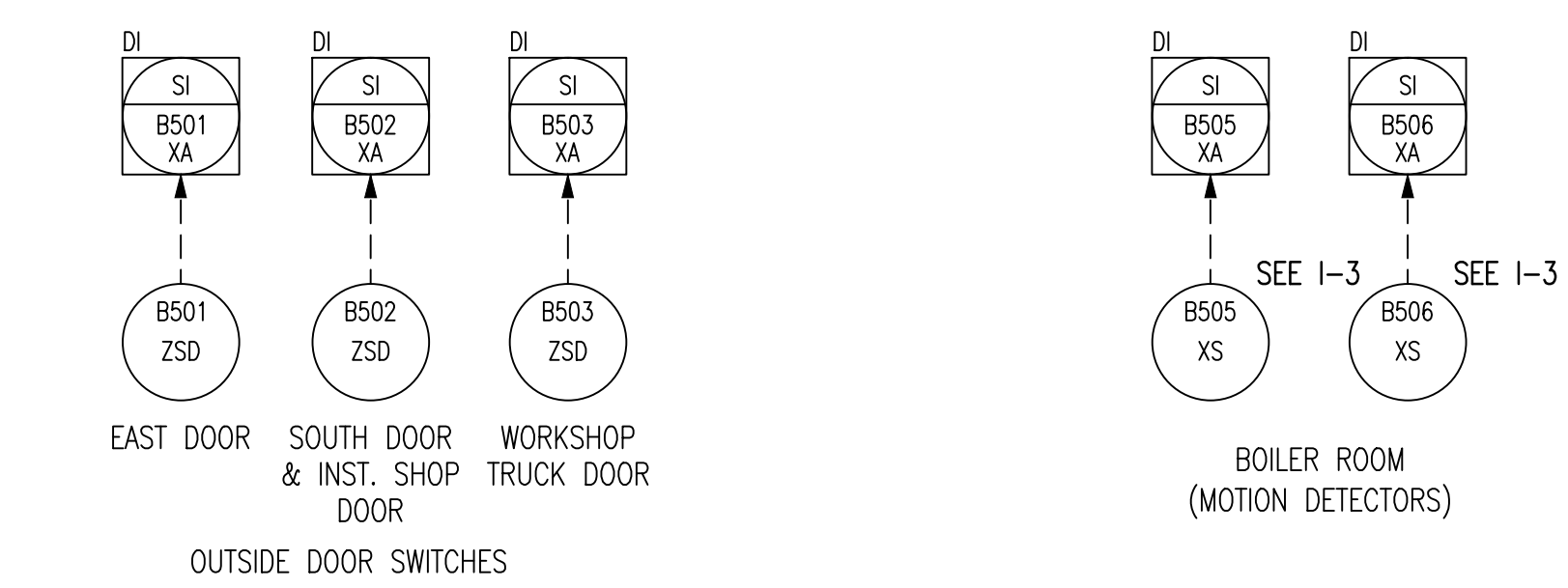


INCONSISTENCIES
I-1 MOTION DETECTORS B505-XS AND B506-XS ARE CURRENTLY DESIGNATED AS B505-AE AND B506-AE RESPECTIVELY.



NOTES:
1. THIS DRAWING SUPERSEDES PORTIONS OF DRAWING SEP-919, SEP-921, SEP-922, AND SEP-925.



NO.	REVISIONS	DATE	DESIGN	CHECK
03	ADDED B580-SMP, BID OPP. 42-2013	2013/01/15	TMC	CJR
02	ADDED B580-SMP, BID OPP. 545-2012	2012/08/31	TMC	CJR
01	ADDED GAS ALARM AND FIRE ALARM PANEL	2011/03/11	TMC	CJR
00	ISSUED FOR CITY USE	2007/02/26	-	EFB

SNC-LAVALIN INC. 148 Nature Park Way Winnipeg, MB, Canada R3P 0X7 204-786-8080	
DESIGNED BY: EXISTING	CHECKED BY: EFB
DRAWN BY: EFB	APPROVED BY: CJR
SCALE: NTS	RELEASED FOR CONSTRUCTION BY: N. HARRINGTON
DATE: 2005/11/09	DATE: 2011/03/11
CONSULTANT NO.: 112577-0106-49DD-0009	

ENGINEER'S SEAL

THE CITY OF WINNIPEG
WATER AND WASTE DEPARTMENT

SOUTH END WATER POLLUTION CONTROL CENTRE
SERVICE BUILDING
PROCESS & INSTRUMENTATION DIAGRAM
MISCELLANEOUS

CITY DRAWING NUMBER: 1-0102B-A0024
SHEET: 001
REV: 03
SIZE: D