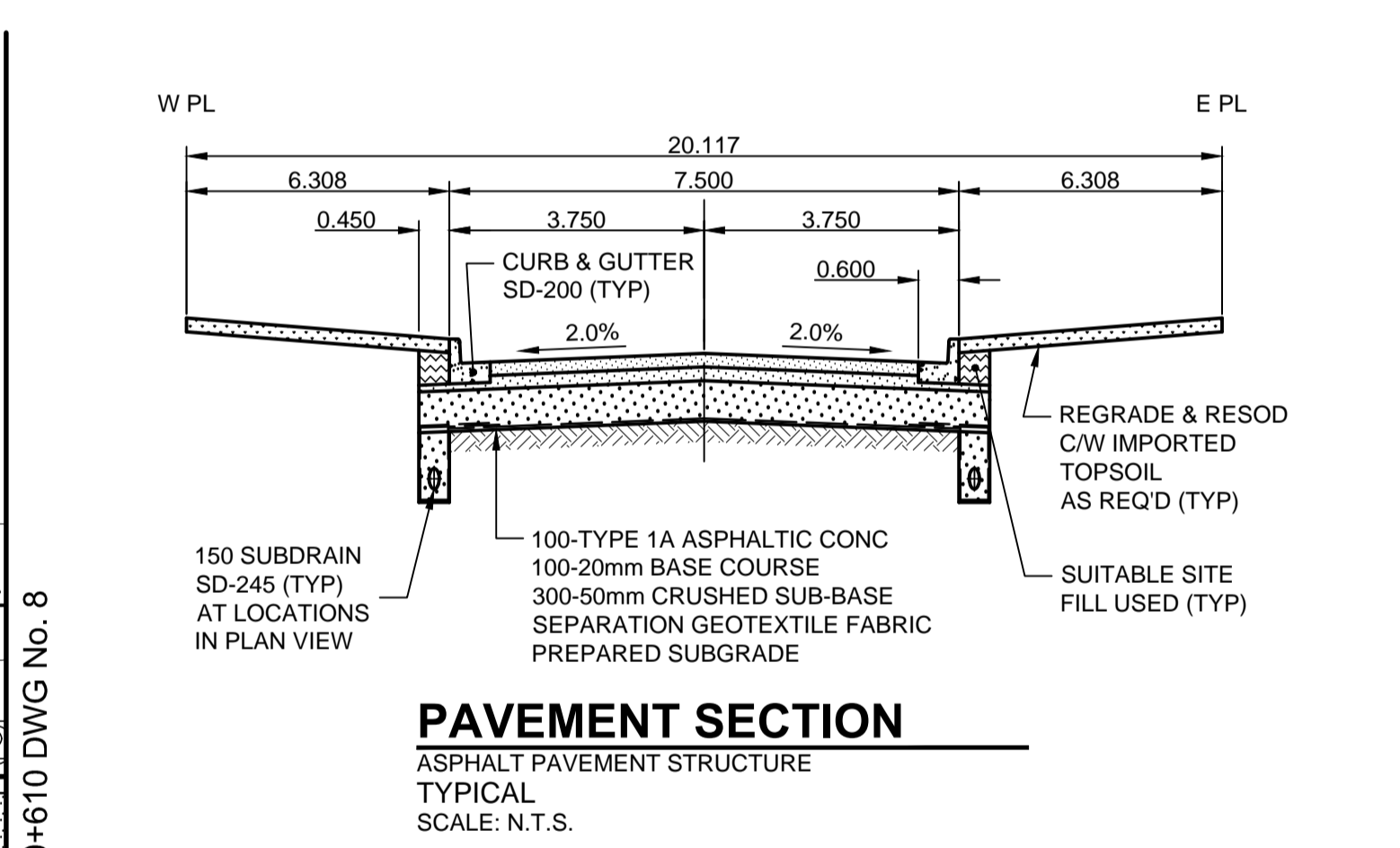
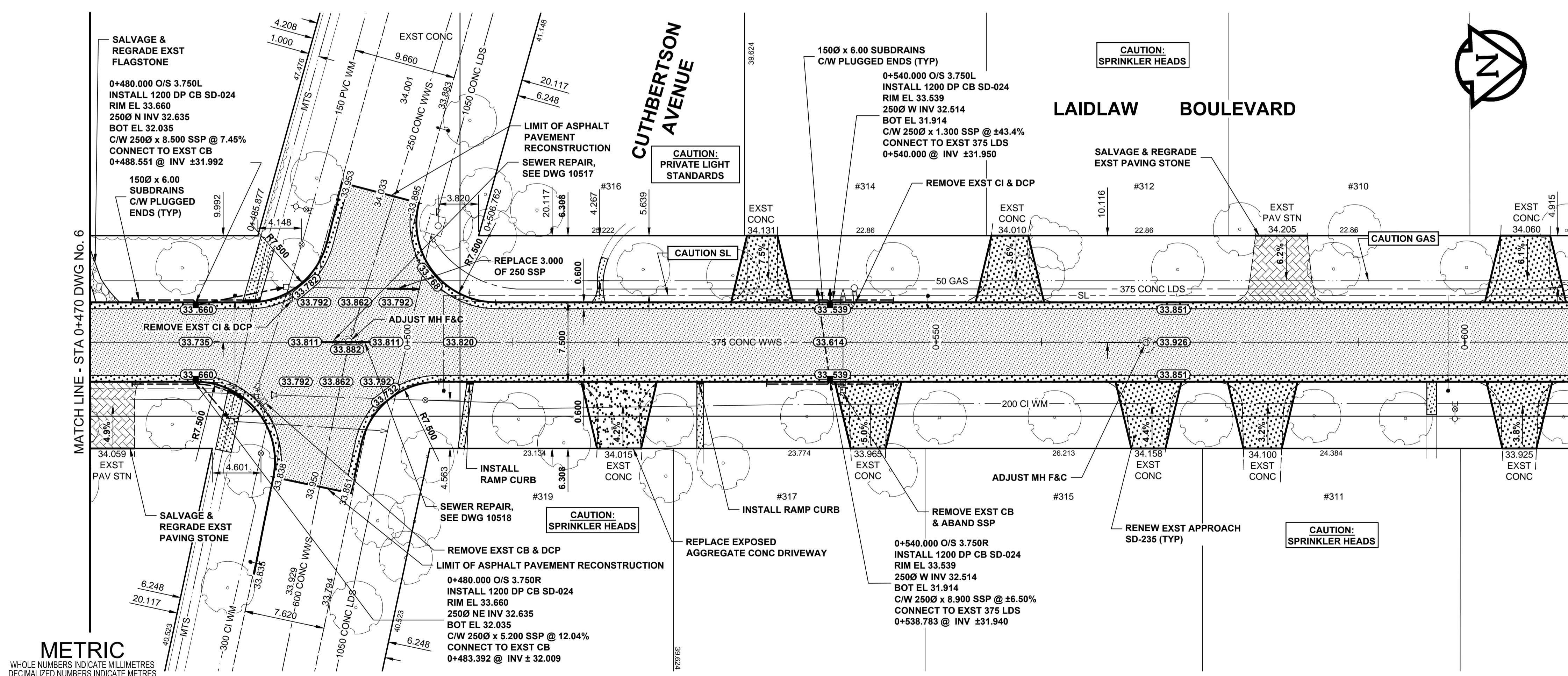
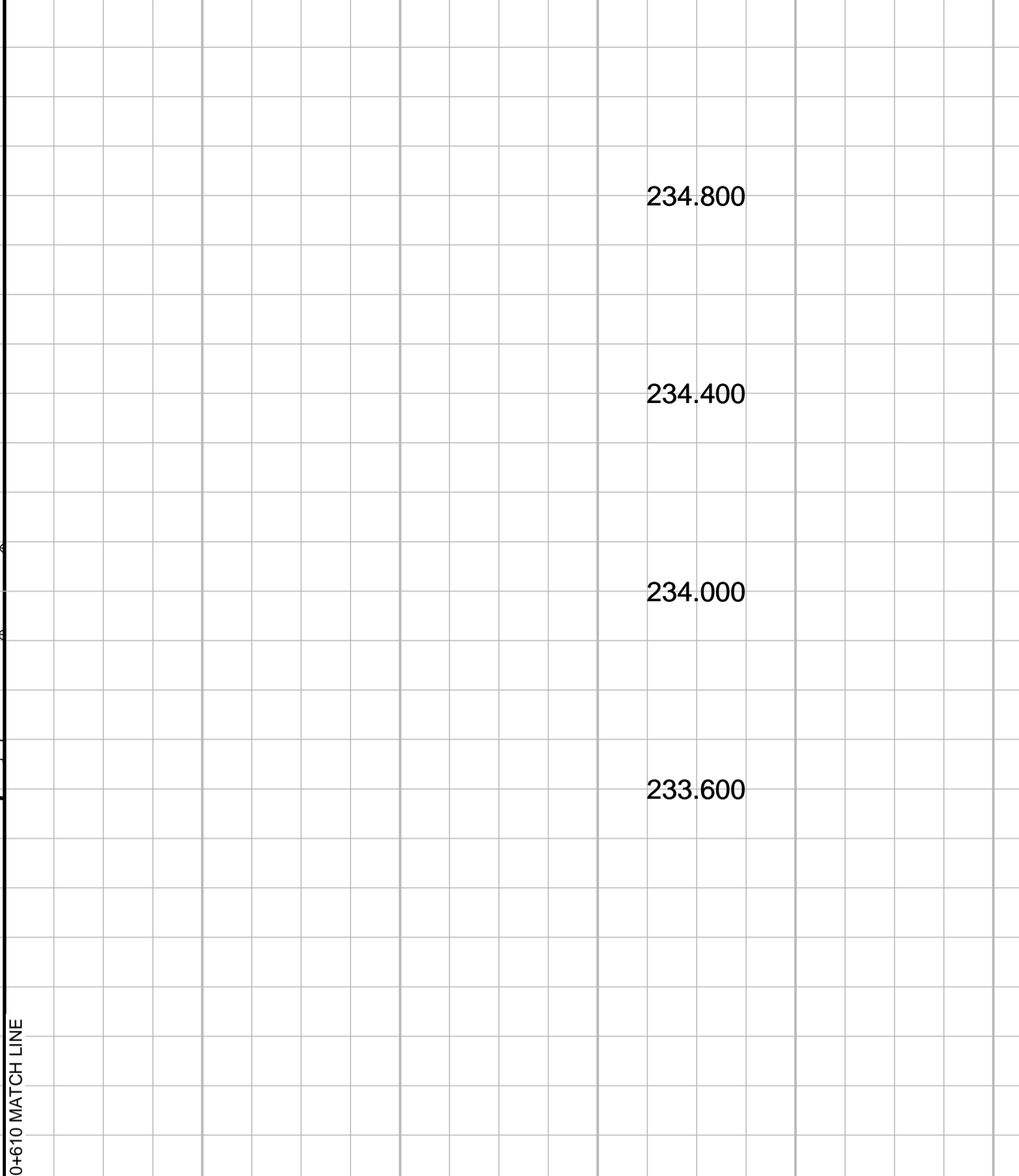
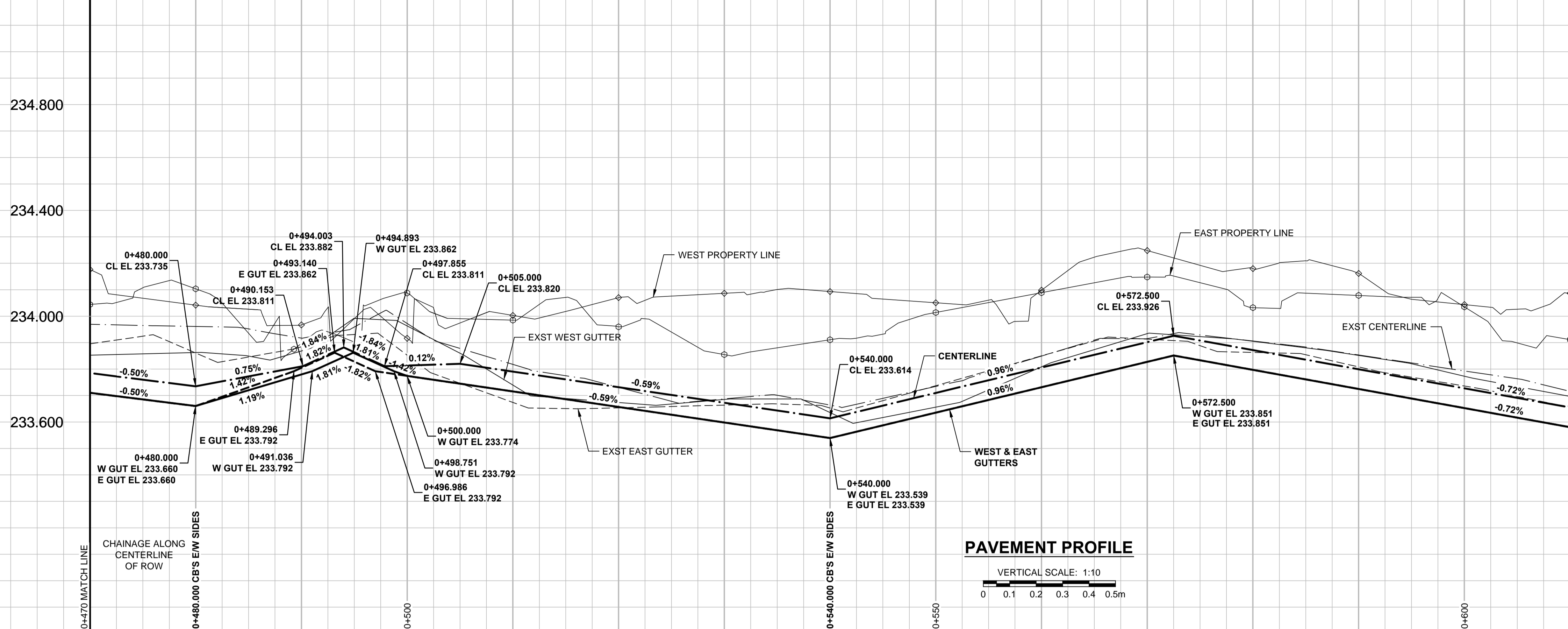


A1 SIZE 894mm x 841mm
 FILE NAME: W130003-T-007_RX.dwg Saved By: Diane
 PLOT: 13/05/01 11:12:54 AM



- NOTES**
- ADJUST MH AND CB RIMS TO NEW GRADES.
 - CONTRACTOR TO COMPLETE RECONSTRUCTION OF STREET LIGHTING (INCLUDING BASES, WIRING & LAMP STANDARDS). COORDINATION WITH MANITOBA HYDRO WILL BE REQUIRED.
 - CONTRACTOR TO REGRADE/RENEW EXST PRIVATE SIDEWALKS TO LIMITS AS SHOWN. SIDEWALKS TO BE RENEWED WITH CONCRETE UNLESS NOTED OTHERWISE.
 - CONTRACTOR TO TAKE PRECAUTIONARY STEPS TO PROTECT EXISTING TREES WITHIN THE LIMITS OF CONSTRUCTION FROM DAMAGE FROM CONSTRUCTION ACTIVITIES AS OUTLINED IN THE SPECIFICATIONS.
 - MODIFIED BARRIER CURBS TO BE USED AT ALL INTERSECTION RADII, BACK LANE RADII AND BULLNOSES.
 - CONTRACTOR TO CONFIRM THE LOCATION OF ALL UTILITIES/SERVICES IN THE FIELD PRIOR TO CONSTRUCTION, TO OBTAIN GEODETIC ELEVATIONS.
 - SCALE FACTOR OF 1.000559602 USED TO CONVERT UTM TO GROUND COORDINATES.
 - CB OFFSETS ARE DIMENSIONED TO BOC.

METRIC
 WHOLE NUMBERS INDICATE MILLIMETRES
 DECIMALIZED NUMBERS INDICATE METRES

EXISTING	LEGEND - PLAN	NEW	EXISTING	LEGEND - PLAN	NEW
---	GAS	---	○	MANHOLE	●
---	MTS	---	□	CATCH BASIN / CATCH PIT	■
---	HYDRO	---	△	CURB INLET WITH BOX	▲
---	CATV / FIBRE OPTIC	---	+	TREE	+
---	TRAFFIC SIGNALS / PIT	---	TH-12	TEST HOLE	TH-12
---	LAND DRAINAGE SEWER	---	---	PROPERTY LINE	---
---	SANITARY/COMBINED SEWER	---	---	SURVEY BAR	---
---	SEWER SERV/DRAINAGE CONN	---	---	FENCE	---
---	WATERMAIN	---	---	BOC / EDGE OF PAVEMENT	---
---	SUBDRAIN	---	33.000	ELEVATION	(33.100)
---	DITCH	---	---	TRAFFIC SIGN	---

EXISTING	LEGEND - PLAN	NEW
---	CONCRETE PAVEMENT	---
---	CONC SIDEWALK / MEDIAN	---
---	ASPHALT PAVEMENT	---
---	PAVING STONE	---
---	GRAVEL	---
---	RAMP CURB	---
---	PLANING / REMOVAL	---

LOCATION APPROVED
 UNDERGROUND STRUCTURES

GBM 50-044
 ELEV 233.724m

DATE: 13/05/01
 BY: JGK

NOTE:
 LOCATION OF UNDERGROUND STRUCTURES AS SHOWN ARE BASED ON THE BEST INFORMATION AVAILABLE. BUT NO GUARANTEE IS GIVEN THAT ALL EXISTING UTILITIES ARE SHOWN OR THAT THE GIVEN LOCATIONS ARE EXACT. CONFIRMATION OF EXISTENCE AND EXACT LOCATION OF ALL SERVICES MUST BE OBTAINED FROM THE INDIVIDUAL UTILITIES BEFORE PROCEEDING WITH CONSTRUCTION.

MORRISON HERSHFELD

DESIGNED BY: JGK
 CHECKED BY: RPB
 DRAWN BY: DID/DML
 APPROVED BY: BWB

HOR. SCALE: 1:250
 VERT. SCALE: 1:10

DATE: 13/04/19

PROFESSIONAL'S SEAL

PROVINCE OF MANITOBA
J.G. KENNEDY
 Member
 22326
 13/05/01

CONSULTANT DRAWING No.
 W130003-T-007_RX.dwg

THE CITY OF WINNIPEG
 PUBLIC WORKS DEPARTMENT
 ENGINEERING DIVISION

2013 LOCAL STREET PACKAGE
LAIDLAW BOULEVARD
MOUNTBATTEN AVENUE TO CORYDON AVENUE
ASPHALT PAVEMENT RECONSTRUCTION
 HORIZONTAL AND VERTICAL ALIGNMENT
 STA 0+470 TO STA 0+610

CITY DRAWING NUMBER: N/A
 SHEET 7 OF 26
 DRAWING No. 7
 REV 0

BID OPPORTUNITY No. 289-2013