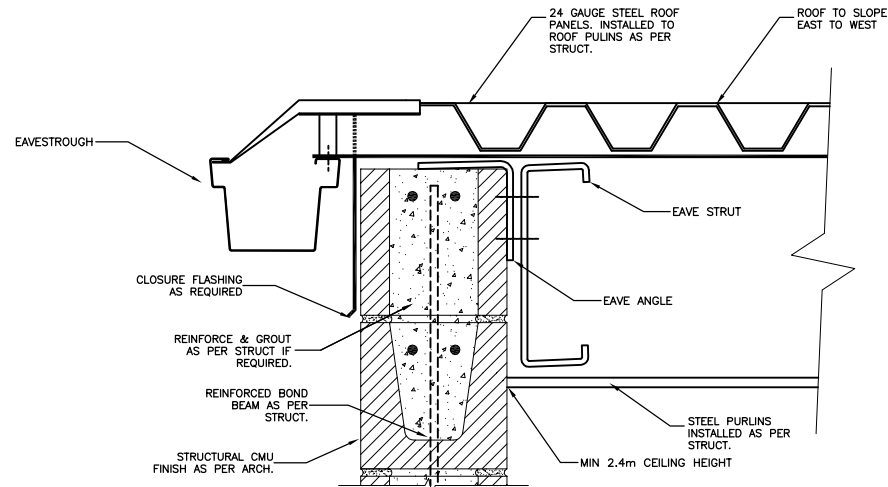
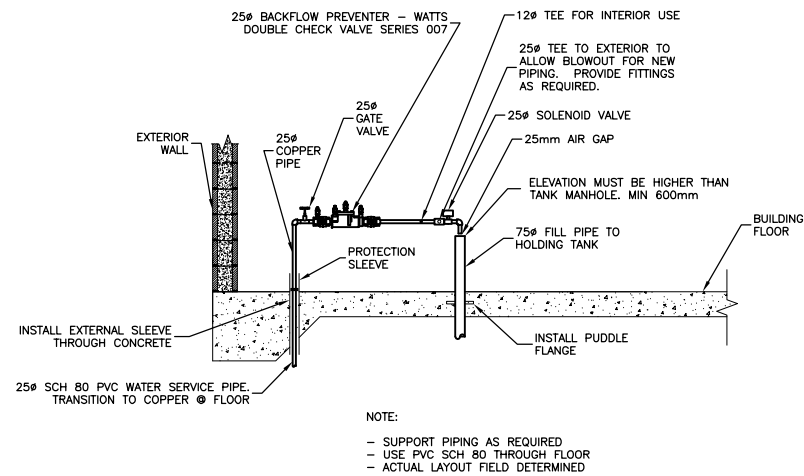
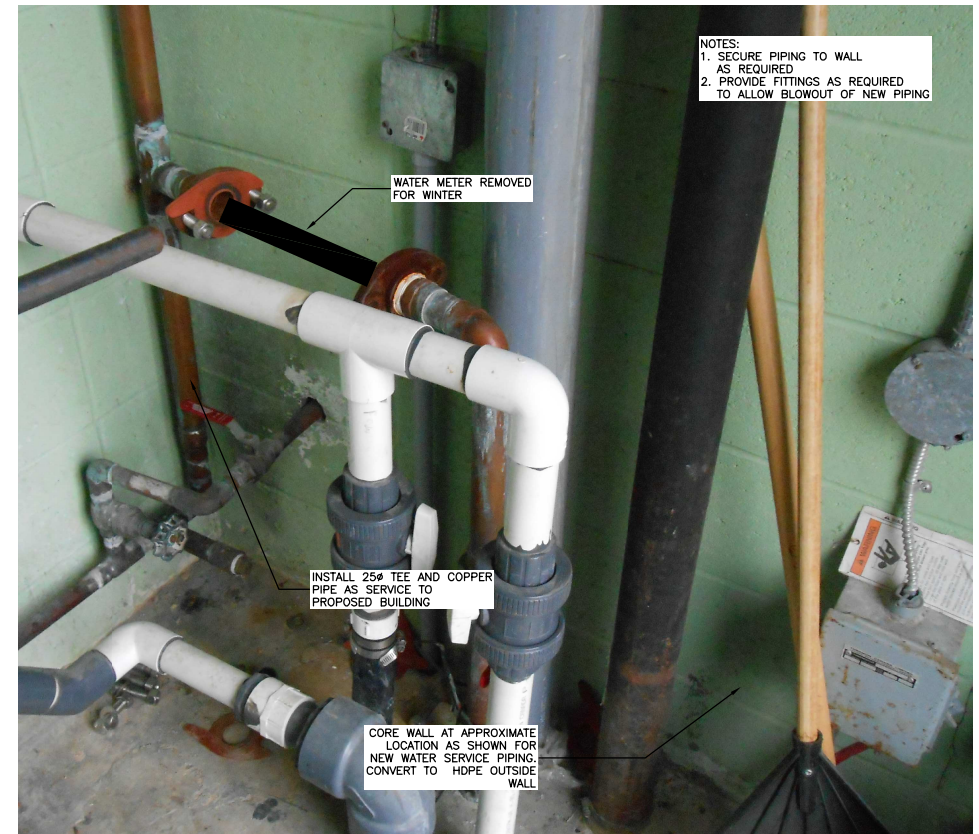


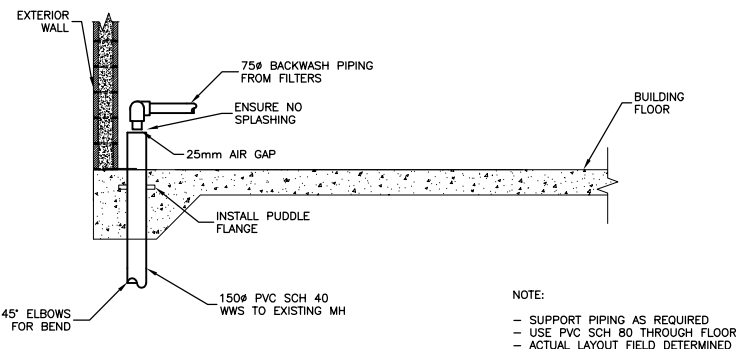
1 SLAB ON GRADE DETAIL  
 SCALE = 1:30



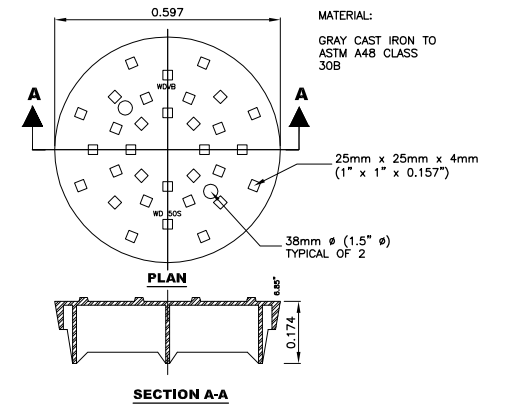
2 STRUCTURAL CONCRETE MASONRY UNIT ROOF DETAIL  
 SCALE = 1:5



3 INCOMING WATER DETAIL  
 SCALE = 1:30



4 INCOMING WATER DETAIL  
 SCALE = 1:30



NOTES:  
 1) CONFORMS TO CITY OF WINNIPEG STANDARD DRAWING SD-105A.  
 2) WEIGHT 37kgs. (168 lbs.)

5 WD50S STANDARD SOLID MANHOLE COVER  
 SCALE = 1:10

File: 26\_2013 - 1030mm (40.94in) Dia. Specimen Limestone Anhydrite (M81.01) Sturgeon Heights, CC - 0404m Date: 2013-02-26 10:00 AM User: JRC/01 Drawing Path: C:\Users\jrc\Documents\Projects\Sturgeon Heights\Drawings\Pool Details.dwg

				B.M. EL.
1	ISSUED FOR TENDER	13/02/26		
No.	REVISIONS	DATE	INITIALS	

LOCATIONS OF UNDERGROUND STRUCTURES/UTILITIES AS SHOWN ARE BASED ON AVAILABLE INFORMATION BUT NO GUARANTEE IS GIVEN OR IMPLIED THAT ALL EXISTING UNDERGROUND STRUCTURES/UTILITIES ARE SHOWN OR THAT THE GIVEN LOCATIONS ARE EXACT. CONFIRMATION OF EXISTENCE AND EXACT LOCATION OF ALL UNDERGROUND STRUCTURES/UTILITIES MUST BE OBTAINED FROM THE APPROPRIATE AUTHORITY/OWNER, BY THE CONTRACTOR, BEFORE PROCEEDING WITH CONSTRUCTION.

				ENGINEER'S SEAL
--	--	--	--	-----------------

**J. R. Cousin Consultants Ltd.**  
 Consulting Engineers and Project Managers

91A Scurfield Blvd. Winnipeg, MB R3Y 1G4  
 ph: (204) 489-0474 fax: (204) 489-0487  
 email: info@jrcc.ca website: www.jrcc.ca

Engineering Excellence since 1981

CODE: D-661.01	PROJECT: STURGEON HEIGHTS CC SPRAY PAD
DESIGNED BY: RO	TITLE: BUILDING AND PIPING DETAILS
DRAWN BY: RO	SCALE: AS NOTED
REVIEWED BY: TL	DATE: 13/02/26
	PLAN: M2
	SHEET: 2 of 2