

PANEL 2A		VOLTAGE : 120/240V BUS : 225A		PHASE : 1 WIRE : 3					
DESCRIPTION	LOAD WATTS	BKR SIZE	CIRCUIT	BKR SIZE	LOAD WATTS	DESCRIPTION			
7.5HP PUMP	9600	100	1-2	100	19.2k	EXISTING CHANGE ROOM PANEL			
3HP PUMP	4080	50	3-4	2P	2000	EBBH-1			
LIGHTING	450	15	5-6	15	2000	EBBH-2			
RECEPTACLE	200	15	7-8	2P	1500	HOT WATER TANK			
RECEPTACLE	200	15	9-10	15	2880	UV CONTROL PANEL			
[SPARE]		15	11-12	2P					
[SPARE]		15	13-14						
[SPARE]		15	15-16						
[SPARE]		15	17-18						
[SPARE]		15	19-20						
[SPARE]		15	21-22						
[SPARE]		15	23-24						
[SPARE]		15	25-26						
[SPARE]		15	27-28						
[SPARE]		15	29-30						
[SPARE]		15	31-32						
[SPARE]		15	33-34						
[SPARE]		15	35-36						
[SPARE]		15	37-38						
[SPARE]		15	39-40						
[SPARE]		15	41-42						
HTG. : 4KW		LTG. : 0.5KW		MTR. : 16.6KW		MISC. : 21.3KW		TOTAL : 42.3KW	

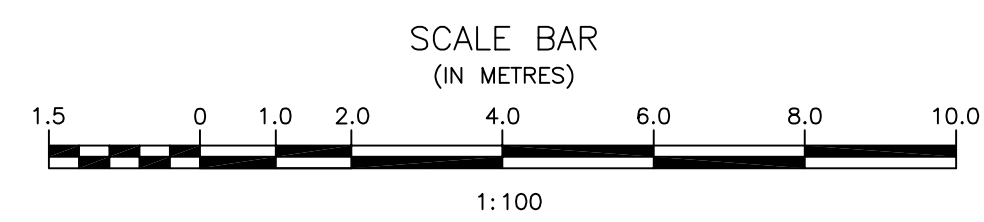
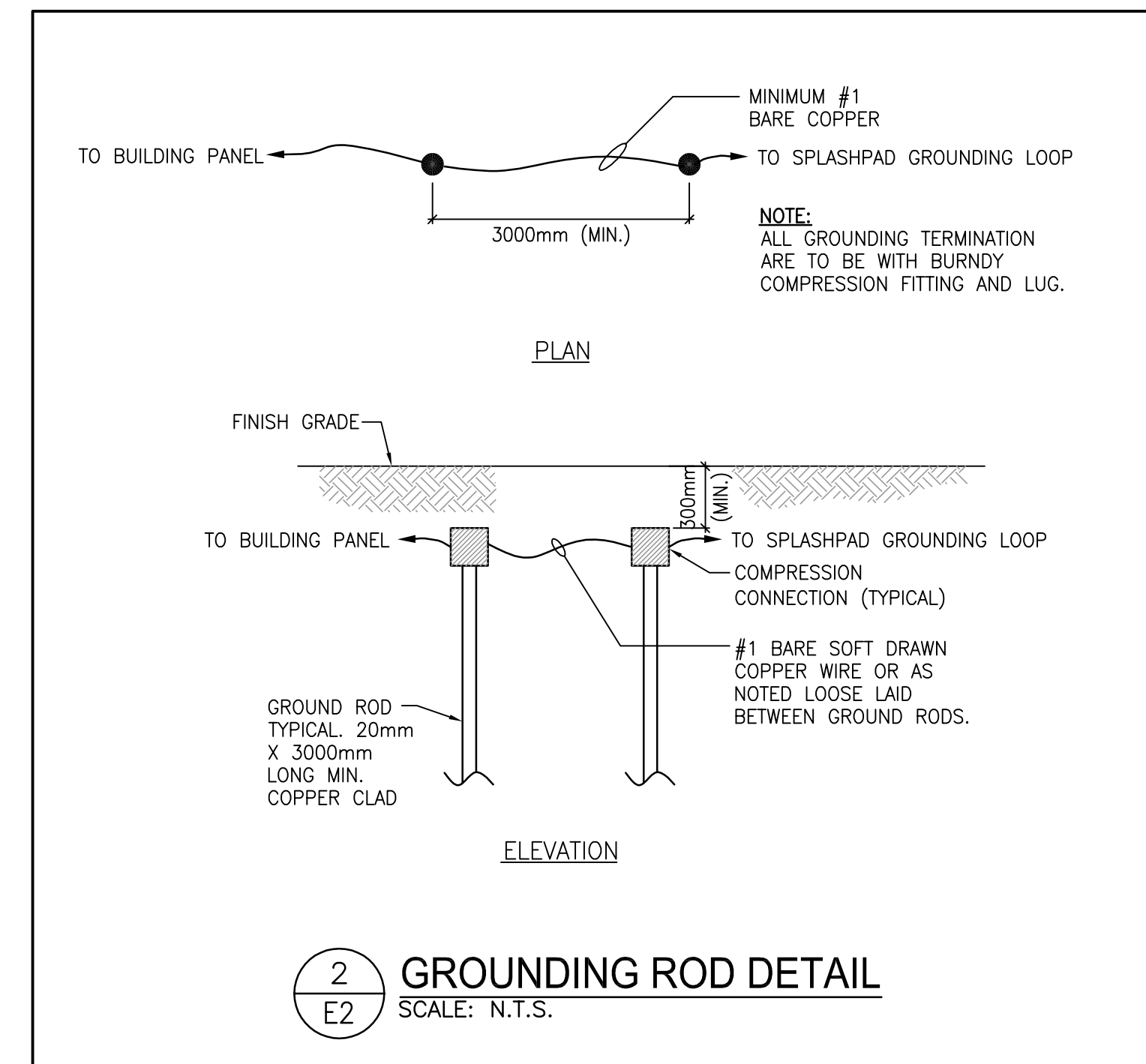
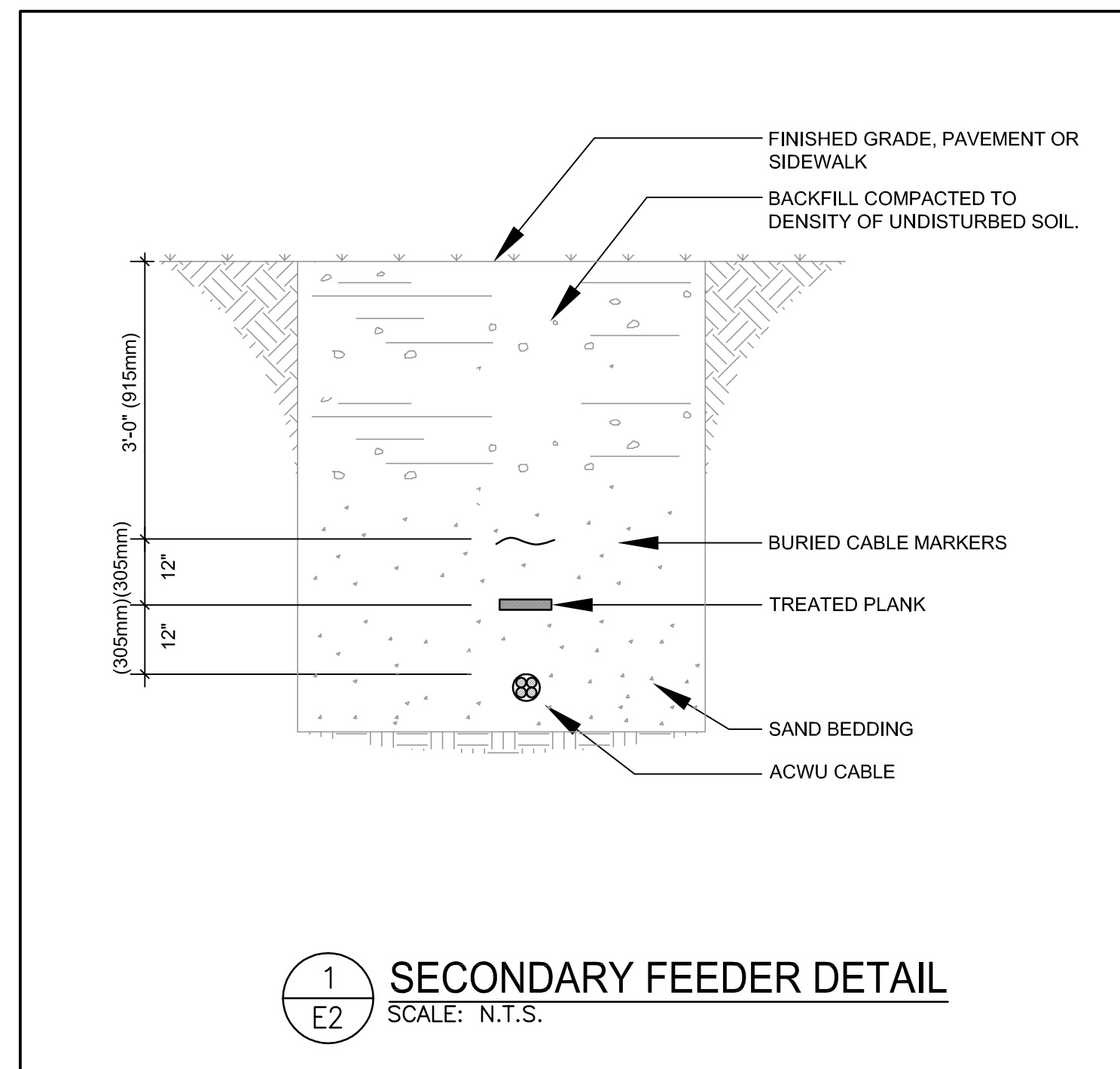
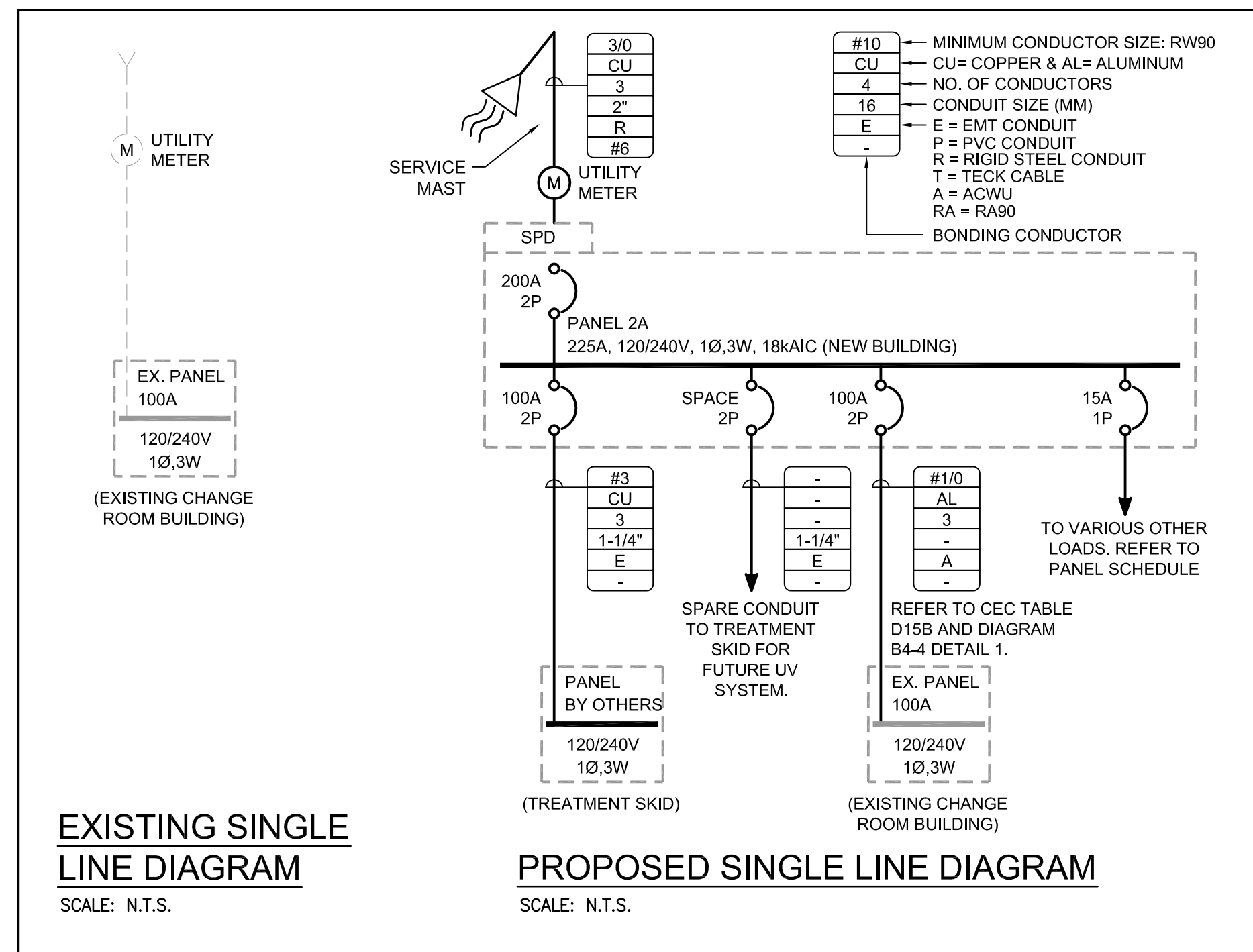
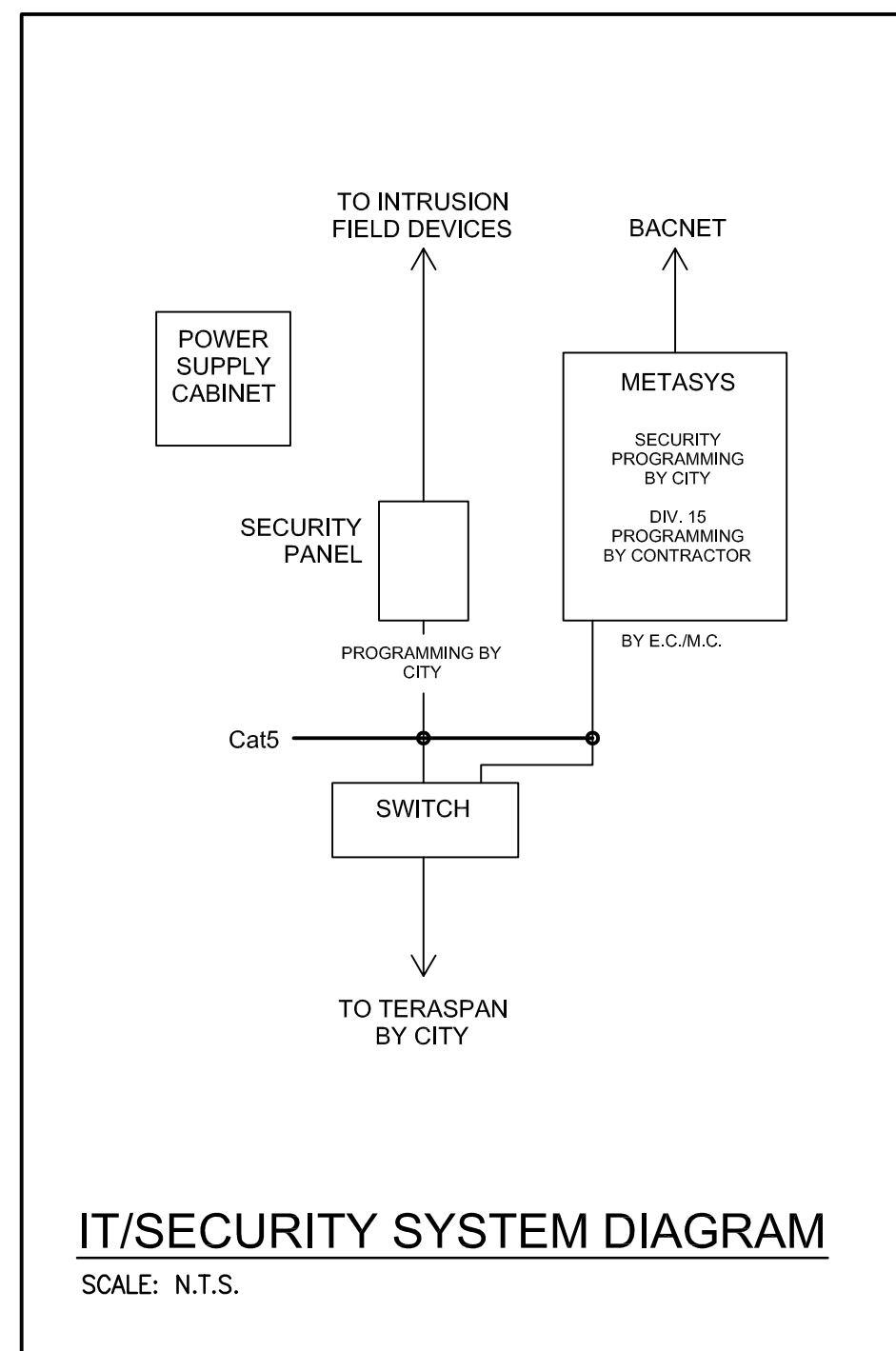
LEGEND	
	STRIP FLUORESCENT LIGHT (B DENOTES TYPE)
	WALL MOUNTED LIGHT FIXTURE / DOCKLITE (H TYPE)
	SINGLE POLE SWITCH (3 DENOTES 3 WAY SWITCH)
	DUPLEX RECEPTACLE
	DUPLEX RECEPTACLE - GROUND FAULT CIRCUIT INTERRUPTER
	WEATHERPROOF GFCI RECEPTACLE
	DIRECT CONNECT
	SECURITY KEYPAD
	DOOR CONTACT (FLUSH IN FRAME)
	MOTION DETECTOR (SECURITY)
	POWER PANELBOARD - SURFACE MOUNT/FLUSH MOUNT
	SYSTEM PANELBOARD - SURFACE MOUNT/FLUSH MOUNT
	MOTOR CONNECTION
	DISCONNECT SWITCH

ELECTRIC HEATER SCHEDULE							
TYPE	MANUFACTURER	CATALOGUE NO.	KW	VOLTS/Ø	MOUNTING	REMARKS	NOTES
EBBH-1	OUELLET	OFM2000	2.0	208/1	W	INTEGRAL THERMOSTAT	1
EBBH-2	OUELLET	OFM2000	2.0	208/1	W	INTEGRAL THERMOSTAT	1

NOTES: 1. FINISH/COLOUR AS SELECTED BY OWNER. W = WALL P = PENDANT CH = CHAIN  
S = SUSPENDED DW = DRYWALL

LUMINAIRE SCHEDULE								
TYPE	MANUFACTURER	CATALOGUE NO.	LAMPS		VOLTS	MOUNTING	REMARKS	NOTES/WATTS
			NO.	TYPE				
A	METALUX	SSF-2-54T5-WG	2	54W T5HO	120	C	C/W WIRE GUARD	
B	LUMARK	XTOR1A	-	10W LED	120	W	CONTROL VIA PHOTOCCELL	

NOTES: 1. ALL FLUORESCENT LAMPS ARE TO BE 3500K AND A MINIMUM 82 CRI UNLESS NOTED OTHERWISE. S = SURFACE W = WALL TB = T-BAR  
R = RECESSED V = VALANCE DW = DRYWALL  
C = CEILING P = PENDANT CH = CHAIN



No.	REVISIONS	DATE	INITIALS
2	UV CONTROL PANEL ADDED	13/03/25	AJ
1	ISSUED FOR TENDER	13/02/26	AJ

**TOWER ENGINEERING GROUP**  
208 - 897 CORYDON AVE. WINNIPEG, MB R3M 0W7  
TEL: (204) 925-1150 FAX: (204) 925-1155  
EMAIL: towereng@towereng.ca WEB: www.towereng.ca

**J. R. Cousin Consultants Ltd.**  
Consulting Engineers and Project Managers  
91A Scurfield Blvd. Winnipeg, MB R3Y 1G4  
ph: (204) 489-0474 fax: (204) 489-0487  
email: info@jrcc.ca website: www.jrcc.ca  
Engineering Excellence since 1981

CODE: D-661.01	DESIGNED BY: AJ	PROJECT: STURGEON HEIGHTS COMMUNITY CLUB GOLDEN GATE PARK SPRAY PAD
DRAWN BY: AJ	TITLE: ELECTRICAL DETAILS	
REVIEWED BY: TT	SCALE: 1:100	DATE: 13/01/24
	PLAN: E2	SHEET: of XX