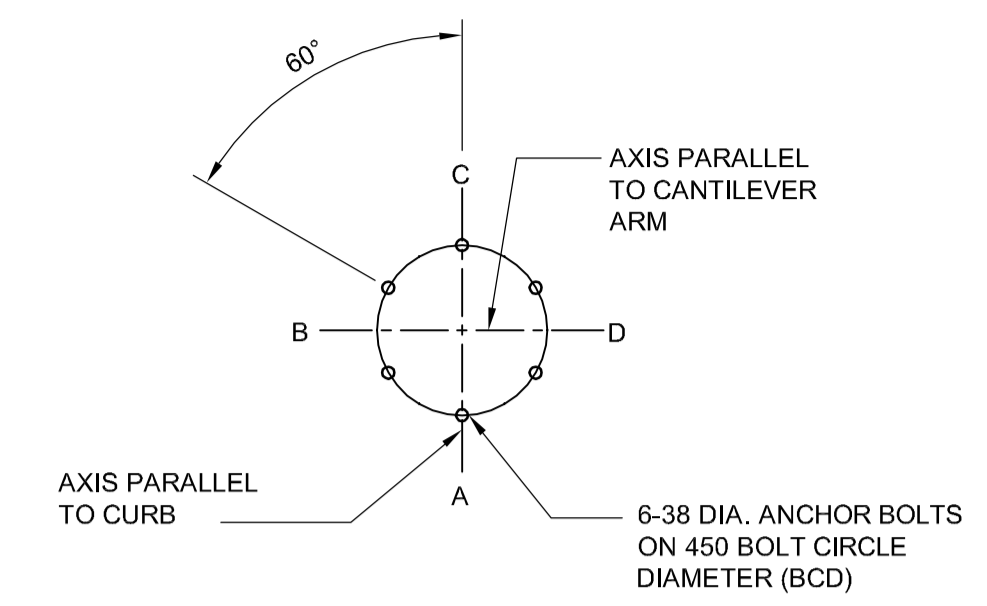
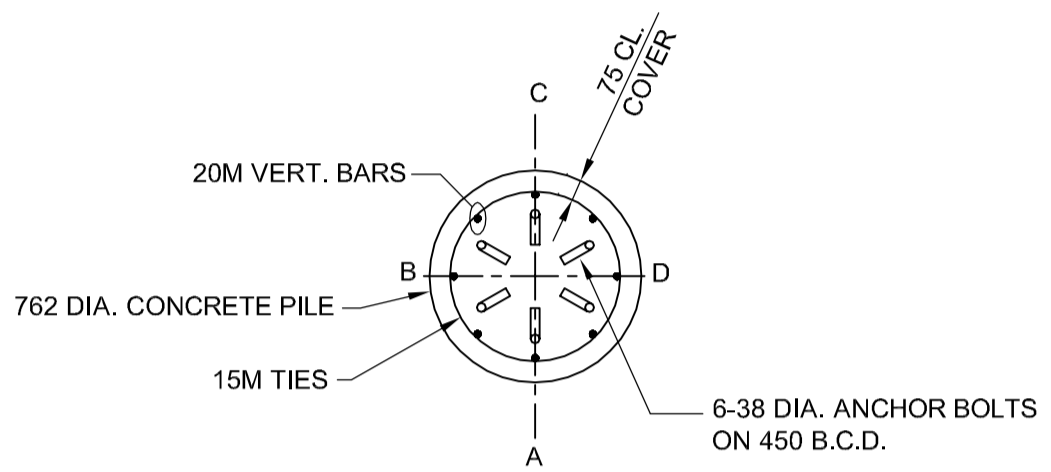


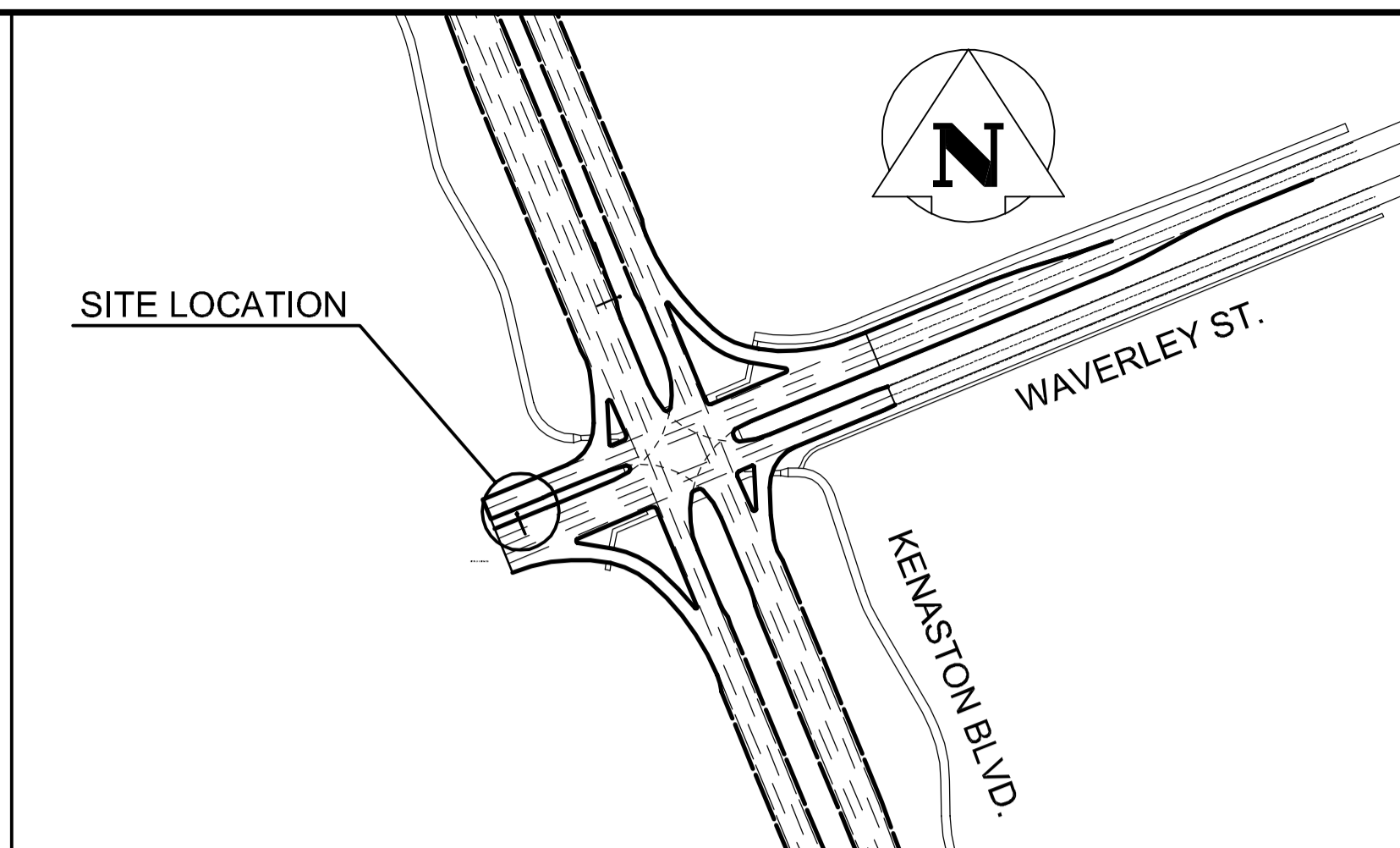
**SITE PLAN**  
1:250



**ANCHOR BOLTS LAYOUT**



**SECTION 1**  
1:20



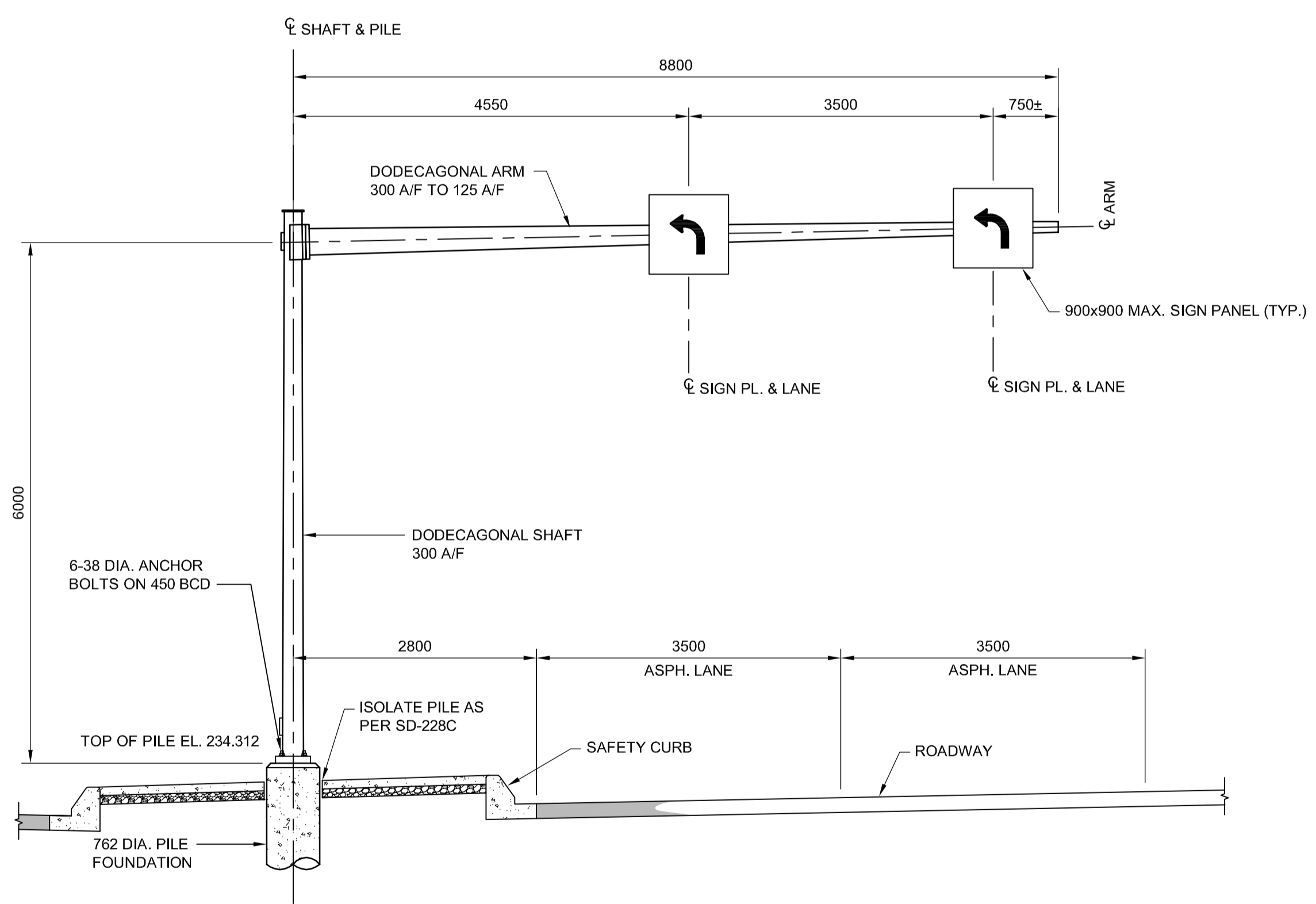
**KEY PLAN**

**PILE CONSTRUCTION NOTES**

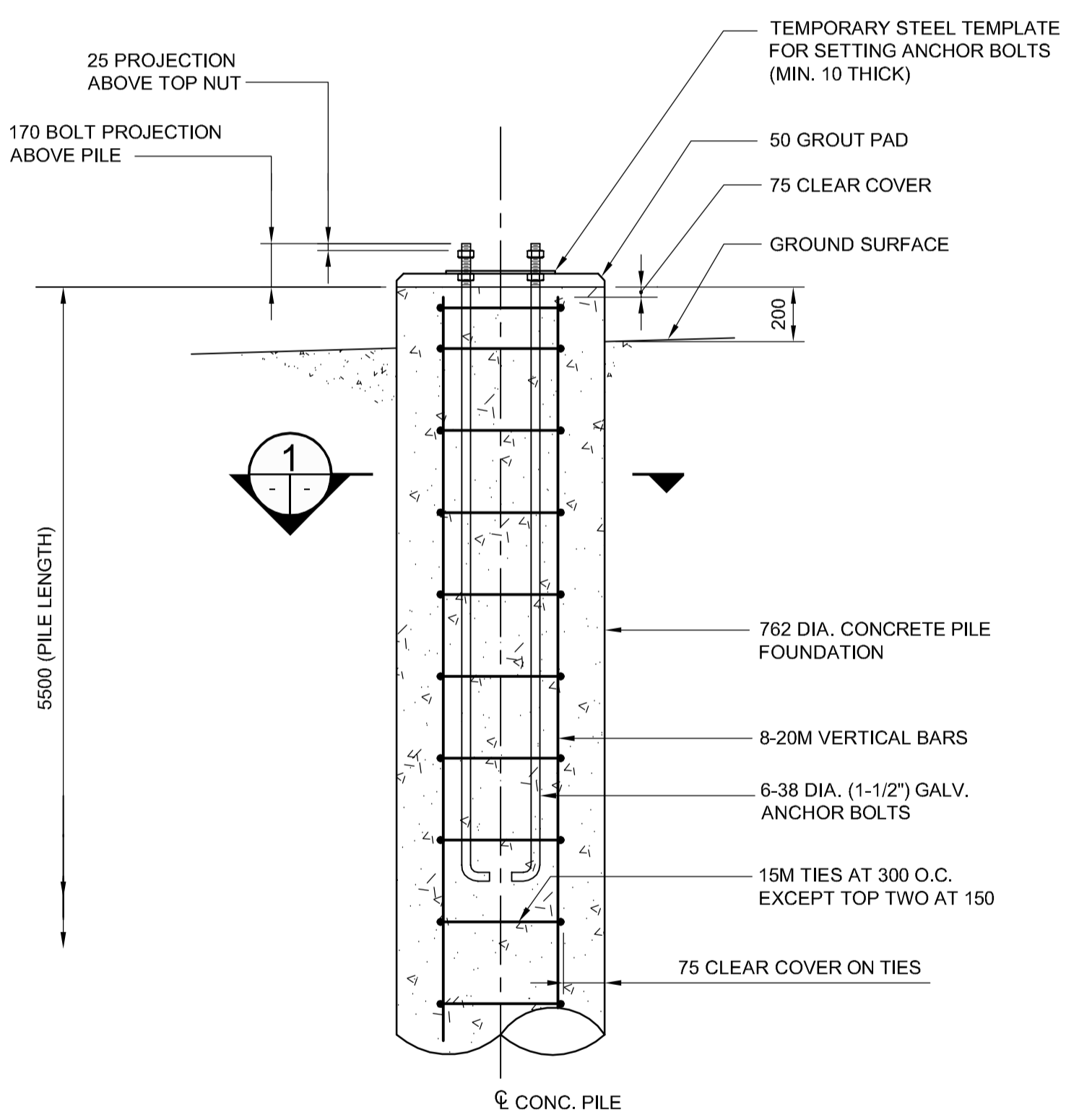
- REINFORCING STEEL**
  - CSA G30.18 GR. 400W
  - VERTICAL BARS FULL LENGTH OF PILE
  - HOT DIP GALVANIZED IN ACCORDANCE WITH ASTM A767
- ANCHOR BOLTS**
  - ASTM F1554 GR.55 (380 MPa)
  - 6-38 (1-1/2") DIA. x 1500 LONG + 150 HOOK
  - EACH BOLT C/W 2 NUTS & 2 WASHERS
  - TOP 300 THREADED
  - HOT DIP GALVANIZED FULL LENGTH
  - BCD = BOLT CIRCLE DIAMETER TO CENTRE OF BOLT GROUP
  - ANCHOR BOLTS SHALL BE ALIGNED WITH A TEMPORARY STEEL TEMPLATE. PLACEMENT OF ANCHOR BOLTS AND CONCRETE WITHOUT THE TEMPLATE WILL NOT BE PERMITTED.
  - FOLLOWING INSTALLATION OF THE STEEL STRUCTURE, TIGHTEN THE LOWER LEVELING NUTS AND UPPER ANCHOR NUTS TO A SNUG-TIGHT CONDITION, FOLLOWED BY 1/3 NUT ROTATION (+20/-0") OF THE UPPER ANCHOR NUTS.
- FORM TOP OF PILE WITH A TUBULAR FORM (SONOTUBE):**
  - 1m FOR DRILLED SHAFTS
  - 1.5m FOR HYDRO-EXCAVATED SHAFTS
- CONTRACTOR SHALL REMOVE THE ANCHOR BOLT SETTING TEMPLATE, NUTS AND FORM, FOLLOWING A MINIMUM 24 HOUR CONCRETE CURING PERIOD.**
- CONCRETE MIX DESIGN**

PROPORTIONING OF FINE AGGREGATE, COARSE AGGREGATE, CEMENT, WATER, AND AIR ENTRAINING AGENT SHALL BE SUCH AS YIELD CONCRETE HAVING THE REQUIRED STRENGTH AND WORKABILITY AS FOLLOWS:

  - CLASS OF EXPOSURE: S-1
  - MINIMUM COMPRESSIVE STRENGTH AT 56 DAYS = 35 MPa
  - MAXIMUM WATER/CEMENT RATIO = 0.40
  - AIR CONTENT: CATEGORY 2 PER TABLE 4 OF CSA A23.1-09 (4-7%)
  - CEMENT IN ACCORDANCE WITH CSA A23.1-09



**SITE ELEVATION - LOOKING EAST**  
1:50 OVERHEAD SIGN SUPPORT STRUCTURE NO. S770



**CONCRETE PILE FOUNDATION DETAIL**  
1:20



**METRIC**

WHOLE NUMBERS INDICATE MILLIMETRES  
DECIMALIZED NUMBERS INDICATE METRES

**WARNING**

- IF POWER EQUIPMENT OR EXPLOSIVES ARE TO BE USED FOR EXCAVATION ON THIS PROJECT THE CONTRACTOR MUST:
- NOTIFY THE GAS COMPANY OF THE PROPOSED LOCATION OF EXCAVATION.
  - TAKE PRECAUTION TO AVOID DAMAGE TO GAS COMPANY INSTALLATIONS SEE PROVINCIAL REGULATION 210/72 FOR DETAILS.
  - OBTAIN EXCAVATION PERMITS PRIOR TO CONSTRUCTION.

G:\CAD\126606\Contract\Contract\_3\Current\126606-09-STR-COM.dwg

150 WM	150 WM	MTS	M.T.S.	MTS	150 mm W.M.	150 mm W.M.	150 mm W.M.
HYDRANT VALVE	HYDRANT VALVE	MTS	CONCRETE ASPHALT PLANING	MTS	HYDRANT VALVE	MTS	HYDRANT VALVE
300 LDS LAND DRAINAGE SEWER	300 LDS LAND DRAINAGE SEWER	300 LDS	SIDEWALK PAVING STONES	300 mm L.D.S.	WASTE WATER SEWER	300 mm L.D.S.	WASTE WATER SEWER
250 WWS WASTE WATER SEWER	250 WWS WASTE WATER SEWER	250 WWS	PROPERTY LINE SURVEY BAR	250 mm W.W.S.	WASTE WATER SEWER	250 mm W.W.S.	WASTE WATER SEWER
MANHOLE	MANHOLE	MANHOLE	CURB RAMP	MANHOLE	WASTE WATER SEWER	MANHOLE	WASTE WATER SEWER
CATCH BASIN	CATCH BASIN	CATCH BASIN	DITCH	CATCH BASIN	WASTE WATER SEWER	CATCH BASIN	WASTE WATER SEWER
CURB INLET	CURB INLET	CURB INLET	SWALE	CURB INLET	WASTE WATER SEWER	CURB INLET	WASTE WATER SEWER
TEST HOLES	TEST HOLES	TEST HOLES		TEST HOLES	WASTE WATER SEWER	TEST HOLES	WASTE WATER SEWER
CULVERT	CULVERT	CULVERT		CULVERT	WASTE WATER SEWER	CULVERT	WASTE WATER SEWER
100 GAS	100 GAS	100 GAS		100 GAS	WASTE WATER SEWER	100 GAS	WASTE WATER SEWER
EXISTING	LEGEND-PLAN	PROPOSED	EXISTING	LEGEND-PLAN	PROPOSED	EXISTING	LEGEND-PROFILE

<p>UNDERGROUND STRUCTURES</p> <p>SUPPLY U/G STRUCTURES COMMITTEE DATE</p> <p>NOTE: LOCATION OF UNDERGROUND STRUCTURES AS SHOWN ARE BASED ON THE BEST INFORMATION AVAILABLE BUT NO GUARANTEE IS GIVEN THAT ALL EXISTING UTILITIES ARE SHOWN OR THAT THE GIVEN LOCATIONS ARE EXACT. CONFIRMATION OF EXISTENCE AND EXACT LOCATION OF ALL SERVICES MUST BE OBTAINED FROM THE INDIVIDUAL UTILITIES BEFORE PROCEEDING WITH CONSTRUCTION.</p>	<p>B.M. 654008 N: 5515764.610 E: 633359.697 ELEV. 232.463 m</p>	<p>DESIGNED BY CDW</p> <p>DRAWN BY JD</p> <p>CHECKED BY SSR</p> <p>APPROVED BY DPK</p>	<p>DESIGN TEAM</p> <p><b>DILLON CONSULTING</b></p>	<p>ENGINEER'S SEAL</p> <p>PROVINCE OF MANITOBA ORIGINAL STAMPED BY S.S. RIHAL 2013-04-05 REGISTERED PROFESSIONAL ENGINEER</p>	<p><b>THE CITY OF WINNIPEG PUBLIC WORKS DEPARTMENT</b></p> <p>WWARP III - KENASTON BLVD EXTENSION CONTRACT 3</p> <p>S770 - WAVERLEY ST. E.B. WEST OF KENASTON BLVD. LOCATION AND DETAILS</p>	<p>CITY DRAWING NUMBER S770-2013-01</p> <p>SHEET 22 OF 23</p> <p>CONSULTANT DRAWING NUMBER</p>
<p>1 ISSUED FOR TENDER 13-04-05 MRD</p> <p>0 ISSUED FOR 90% REVIEW 13-02-22 MRD</p> <p>NO. REVISIONS DATE BY</p>	<p>HOR. SCALE AS NOTED</p> <p>VERTICAL AS NOTED</p> <p>2013-04-05</p>	<p>RELEASED FOR CONSTRUCTION</p> <p>DATE</p>	<p>CONSULTANT PROJECT NUMBER 12-6606</p>	<p>DATE</p>	<p>DATE</p>	<p>DATE</p>