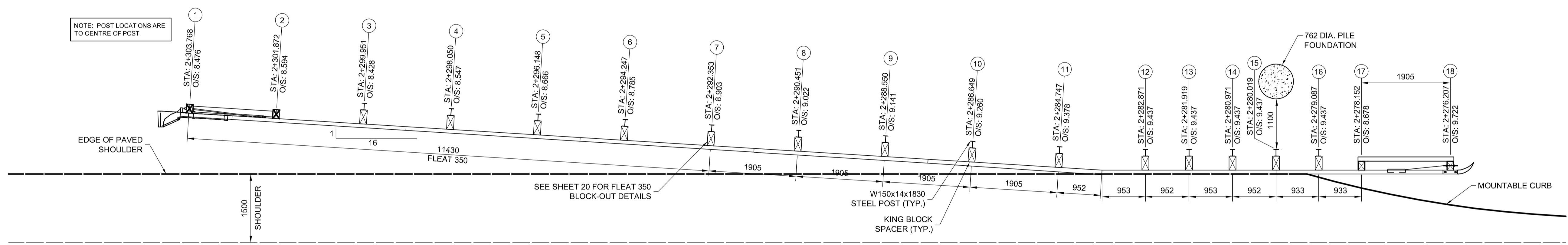
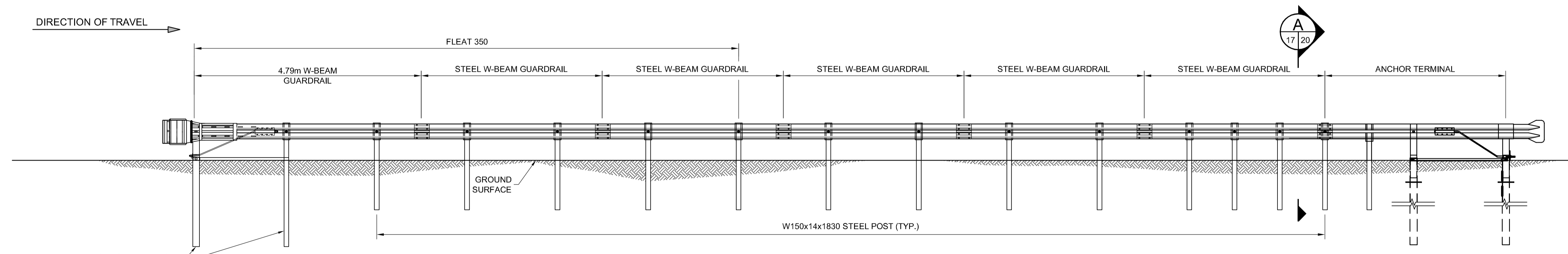


SITE PLAN
1:200

KEY PLAN



PLAN - MIDWEST GUARD RAIL SYSTEM
1:50



ELEVATION LOOKING EAST - MIDWEST GUARD RAIL SYSTEM
1:50

APEGM
Certificate of Authorization
Dillon Consulting Limited (MB)
No. 1789 Date: 2013-04-05

METRIC
WHOLE NUMBERS INDICATE MILLIMETRES
DECIMALIZED NUMBERS INDICATE METRES

WARNING

- IF POWER EQUIPMENT OR EXPLOSIVES ARE TO BE USED FOR EXCAVATION ON THIS PROJECT THE CONTRACTOR MUST:
1. NOTIFY THE GAS COMPANY OF THE PROPOSED LOCATION OF EXCAVATION.
 2. TAKE PRECAUTION TO AVOID DAMAGE TO GAS COMPANY INSTALLATIONS SEE PROVINCIAL REGULATION 210/72 FOR DETAILS.
 3. OBTAIN EXCAVATION PERMITS PRIOR TO CONSTRUCTION.

G:\CAD\126606\Contract\Contract_3\Current\126606-09-STR_Guard_Rails.dwg

150 WM	WATERMAIN	150 WM	MTS	M.T.S.	150 mm W.M.	WATERMAIN	150 mm W.M.
⊕	HYDRANT	⊕	MTS	CONCRETE	+	HYDRANT	+
⊗	VALVE	⊗	MTS	ASPHALT	⊗	VALVE	⊗
300 LDS	LAND DRAINAGE SEWER	300 LDS	MTS	PLANNING	300 mm L.D.S.	LAND DRAINAGE SEWER	300 mm L.D.S.
250 WWS	WASTE WATER SEWER	250 WWS	MTS	PAVING STONES	250 mm W.W.S.	WASTE WATER SEWER	250 mm W.W.S.
○	MANHOLE	●	MTS	PROPERTY LINE	---	MANHOLE	○
□	CATCH BASIN	■	MTS	PAVING STONES	---	CATCH BASIN	□
▽	CURB INLET	▽	MTS	PROPERTY LINE	---	CURB INLET	▽
●	TEST HOLES	●	MTS	PAVING STONES	---	TEST HOLES	●
○	CULVERT	○	MTS	PROPERTY LINE	---	CULVERT	○
100 GAS	GAS	100 GAS	MTS	PROPERTY LINE	---	GAS	100 GAS
---	EXISTING	---	MTS	PROPERTY LINE	---	EXISTING	---
---	LEGEND-PLAN	---	MTS	PROPERTY LINE	---	LEGEND-PROFILE	---
---	PROPOSED	---	MTS	PROPERTY LINE	---	PROPOSED	---

UNDERGROUND STRUCTURES SUPPLY, U/G STRUCTURES COMMITTEE DATE		B.M. 654008 N: 5515764.610 E: 633359.697 ELEV. 232.463 m		DESIGNED BY MRD DRAWN BY JD CHECKED BY DBW APPROVED BY DPK		DESIGN TEAM 		ENGINEER'S SEAL 			
NOTE: LOCATION OF UNDERGROUND STRUCTURES AS SHOWN ARE BASED ON THE BEST INFORMATION AVAILABLE BUT NO GUARANTEE IS GIVEN THAT ALL EXISTING UTILITIES ARE SHOWN OR THAT THE GIVEN LOCATIONS ARE EXACT. CONFIRMATION OF EXISTENCE AND EXACT LOCATION OF ALL SERVICES MUST BE OBTAINED FROM THE INDIVIDUAL UTILITIES BEFORE PROCEEDING WITH CONSTRUCTION.		1 ISSUED FOR TENDER 13-04-05 MRD 0 ISSUED FOR 90% REVIEW 13-02-22 MRD		HOR. SCALE AS NOTED VERTICAL AS NOTED		RELEASED FOR CONSTRUCTION DATE		CONSULTANT PROJECT NUMBER 12-6606		THE CITY OF WINNIPEG PUBLIC WORKS DEPARTMENT WWARP III - KENASTON BLVD EXTENSION CONTRACT 3 S769 - KENASTON BLVD. S.B. NORTH OF WAVERLEY ST. OHSS AND GUARDRAIL LOCATION	
NO. REVISIONS		DATE BY		DATE		DATE		CITY DRAWING NUMBER S769-2013-01		SHEET OF 17 OF 23	
								CONSULTANT DRAWING NUMBER			