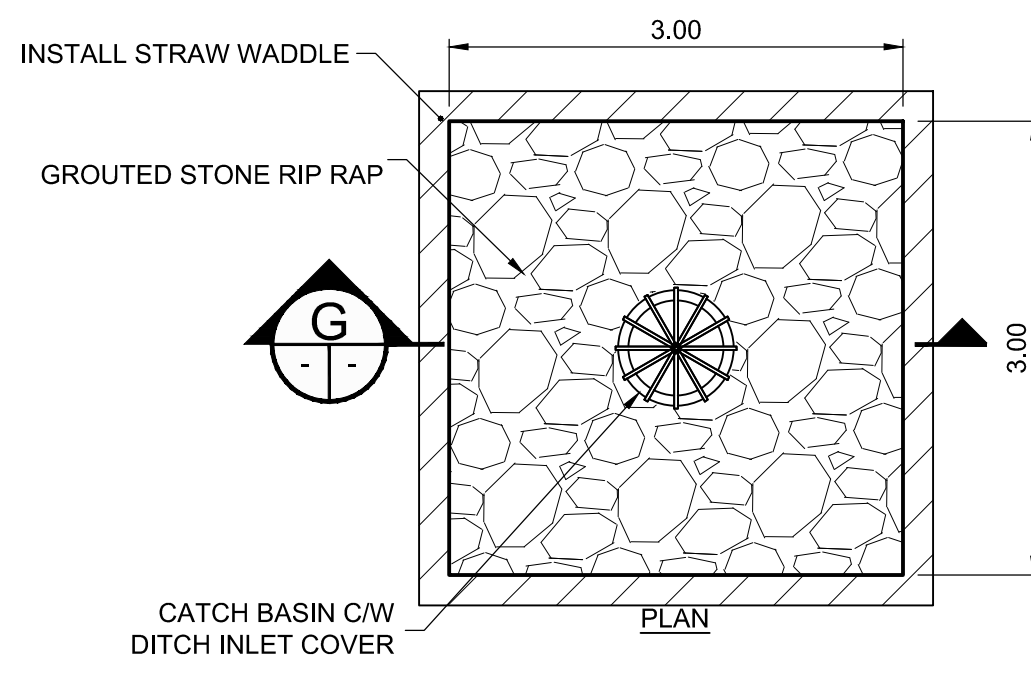
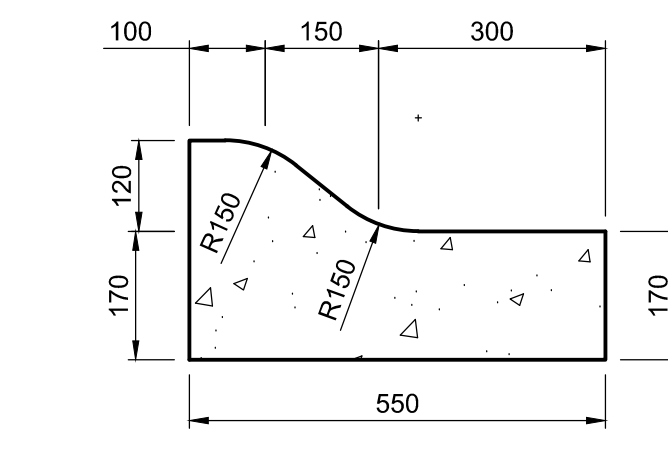


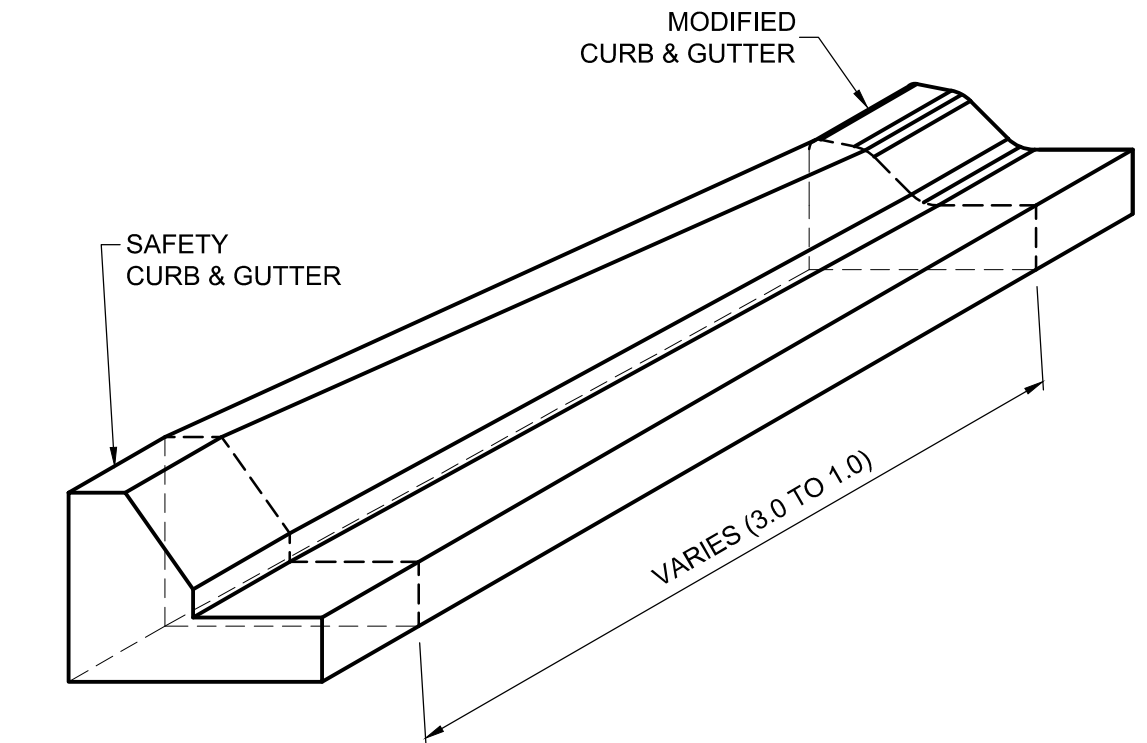
1 GROUTED STONE RIPRAP AT CATCH PIT
5, 6, 7, 8, 9 | 15 SCALE 1:50



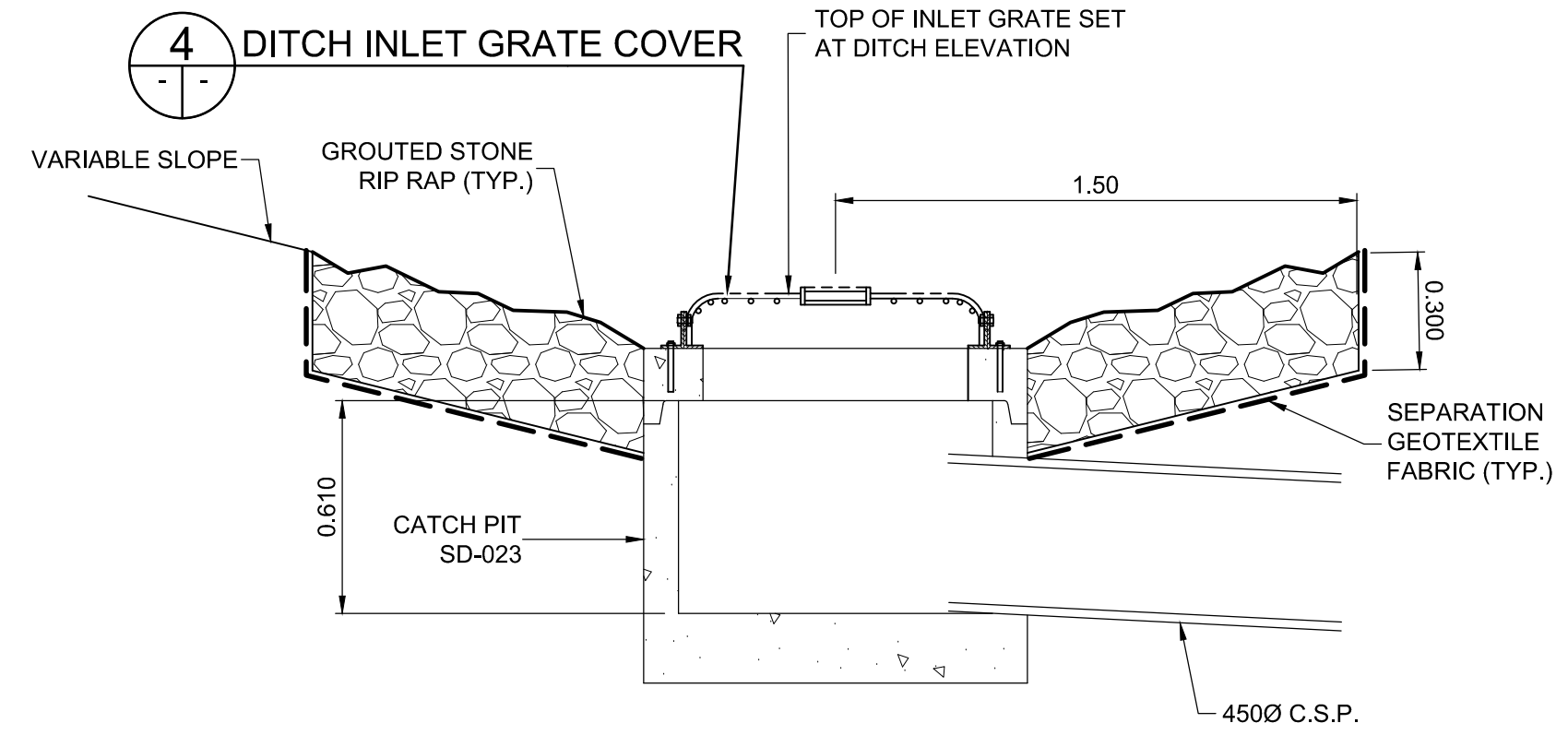
2 GROUTED STONE RIPRAP AT CATCH BASIN
6 | 15 SCALE 1:50



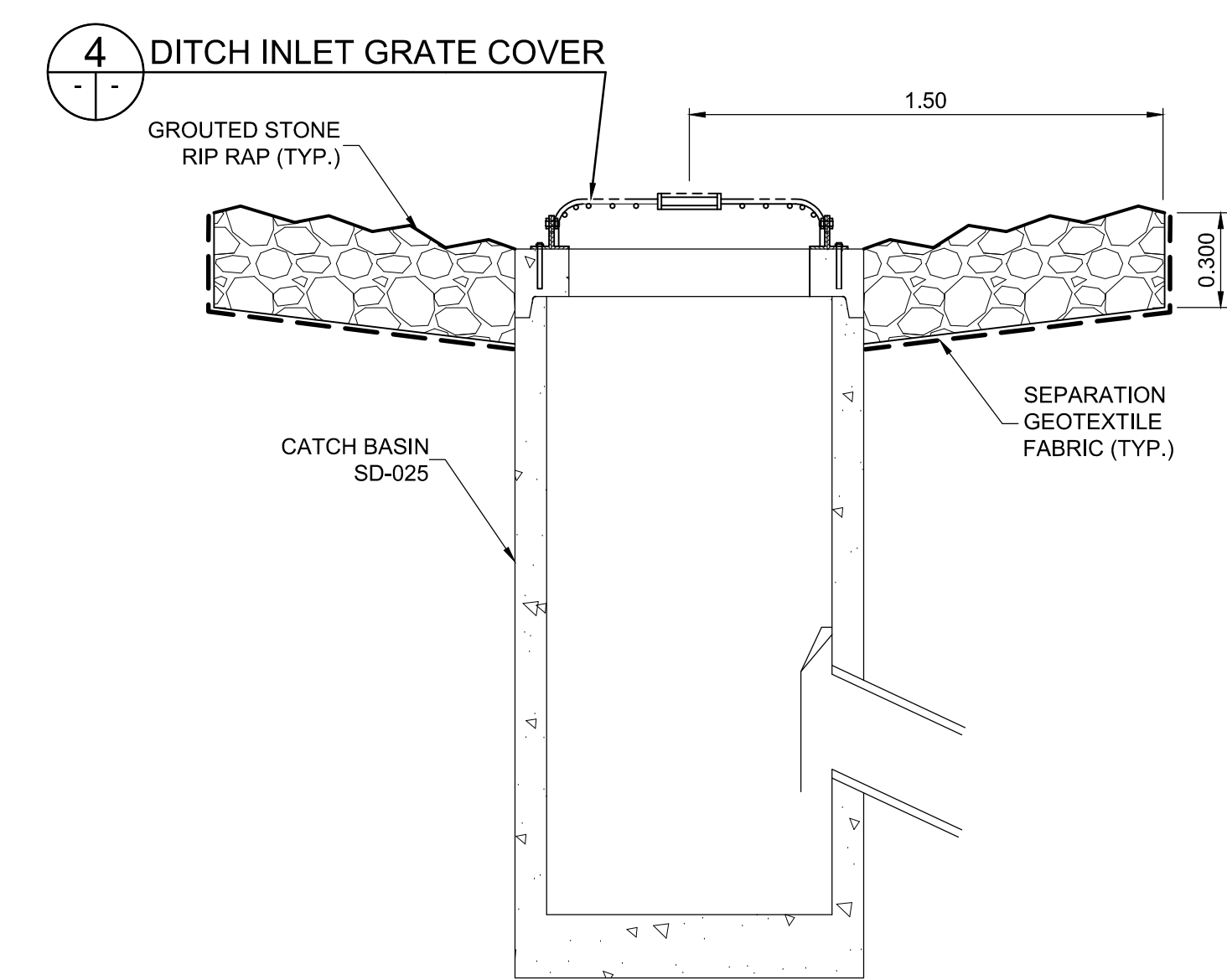
10 MOUNTABLE CURB & GUTTER
10 | 15 SCALE 1:10



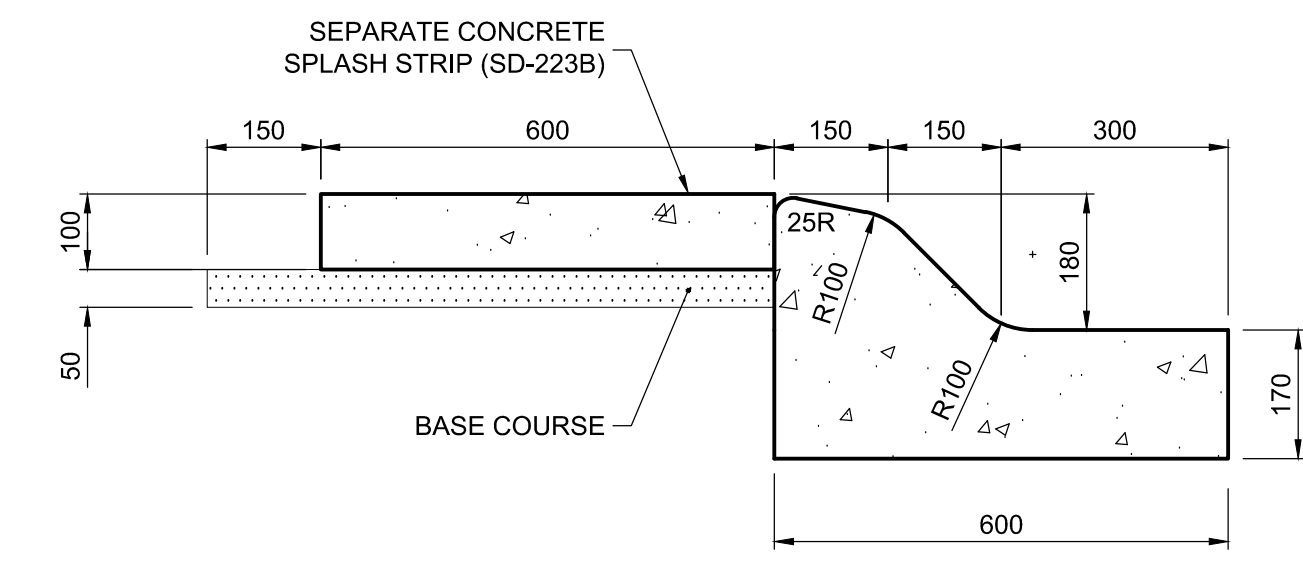
14 CURB TRANSITION
10 | 15 SCALE 1:20



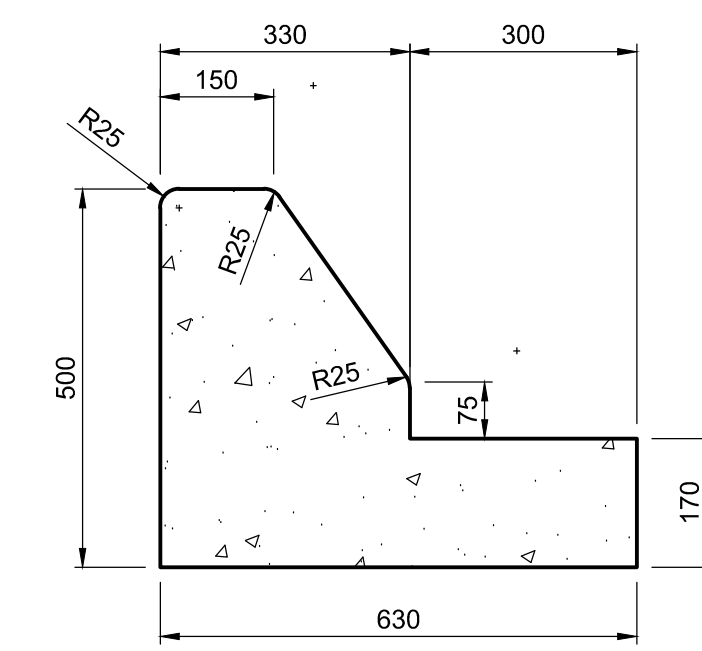
H SECTION
SCALE 1:20



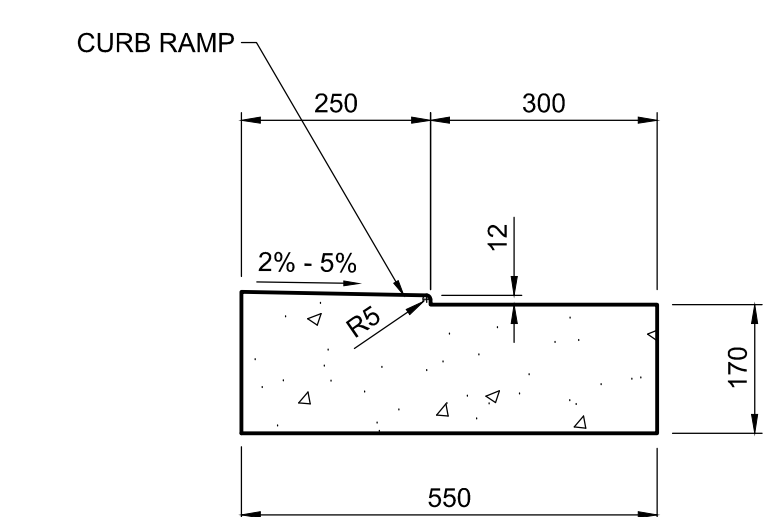
G SECTION
SCALE 1:20



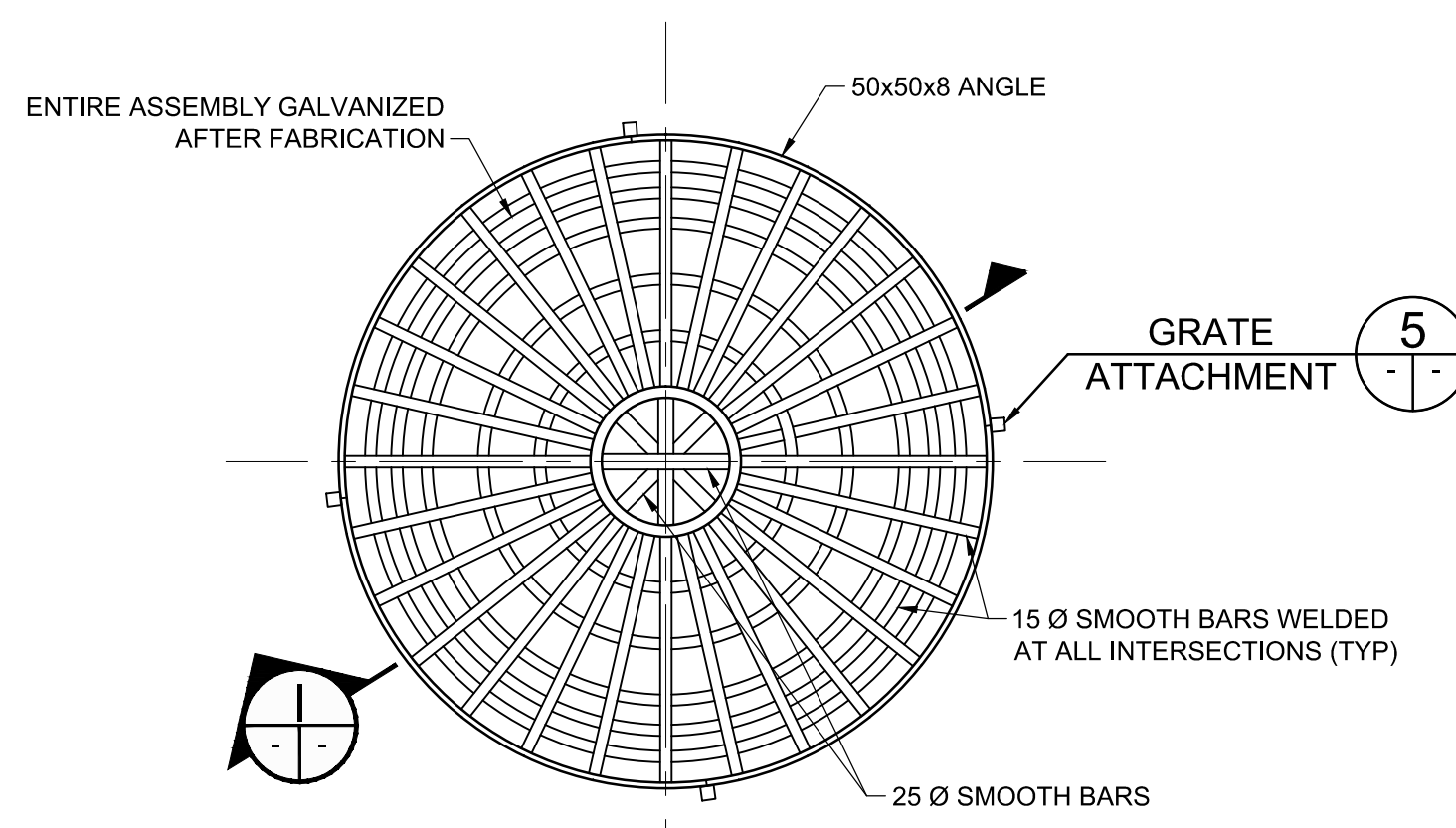
11 MODIFIED BARRIER CURB & GUTTER
10 | 15 SCALE 1:10



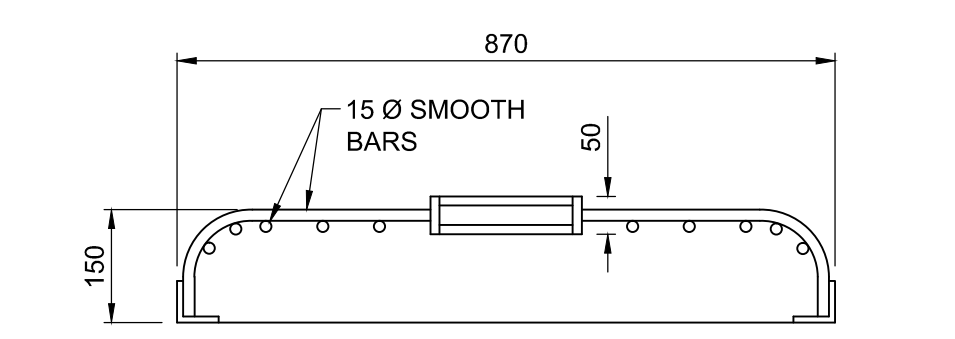
12 SAFETY CURB & GUTTER
10 | 15 SCALE 1:10



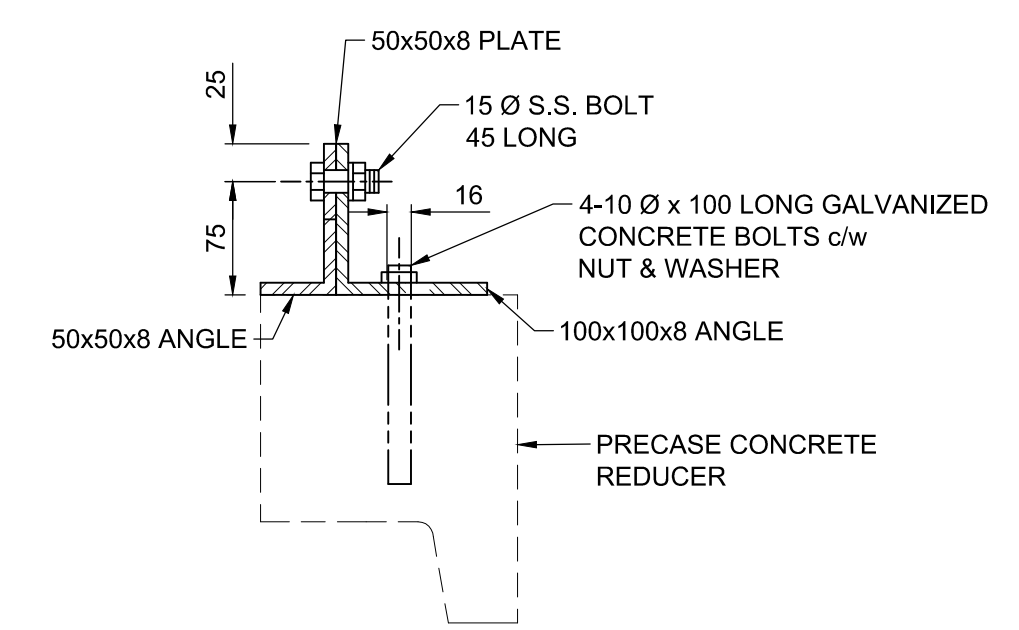
13 CURB RAMP & GUTTER
7 | 15 SCALE 1:10



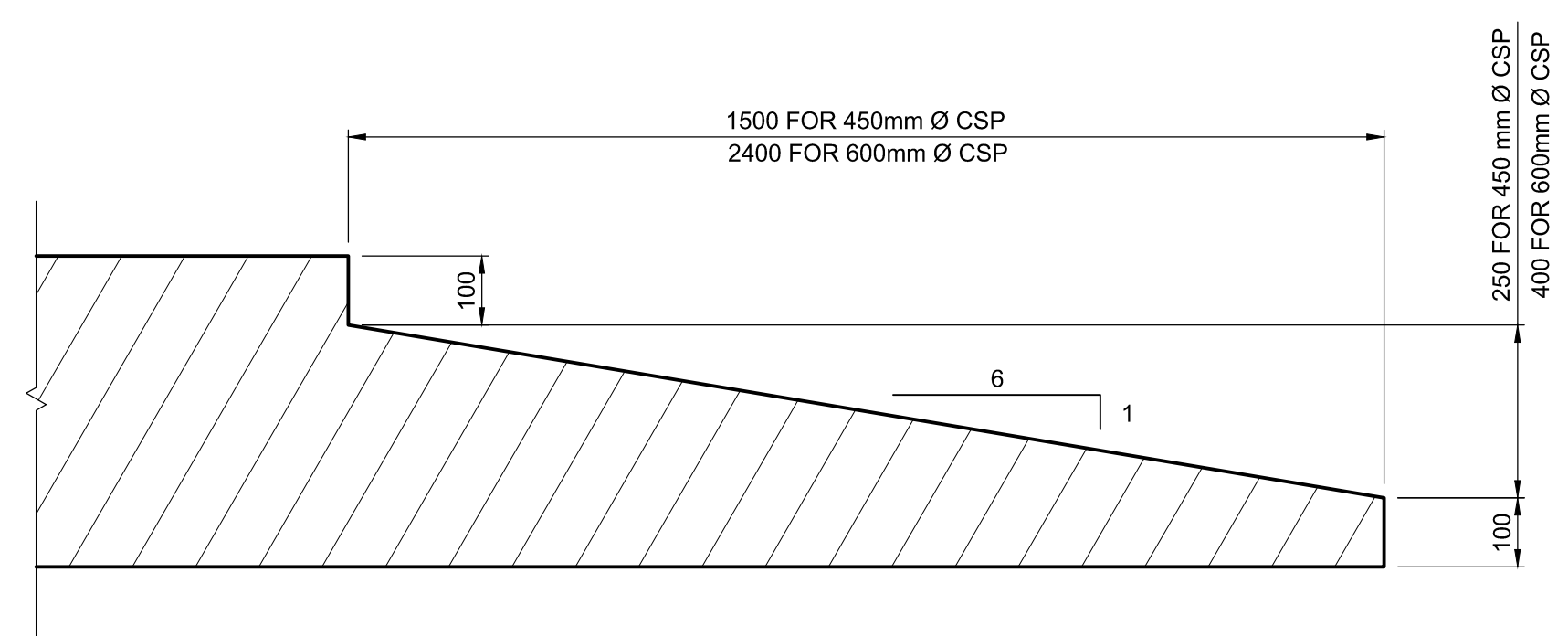
4 DITCH INLET GRATE COVER
SCALE 1:10



SECTION - DITCH INLET GRATE COVER
SCALE 1:10



5 GRATE ATTACHMENT
SCALE 1:5



15 CSP CULVERT BEVELLED END
5, 6, 7, 8, 9 | 15 SCALE 1:10

APEGM
Certificate of Authorization
Dillon Consulting Limited (MB)
No. 1789 Date: 2013-04-05

METRIC
WHOLE NUMBERS INDICATE MILLIMETRES
DECIMALIZED NUMBERS INDICATE METRES

- WARNING**
- IF POWER EQUIPMENT OR EXPLOSIVES ARE TO BE USED FOR EXCAVATION ON THIS PROJECT THE CONTRACTOR MUST:
1. NOTIFY THE GAS COMPANY OF THE PROPOSED LOCATION OF EXCAVATION.
 2. TAKE PRECAUTION TO AVOID DAMAGE TO GAS COMPANY INSTALLATIONS SEE PROVINCIAL REGULATION 210/72 FOR DETAILS.
 3. OBTAIN EXCAVATION PERMITS PRIOR TO CONSTRUCTION.

G:\CAD\126606\Contract\Contract_3\Current\Details.dwg

150 W.M.	WATERMAIN	150 W.M.	MTS	M.T.S.	MTS	150 mm W.M.	WATERMAIN	150 mm W.M.	UNDERGROUND STRUCTURES	B.M. 654008 N: 5515764.610 E: 633359.697 ELEV. 232.463 m	DESIGNED BY MRD	DESIGN TEAM	ENGINEER'S SEAL	<p>THE CITY OF WINNIPEG PUBLIC WORKS DEPARTMENT</p>
300 L.D.S.	LAND DRAINAGE SEWER	300 L.D.S.	CONCRETE	CONCRETE	300 mm L.D.S.	LAND DRAINAGE SEWER	300 mm L.D.S.	DATE	SUPPL. U/O STRUCTURES COMMITTEE NOTE: LOCATION OF UNDERGROUND STRUCTURES AS SHOWN ARE BASED ON THE BEST INFORMATION AVAILABLE. BUT NO GUARANTEE IS GIVEN THAT ALL EXISTING UTILITIES ARE SHOWN OR THAT THE GIVEN LOCATIONS ARE EXACT. CONFIRMATION OF EXISTENCE AND EXACT LOCATION OF ALL SERVICES MUST BE OBTAINED FROM THE INDIVIDUAL UTILITIES BEFORE PROCEEDING WITH CONSTRUCTION.	DRAWN BY PMW CHECKED BY DBW APPROVED BY DPK	<p>DILLON CONSULTING</p>		CITY DRAWING NUMBER P-3344-15	
250 W.W.S.	WASTE WATER SEWER	250 W.W.S.	ASPHALT	ASPHALT	250 mm W.W.S.	WASTE WATER SEWER	250 mm W.W.S.	DATE	NO. REVISIONS DATE BY	1 ISSUED FOR TENDER 13-04-05 MRD 0 ISSUED FOR 90% REVIEW 13-02-22 MRD	HOR. SCALE AS NOTED VERTICAL AS NOTED	RELEASED FOR CONSTRUCTION DATE	CONSULTANT PROJECT NUMBER 12-6606	SHEET OF 15 OF 23
100 GAS	GAS	100 GAS	PAVING STONES	PAVING STONES	100 GAS	GAS	100 GAS	DATE					CONSULTANT DRAWING NUMBER DETAILS	
EXISTING	LEGEND-PLAN	PROPOSED	EXISTING	LEGEND-PLAN	PROPOSED	EXISTING	LEGEND-PROFILE	PROPOSED						