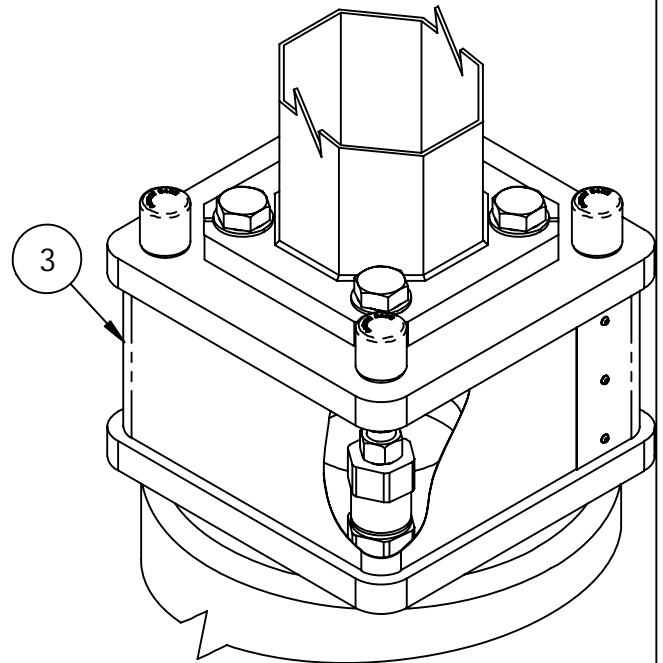
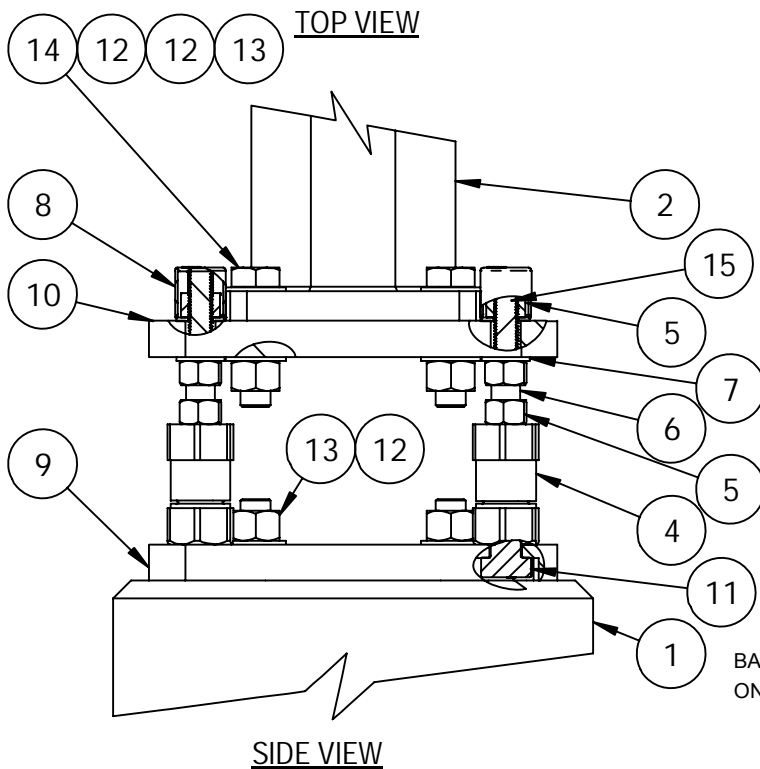


ITEM NO.	QTY.	DESCRIPTION
1	1	TYPE G FOUNDATION (BY OTHERS)
2	1	SIGNAL POLE (BY OTHERS)
3	1	SHROUD ASSEMBLY
4	4	FRANGIBLE COUPLING
5	12	1" - 8 UNC HEAVY HEX NUT
6	4	SPACER
7	8	1" FLAT WASHER
8	4	FASTENER COVER
9	1	REACTION PLATE
10	1	TRANSITION PLATE
11	4	1 1/4" - 7 UNC HEX BOLT X 2" LG
12	12	1 1/4" FLATWASHER
13	8	1 1/4" HEAVY HEX NUT
14	4	1 1/4" - 7 UNC HEX HD BOLT X 5" LG.
15	4	1" - 8 UNC STUD



BASE C/W 1 1/4" Ø - 7 UNC ANCHORS  
ON Ø 292 BCD

ISOMETRIC VIEW

DIMENSIONS ARE IN MILLIMETRES  
(UNLESS OTHERWISE NOTED)



**THE CITY OF WINNIPEG**  
PUBLIC WORKS DEPARTMENT

REFERENCE SPEC. NO:

N/A


No.	Date	Description	By

TYPE G-T BREAKAWAY BASE ASSEMBLY

Designed By: SBTE	Drawn By: SBTE	Scale : 1:8
Checked By:	Date: AUG 7/12	Drawing No. G-T
Approved:		