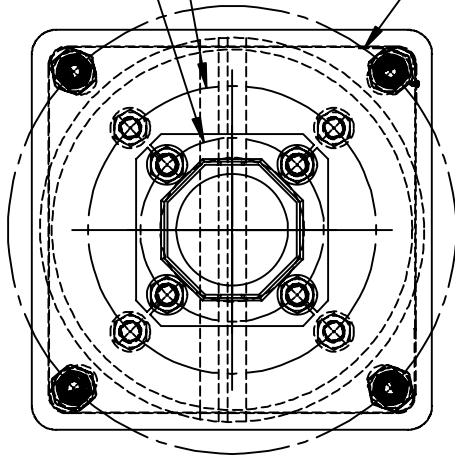
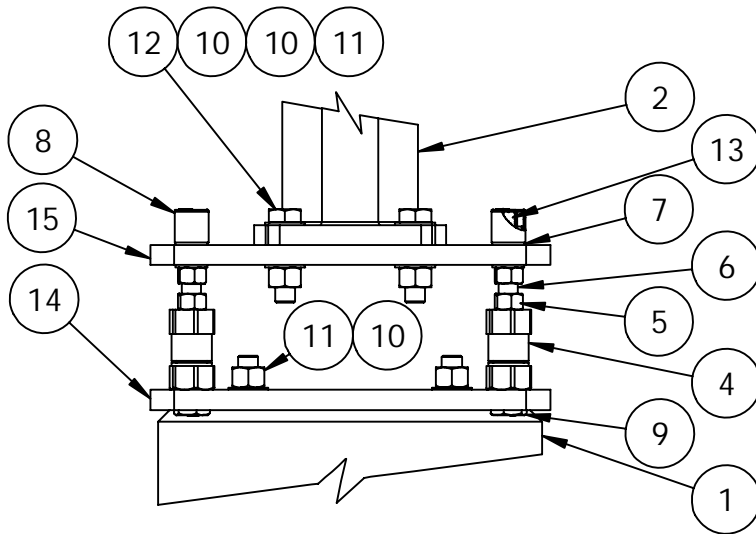


ϕ 292 BCD ϕ 457 BCD ϕ 711 BCD

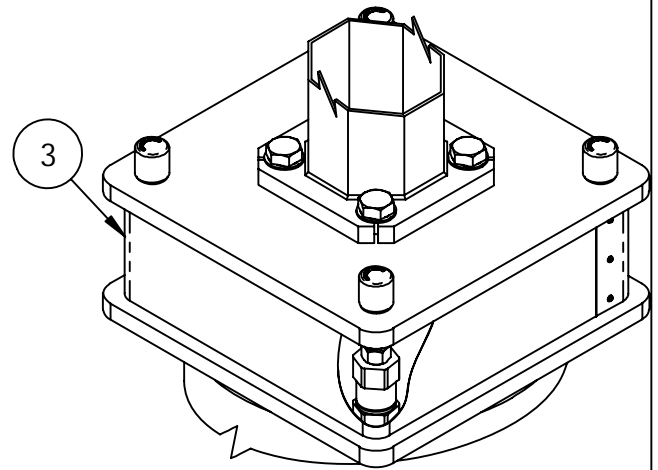


TOP VIEW



SIDE VIEW

ITEM NO.	QTY.	DESCRIPTION
1	1	TYPE D FOUNDATION (BY OTHERS)
2	1	SIGNAL POLE (BY OTHERS)
3	1	SHROUD ASSEMBLY
4	4	FRANGIBLE COUPLING
5	12	1" - 8 UNC HEAVY HEX NUT
6	4	SPACER
7	8	1" FLAT WASHER
8	4	FASTENER COVER
9	4	1 1/4" - 7 UNC HEX BOLT X 2" LG
10	12	1 1/4" FLATWASHER
11	8	1 1/4" HEAVY HEX NUT
12	4	1 1/4" - 7 UNC HEX HD BOLT X 5" LG.
13	4	1" - 8 UNC STUD
14	1	REACTION PLATE
15	1	TRANSITION PLATE



ISOMETRIC VIEW

BASE C/W 1 1/4" ϕ - 7 UNC ANCHORS
ON ϕ 457 BCD

DIMENSIONS ARE IN MILLIMETRES
(UNLESS OTHERWISE NOTED)



THE CITY OF WINNIPEG
PUBLIC WORKS DEPARTMENT

REFERENCE SPEC. NO:

N/A

No.	Date	Description	By

TYPE D-T BREAKAWAY BASE ASSEMBLY

Designed By: SBTE

Drawn By: SBTE

Scale :

1:12

Checked By:

Date: AUG 9/12

Drawing No.

Approved:

D-T