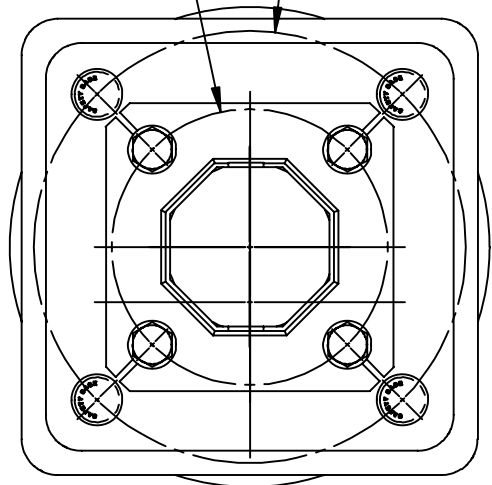
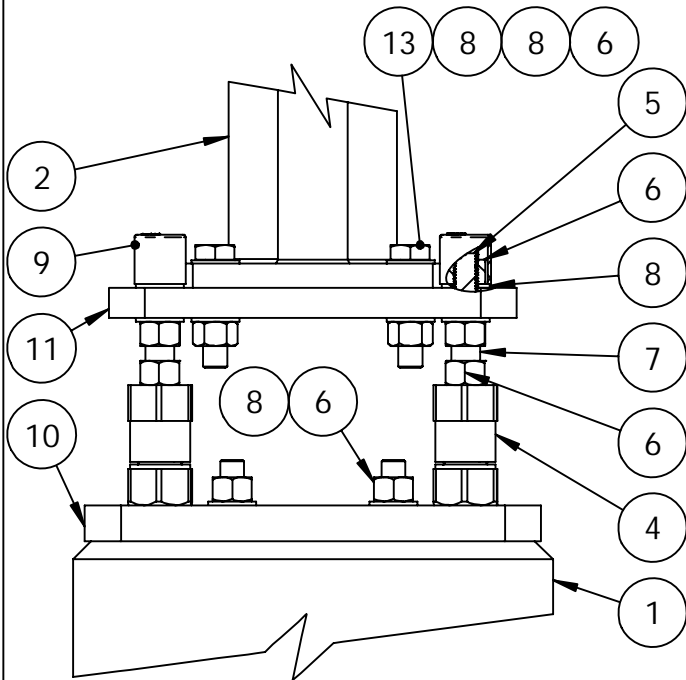


Ø 292 BCD Ø 457 BCD

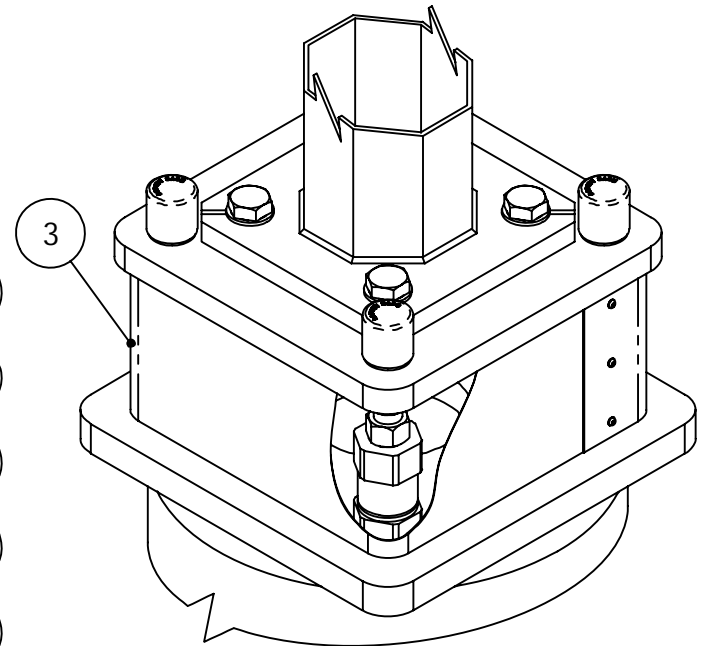


TOP VIEW

ITEM NO.	QTY.	DESCRIPTION
1	1	TYPE B FOUNDATION (BY OTHERS)
2	1	SIGNAL POLE (BY OTHERS)
3	1	SHROUD ASSEMBLY
4	4	FRANGIBLE COUPLING
5	4	1" - 8 UNC STUD
6	20	1" - 8 UNC HEAVY HEX NUT
7	4	SPACER
8	20	1" FLAT WASHER
9	4	FASTENER COVER
10	1	REACTION PLATE
11	1	TRANSITION PLATE
12	4	1" - 8 UNC HEX HD BOLT X 2" LG
13	4	1" - 8 UNC HEX HD BOLT X 4 1/2" LG.



SIDE VIEW



ISOMETRIC VIEW

1 BASE C/W 1" Ø - 8 UNC ANCHORS
ON Ø241 BCD

DIMENSIONS ARE IN MILLIMETRES
(UNLESS OTHERWISE NOTED)



THE CITY OF WINNIPEG
PUBLIC WORKS DEPARTMENT

REFERENCE SPEC. NO:

N/A

No.	Date	Description	By

TYPE B-T BREAKAWAY BASE ASSEMBLY

Designed By: SBTE	Drawn By: SBTE	Scale : 1:8
Checked By:	Date: AUG 7/12	Drawing No.
Approved:		B-T