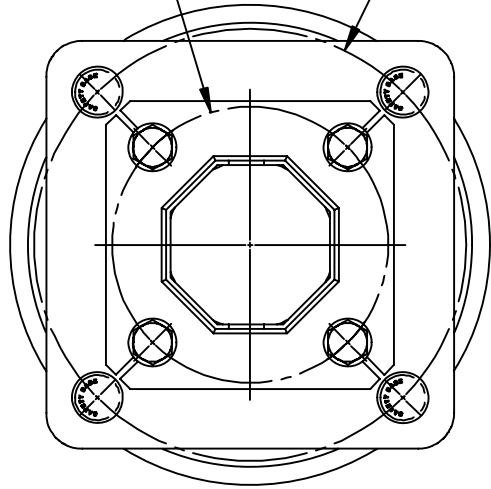
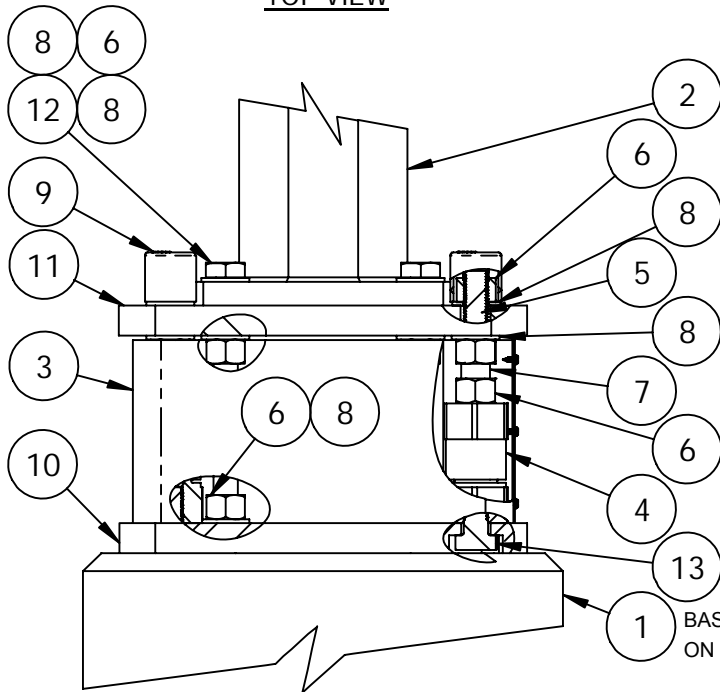


Ø 292 BCD Ø 457 BCD

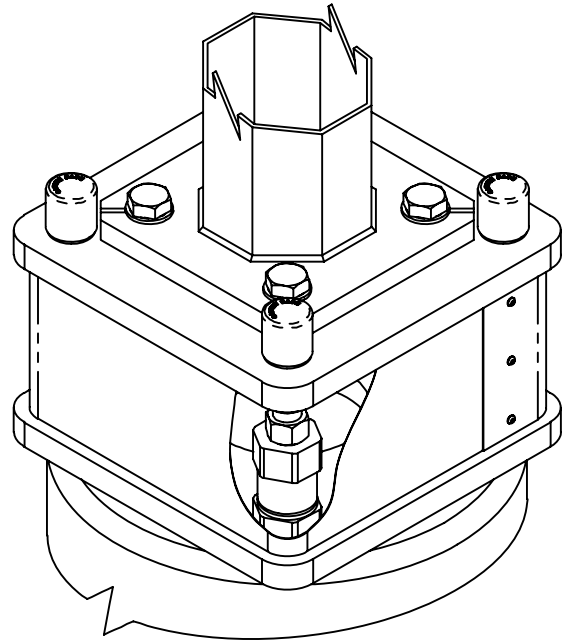


TOP VIEW



SIDE VIEW

ITEM NO.	QTY.	DESCRIPTION
1	1	TYPE A FOUNDATION (BY OTHERS)
2	1	SIGNAL POLE (BY OTHERS)
3	1	SHROUD ASSEMBLY
4	4	FRANGIBLE COUPLING
5	4	1" - 8 UNC STUD
6	20	1" - 8 UNC HEAVY HEX NUT
7	4	SPACER
8	20	1" FLAT WASHER
9	4	FASTENER COVER
10	1	REACTION PLATE
11	1	TRANSITION PLATE
12	4	1" - 8 UNC HEX HD BOLT X 4 1/2" LG.
13	4	1" - 8 UNC HEX HD BOLT X 2" LG



ISOMETRIC VIEW

BASE C/W 1" Ø - 8 UNC ANCHORS
ON Ø 292 BCD

DIMENSIONS ARE IN MILLIMETRES
(UNLESS OTHERWISE NOTED)



THE CITY OF WINNIPEG
PUBLIC WORKS DEPARTMENT

REFERENCE SPEC. NO:

N/A

No.	Date	Description	By

TYPE A-T BREAKAWAY BASE ASSEMBLY

Designed By: SBTE

Drawn By: SBTE

Scale :
1:8

Checked By:

Date: AUG 5/12

Drawing No.

Approved:

A-T