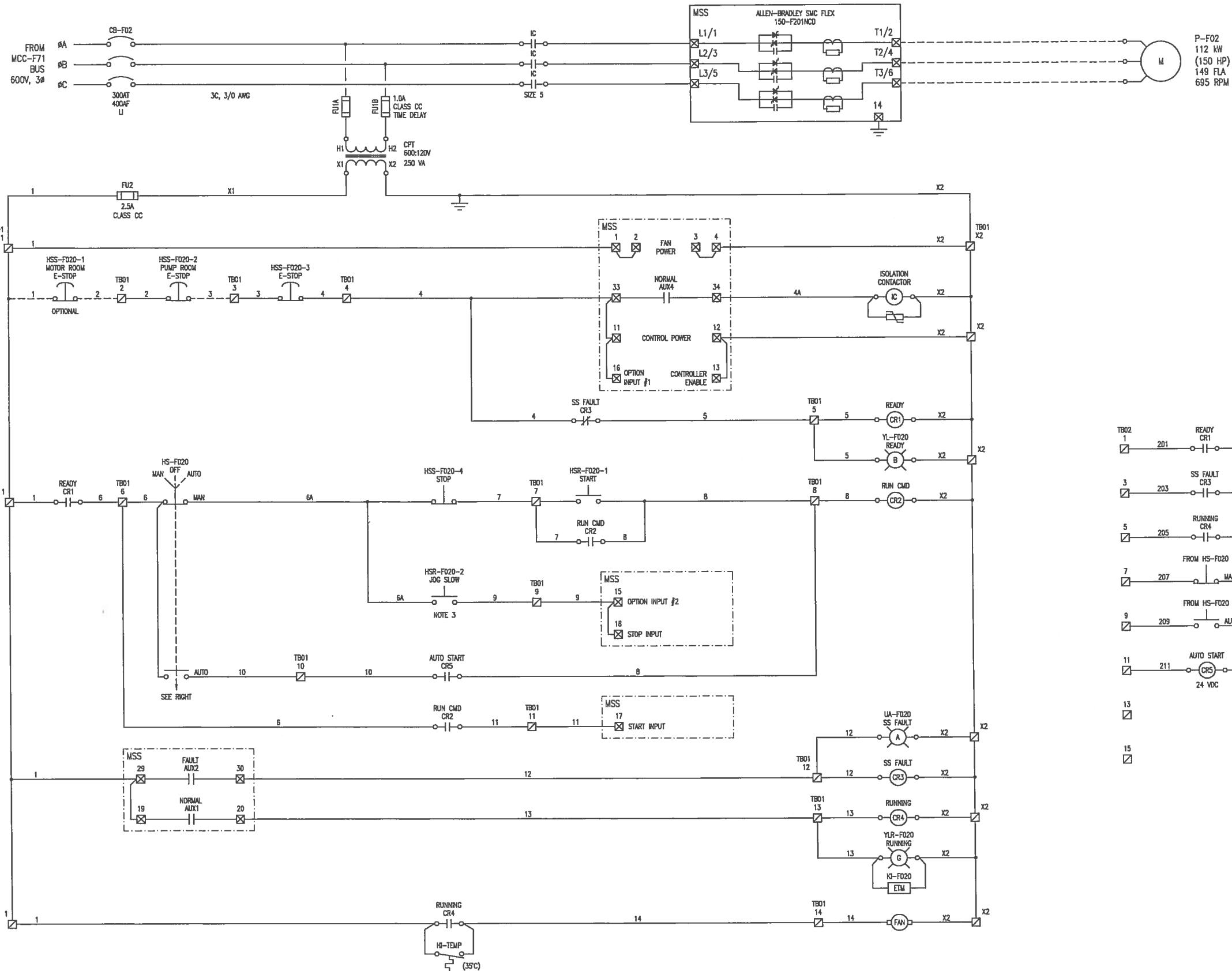
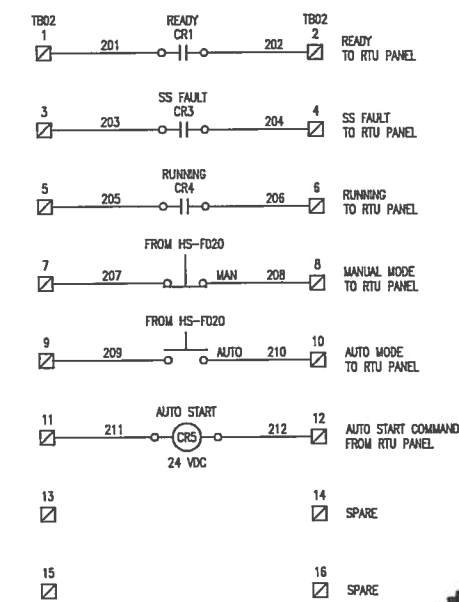


A1 SIZE - 564mm x 811mm



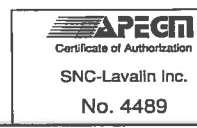
LEGEND:

- ☐ SOFT START ENCLOSURE TERMINAL
- ☒ SOFT START DEVICE TERMINAL
- ⊞ CONTACT
- ⊞ INDICATING LIGHT, R = RED, A = AMBER, G = GREEN, B = BLUE
- ⊞ RELAY COIL
- ⊞ TRANSIENT VOLTAGE SUPPRESSOR
- ⊞ ETM ELAPSED TIME METER
- ⊞ AMMETER



- NOTES:**
- COMPLETE ASSEMBLY TO HAVE A SHORT CIRCUIT CURRENT RATING OF 18KA OR HIGHER.
 - ALL REMOTE WIRING IS 24VDC.
 - JOG SLOW WILL OPERATE THE MOTOR AT A SLOW SPEED, WHEREBY THE CENTRIFUGAL PUMP WILL NOT ACTUALLY LIFT THE WASTEWATER. CONFIRMATION OF PUMPING, OR LACK THEREOF, DURING SLOW SPEED OPERATION IS BY OTHERS.

1-0136F-E0007	CONNECTION DIAGRAM - MS-FD2
1-0136F-E0009	PANEL LAYOUT - MS-FD2
DRAWING NUMBER	REFERENCE DRAWINGS



DESIGNED BY:	B. CLEVEN	CHECKED BY:	
DRAWN BY:	S. FLANK	APPROVED BY:	
SCALE:	NTS	RELEASED FOR CONSTRUCTION	
DATE:	2012/11/05	DATE:	2013/02/25
ISSUED FOR TENDER, BID OPP. 177-2013	2013/02/25	B.J.C.	
REVISIONS	DATE	DESIGN	CHECK

SNC-LAVALIN INC.
 148 Heberts Park Way
 Winnipeg, MB, Canada R2P 0Z7
 204-784-8880

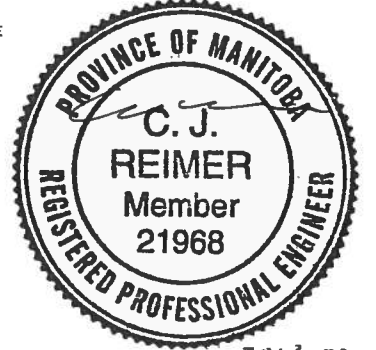
CONSULTANT NO.: 611511-0000-4700-0006

ENGINEER'S SEAL

THE CITY OF WINNIPEG
 WATER AND WASTE DEPARTMENT

DESPIENS FLOOD PUMPING STATION
 MOTOR STARTER SCHEMATIC
 MS-FD2
 FLOOD PUMP P-FD2

CITY DRAWING NUMBER: 1-0136F-E0006
 SHEET: 001
 REV: 00
 SIZE: A1



2013-02-26
 Rev 00

SME, 2013/02/26 - 10:20am
 The: \\A101311\VENCA\7ELE\00 - General DWG\1-0136F-E0009-01-00.dwg

1-0136F-E0006-001-00.dwg