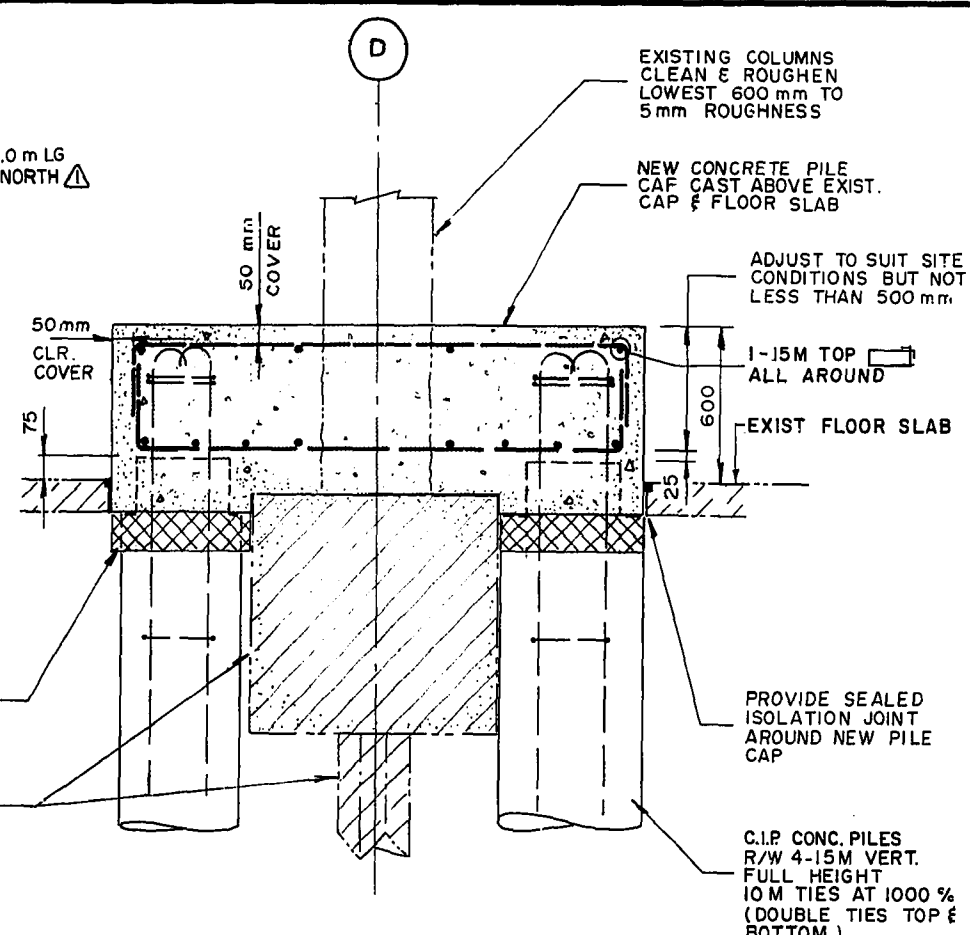
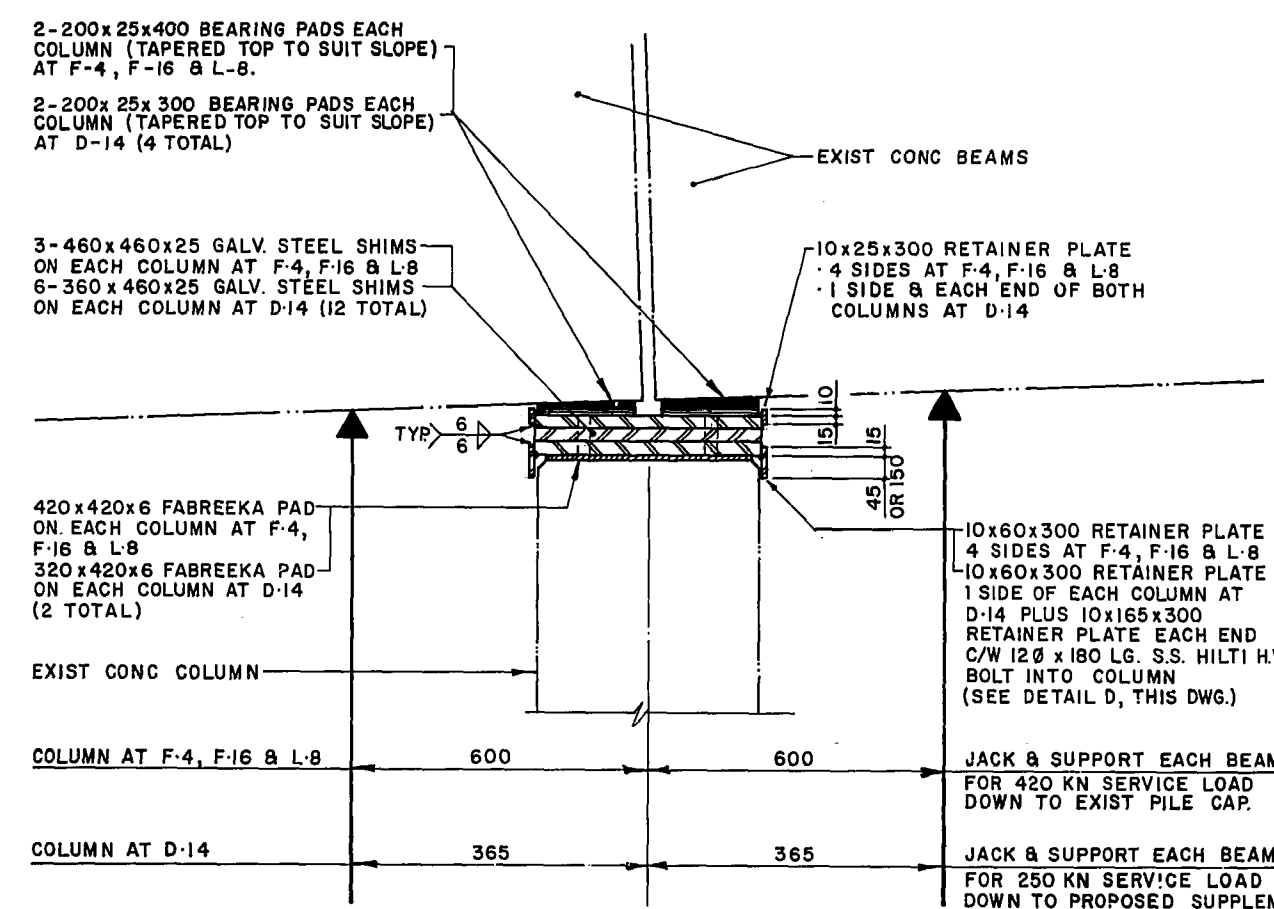


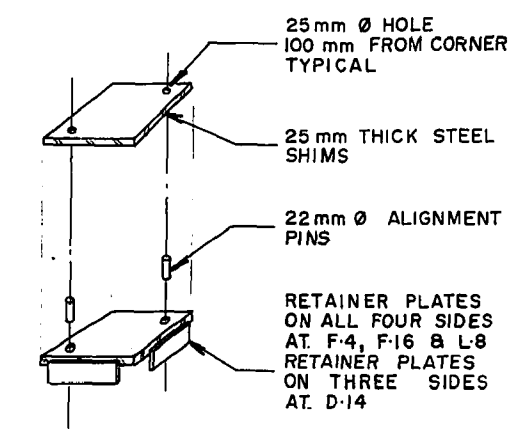
A PLAN
65 SUPPLEMENTARY FOUNDATION
1:20



I SECTION
65 1:20

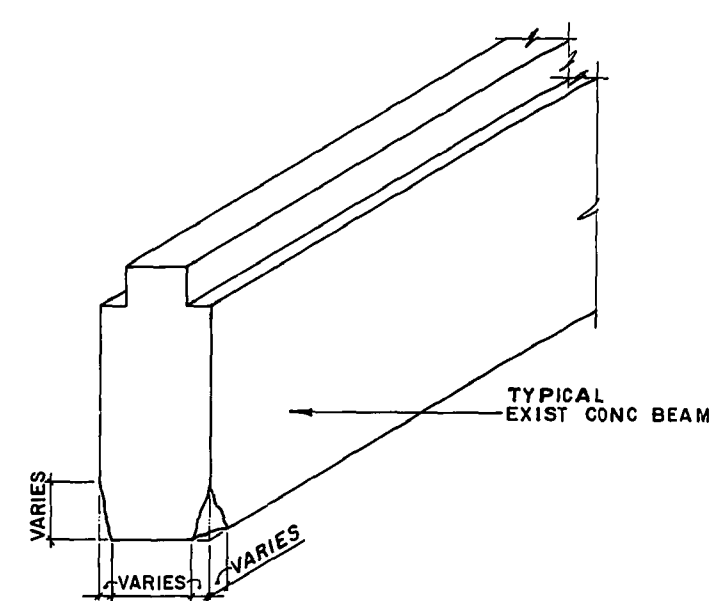


2 SECTION
65 EXISTING COLUMN EXTENSION
1:20



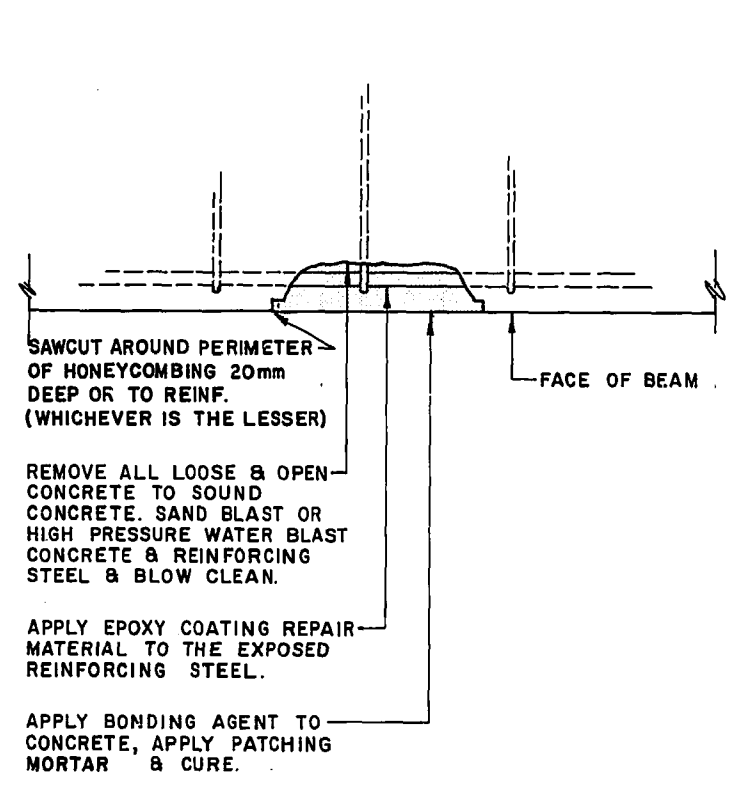
NOTE:
ALL PLATES AND RODS TO BE MILD STEEL.
HOT DIP GALVANIZE ALL MATERIAL AFTER FABRICATION.

SHIM PLATE ALIGNMENT

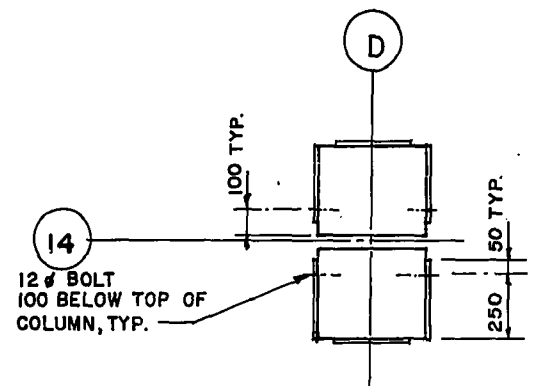


B DETAIL
65 PRECAST ROOF BEAM END CORNER REPAIR

- REPAIR PROCEDURES AT PRECAST ROOF BEAM END CORNERS
- TESTING BY THE CONTRACT ADMINISTRATOR, OR HIS AGENT, TO DETERMINE ANY BEAM END CORNER DELAMINATIONS (ACCESS PROVIDED BY THE CONTRACTOR TO ALL BEAM END CORNERS).
 - CONTRACTOR TO REMOVE ANY BEAM END CORNER DELAMINATIONS FOUND BY THE CONTRACT ADMINISTRATOR.
 - SANDBLASTING OR HIGH PRESSURE WATER BLASTING BY THE CONTRACTOR TO CLEAN CONCRETE AND REMOVE RUST ON EXPOSED REINFORCING STEEL, AND BLOW CLEAN AT ALL NEW AND EXISTING BEAM END CORNER SPALLS OR DELAMINATIONS.
 - APPLY FLEXIBLE WATERPROOFING OVER ALL BEAM END CORNER SPALLS (INCLUDES AREAS WHERE DELAMINATIONS WERE REMOVED).

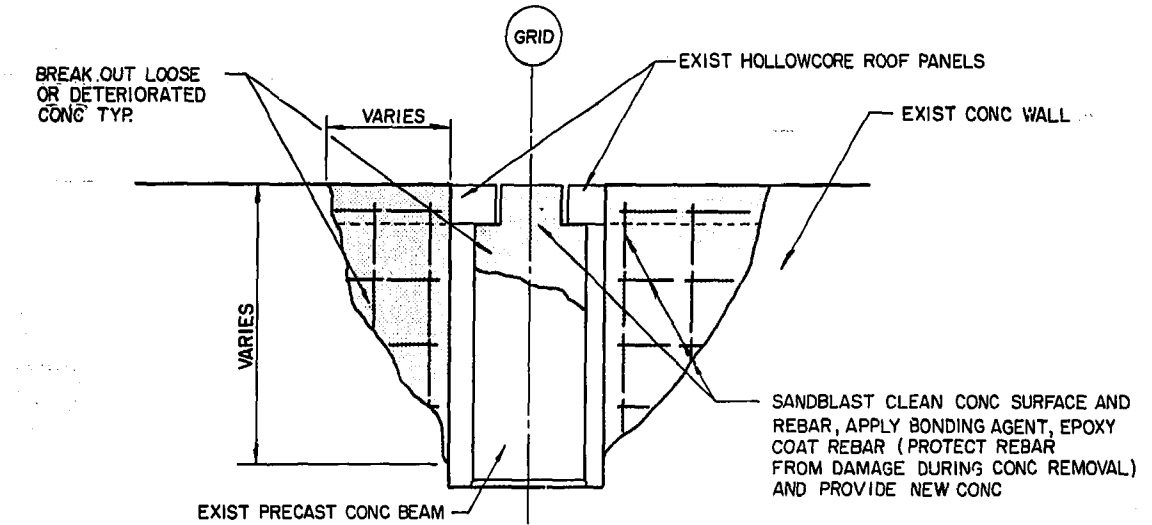


C DETAIL
65 PRECAST ROOF BEAM HONEYCOMB REPAIRS



D DETAIL
65 PLAN OF COLUMNS AT D-14

- JACKING OPERATIONS FOR EXISTING COLUMN EXTENSION
- INSTALL BRACING AND SHORING SYSTEM PRIOR TO ANY JACKING.
 - THE PRECAST ROOF BEAMS SHALL NOT BE JACKED UP MORE THAN REQUIRED. THE MAXIMUM DIMENSION FROM THE TOP OF THE EXISTING COLUMN TO THE UNDERSIDE OF THE JACKED UP PRECAST ROOF BEAMS SHALL NOT BE MORE THAN THE TOTAL THICKNESS OF THE SPECIFIED FABREEKA PAD, STEEL SHIMS, AND BEARING PADS, PLUS 20 mm.
 - ADJUST BRACING AND SHORING SYSTEM DURING JACKING OPERATIONS TO RESTRICT MOVEMENT OF THE PRECAST ROOF BEAMS TO LESS THAN 2 mm IN CASE OF JACKING FAILURE.



TYPICAL BEAM POCKET REPAIR
WALL REPAIR SIMILAR N.T.S.

RECORD DRAWING P.D. No. 91-19

LOCATION APPROVED UNDERGROUND STRUCTURES	B.M. FLEV
SUPV. U/G STRUCTURES COMMITTEE	DATE
NOTE: LOCATION OF UNDERGROUND STRUCTURES AS SHOWN ARE BASED ON THE BEST INFORMATION AVAILABLE BUT NO GUARANTEE IS GIVEN THAT ALL EXISTING UTILITIES ARE SHOWN OR THAT THE GIVEN LOCATIONS ARE EXACT CONFIRMATION OF EXISTENCE AND EXACT LOCATION OF ALL SERVICES MUST BE OBTAINED FROM THE INDIVIDUAL UTILITIES BEFORE PROCEEDING WITH CONSTRUCTION	
NO REVISIONS	DATE BY

DESIGNED BY	S. B. B.	CHECKED BY	[Signature]
DRAWN BY	K. J. L.	APPROVED BY	[Signature]
HOR SCALE NOTED	VERTICAL	RELEASED FOR CONSTRUCTION	[Signature]
DATE	1991-01-31	DATE	1991-02-15

uma UMA Engineering Ltd.
1479 Buffalo Place, Winnipeg, Manitoba, Canada R3T 1L7

ENGINEER'S SEAL
PROVINCE OF MANITOBA
BISWANGER
REGISTERED PROFESSIONAL ENGINEER

THE CITY OF WINNIPEG
WORKS AND OPERATIONS DIVISION
WATERWORKS, WASTE & DISPOSAL DIVISION

WILKES RESERVOIR
PHASE II CONSTRUCTION
STRUCTURAL WORKS

MISCELLANEOUS REPAIR DETAILS

CITY DRAWING NUMBER
SHEET 5 OF 5
WIL-65

CONSULTANT DRAWING NO.
4113 0265 259 02

File # RE 10319