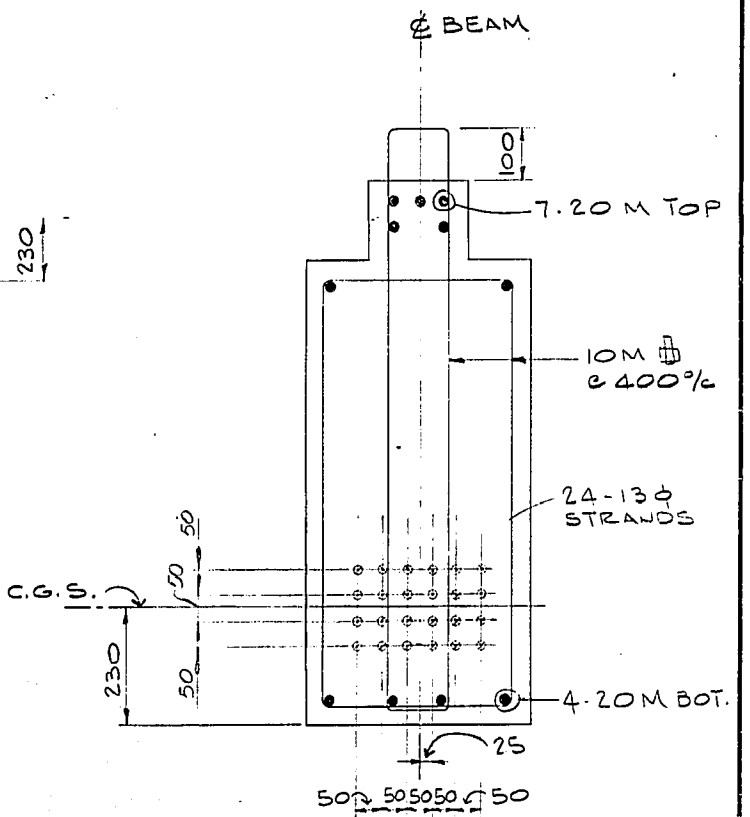
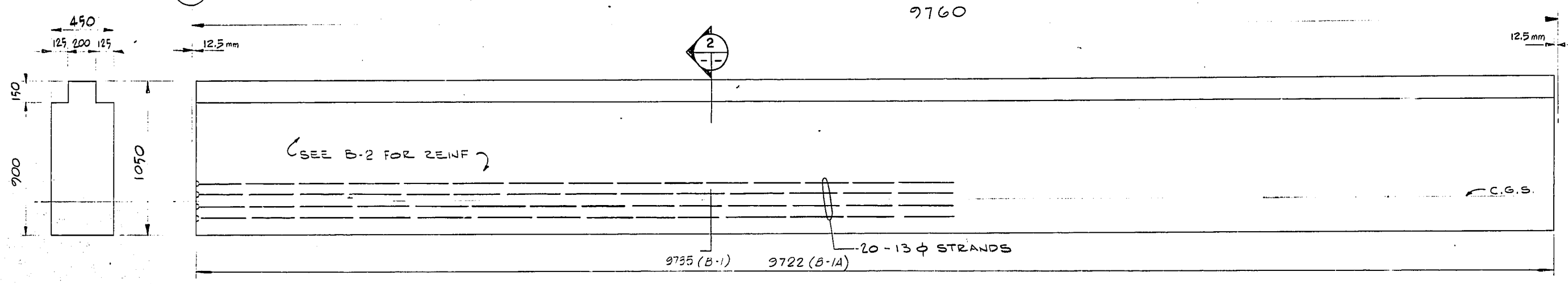


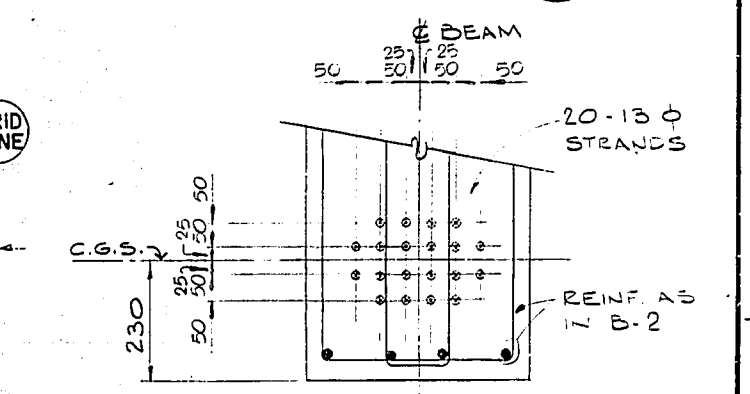
10980
SYMMETRICAL ABOUT
10955 (B-2) 10942 (B-2A)
PRECAST PRESTRESSED CONCRETE BEAM MK. B-2 (B-2A SIMILAR)
1:20



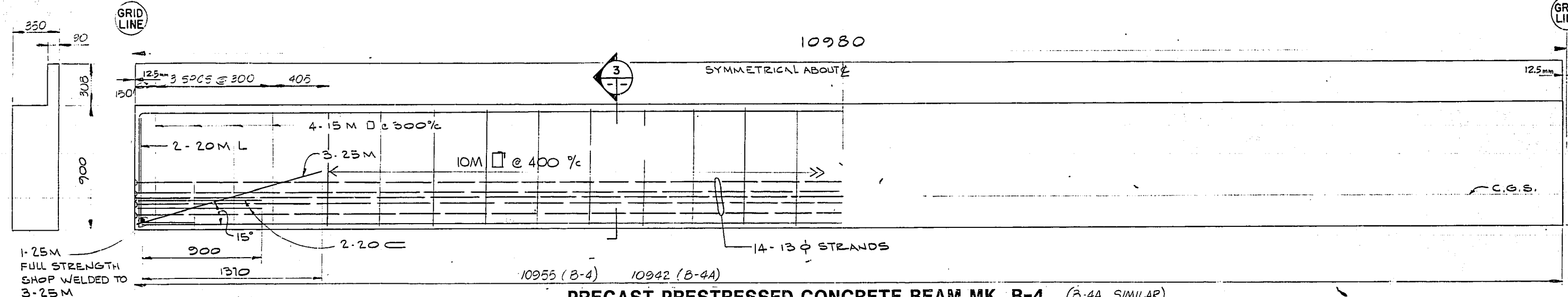
SECTION 1
1:10



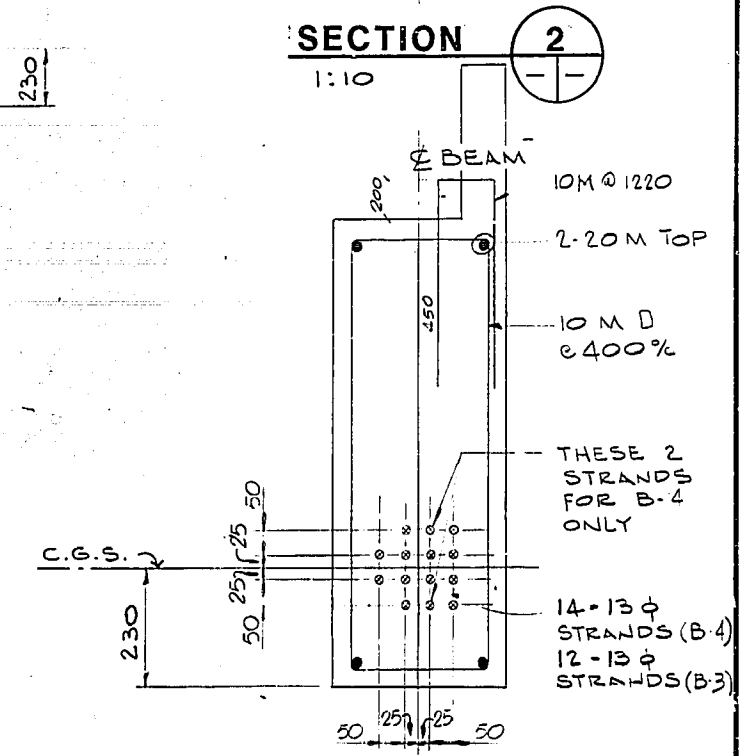
9760
PRECAST PRESTRESSED CONCRETE BEAM MK. B-1 (B-1A SIMILAR)
1:20



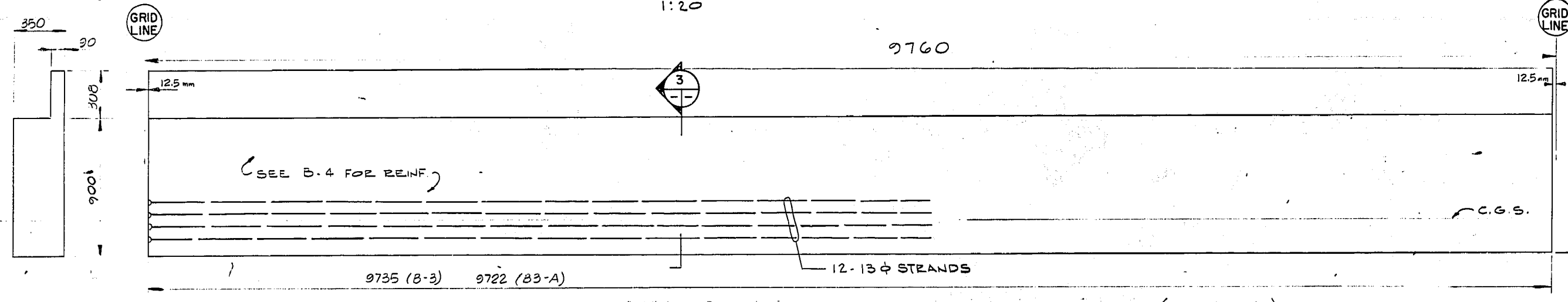
SECTION 2
1:10



10980
SYMMETRICAL ABOUT
10955 (B-4) 10942 (B-4A)
PRECAST PRESTRESSED CONCRETE BEAM MK. B-4 (B-4A SIMILAR)
1:20



SECTION 3
1:10



9760
PRECAST PRESTRESSED CONCRETE BEAM MK. B-3 (B-3A SIMILAR)
1:20

NOTES :

- CONCRETE AND STRANDS FOR THE ABOVE PRECAST BEAMS HAS A MINIMUM STRENGTH AS FOLLOWS:
- CONCRETE:
- COMPRESSIVE STRENGTH AT 28 DAYS 35 MPa
 - COMPRESSIVE STRENGTH AT TRANSFER 25 MPa
- STRANDS:
- SIZE - SEVEN (7) WIRE STRAND - 13 φ
 - ULTIMATE STRENGTH 1860 MPa
 - INITIAL PRESTRESS FORCE 129 KN
 - PRESTRESS FORCE AT TRANSFER 116 KN
 - PRESTRESS FORCE AFTER LOSSES 102 KN
- REINFORCING STEEL:
- STIRRUPS - GRADE 300 DEFORMED BARS
 - OTHERS - GRADE 400 DEFORMED BARS

METRIC NOTES
WHOLE NUMBERS IND. MILLIMETRES
DECIMALIZED EXPRESSIONS IND. METRES

RECORD DRAWING

Underwood McLellan Ltd. Consulting Engineers and Planners		THE CITY OF WINNIPEG WORKS & OPERATIONS DEPARTMENT		WILKES AVENUE RESERVOIR RECONSTRUCTION PRECAST BEAM DETAILS	
DESIGNED BY: H.T.H.	DRAWN BY: B.H.P.	DATE: MARCH 20, 1980		RELEASED FOR CONSTRUCTION:	DATE: 10/03/80
CHECKED BY:	DATE:	DATE: 20/3/80		SCALE: AS NOTED	DRAWING NO: WIL-31
NO.	REVISIONS	DATE	APP.	ENGINEER'S SEAL	