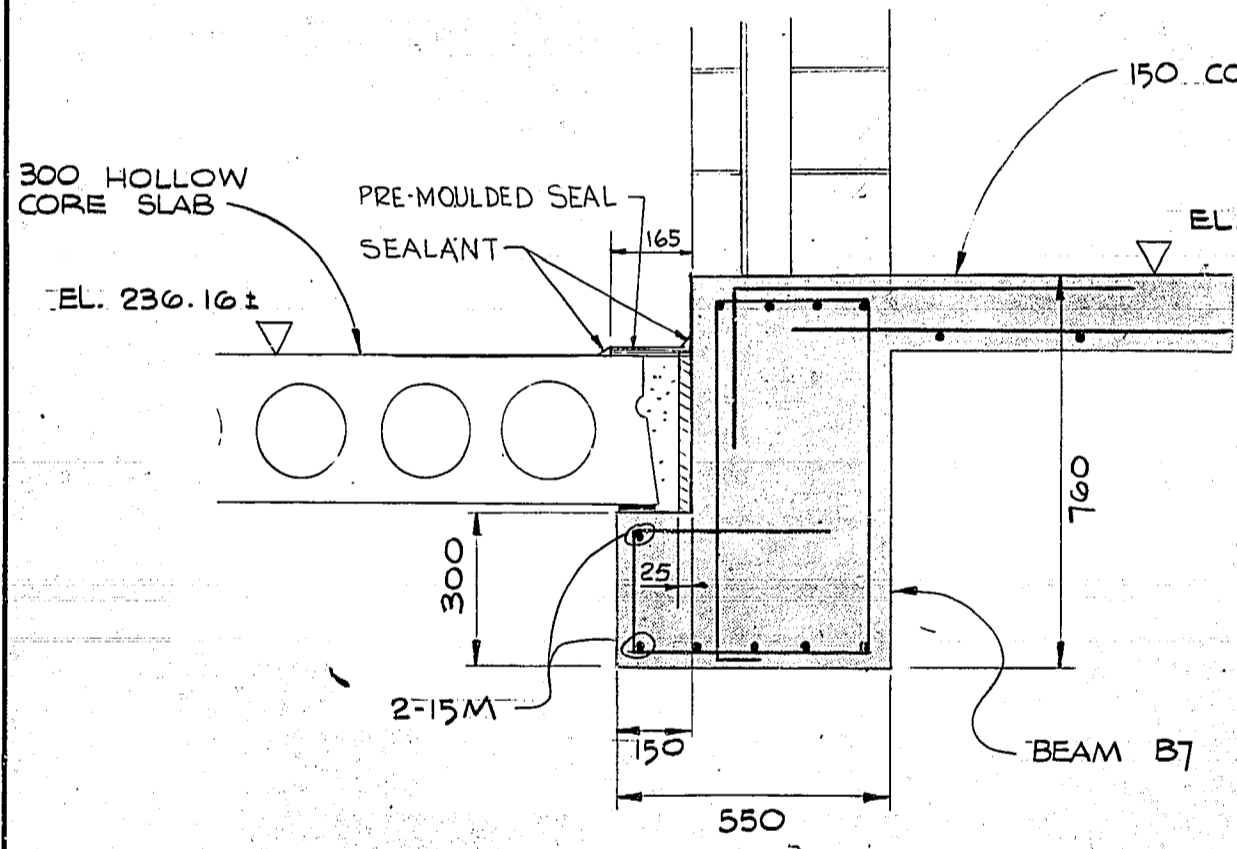
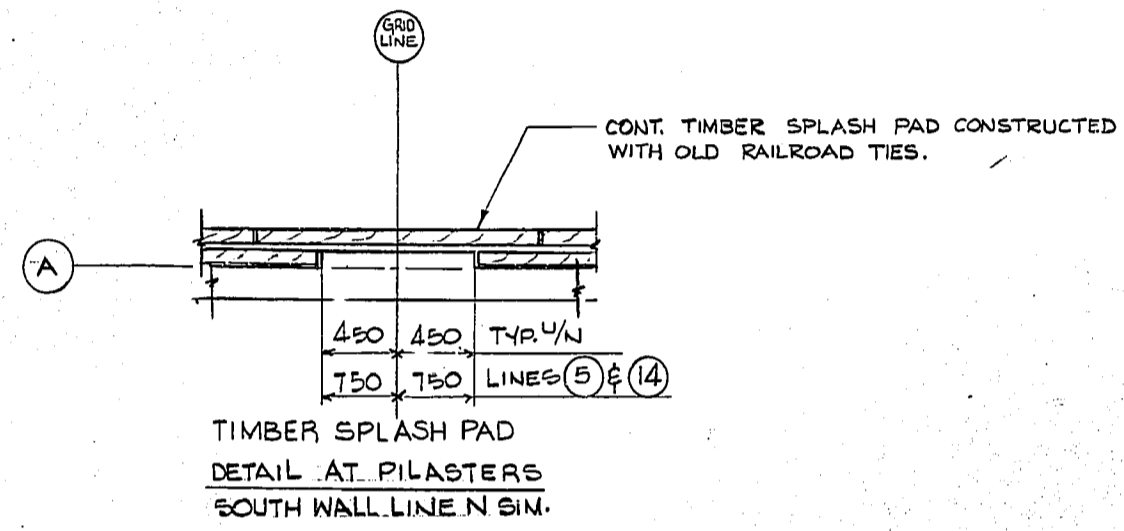
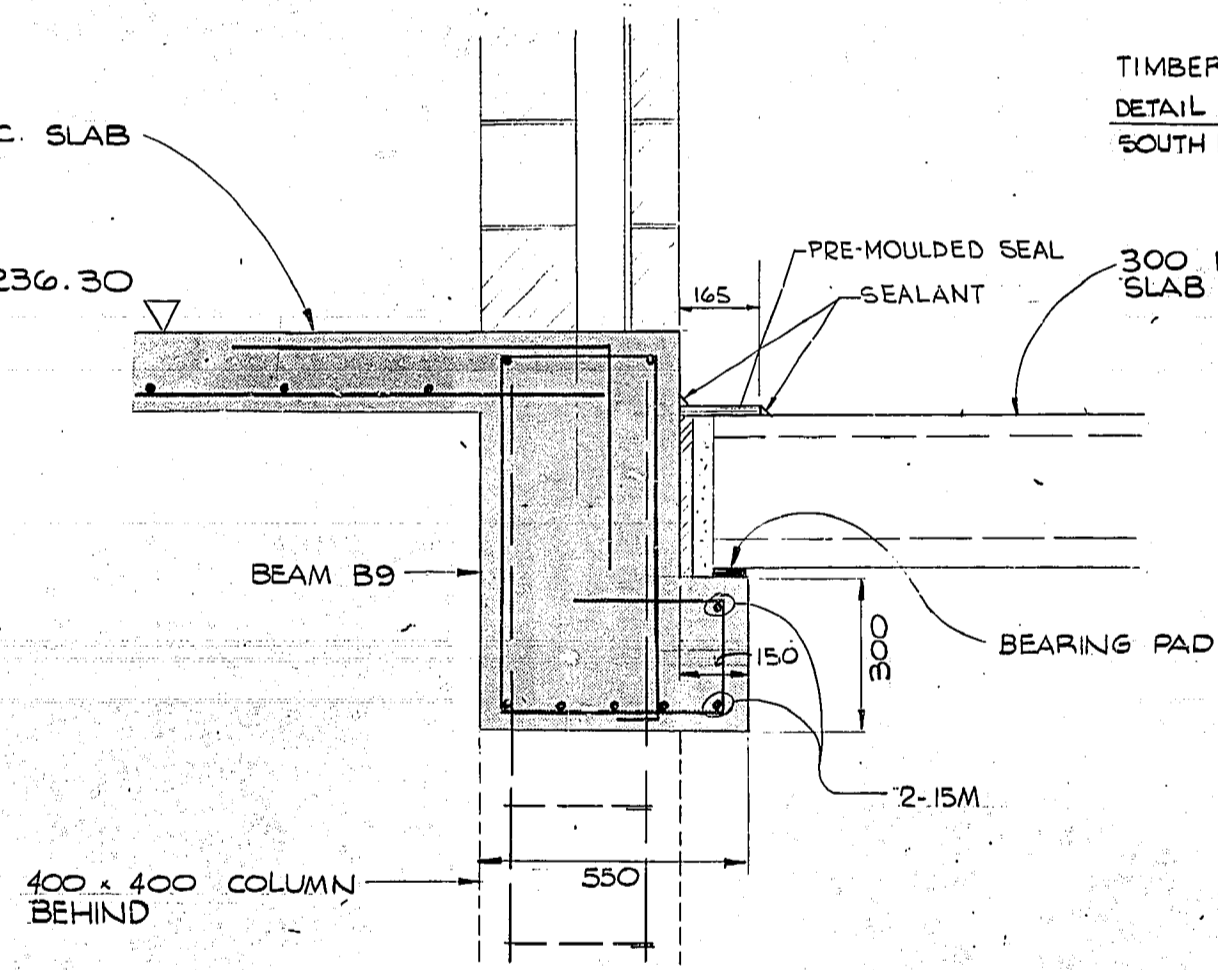


SECTION 1
29 27

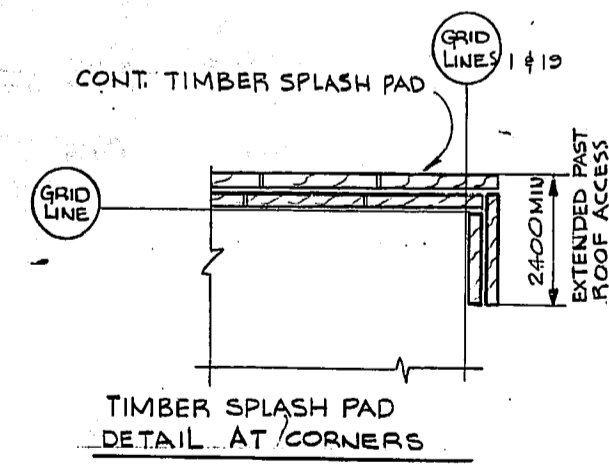
SECTION 2
29 27



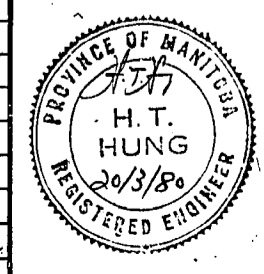
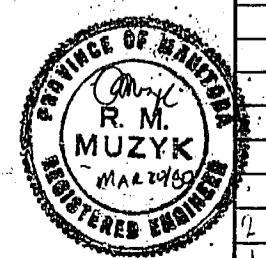
SECTION 3
29 27



SECTION 4
29 27



METRIC NOTES
WHOLE NUMBERS IND. MILLIMETRES
DECIMALIZED EXPRESSIONS IND. METRES



NO.	REVISIONS	DATE	APP.
1	RECORD DRAWING	DEC 10 1980	EEL
1	CONST. RECORD CHANGES	AUG 10 1980	EEL

Underwood McLellan Ltd. Consulting Engineers and Planners	
DESIGNED BY: H.T.H.	DRAWN BY: E.A.P.
CHECKED BY: <i>[Signature]</i>	DATE: MARCH 20, 1980
APPROVED BY: <i>[Signature]</i>	DATE: 20/3/80

THE CITY OF WINNIPEG
WORKS & OPERATIONS DEPARTMENT
WATERWORKS, WASTE & DISPOSAL DIVISION

WILKES AVENUE RESERVOIR RECONSTRUCTION
ROOF SECTIONS AND DETAILS

RELEASED FOR CONSTRUCTION: *[Signature]* DATE: 20/03/80

SCALE: 1:10 DRAWING NO: **WIL-29**