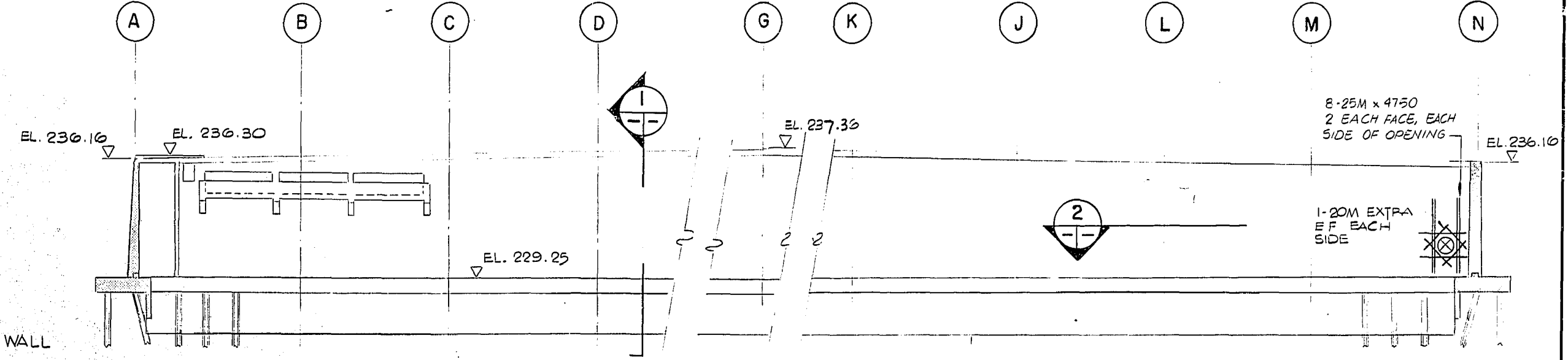
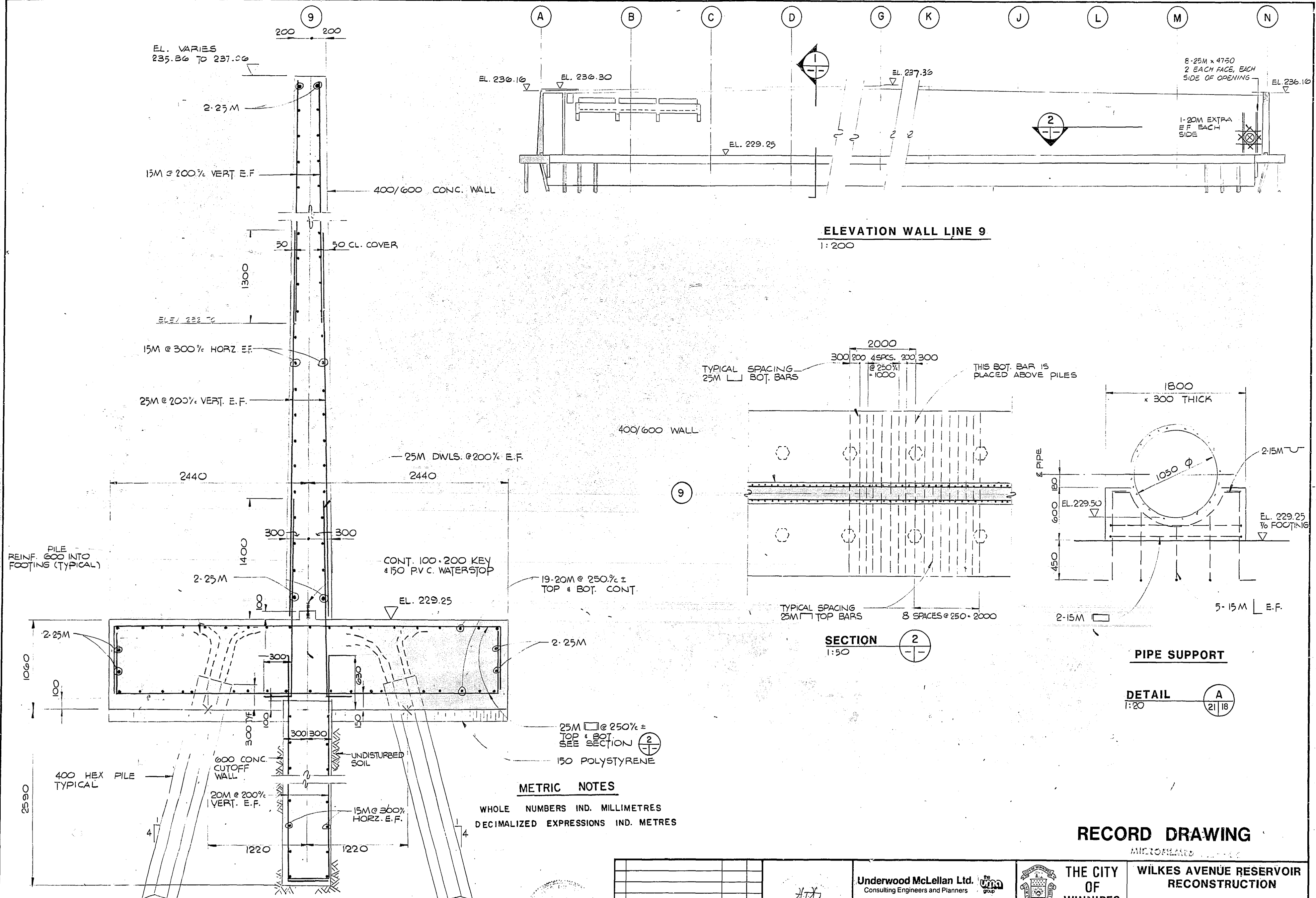
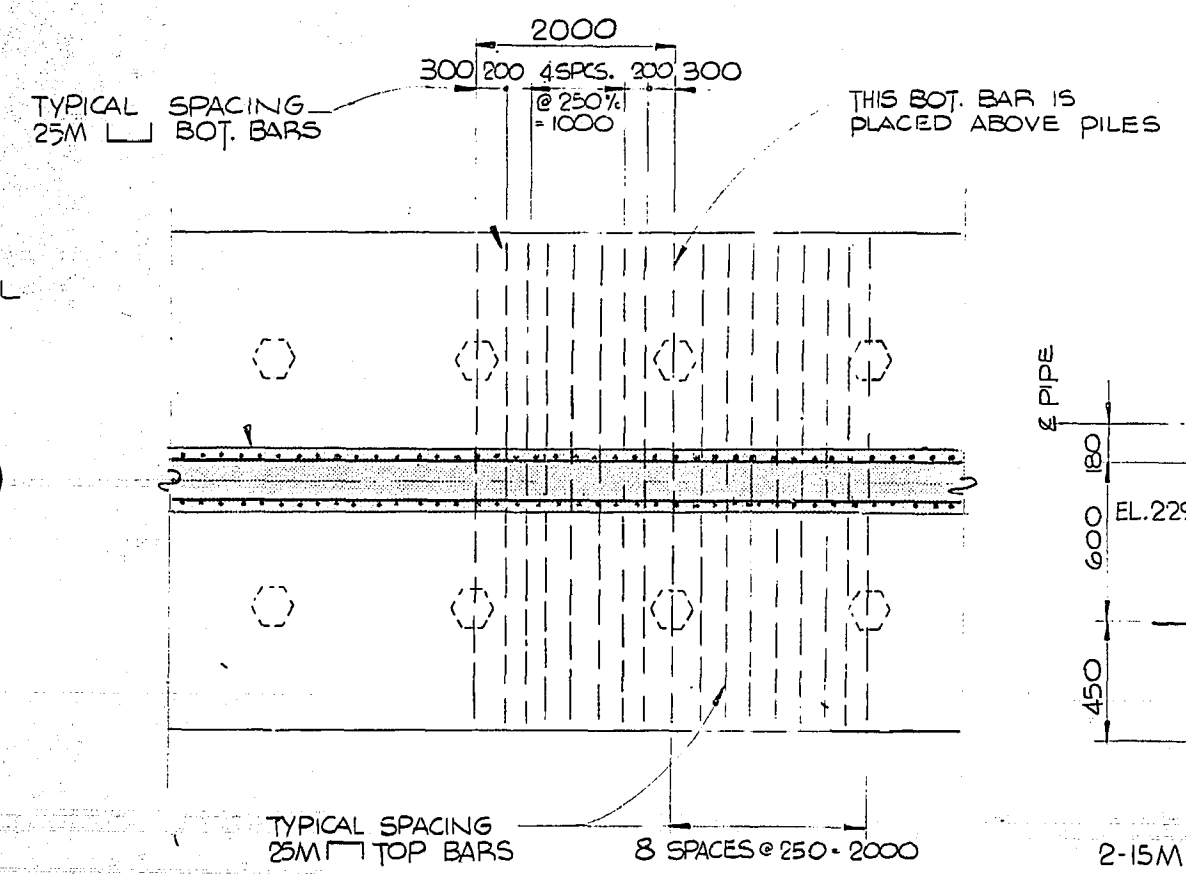


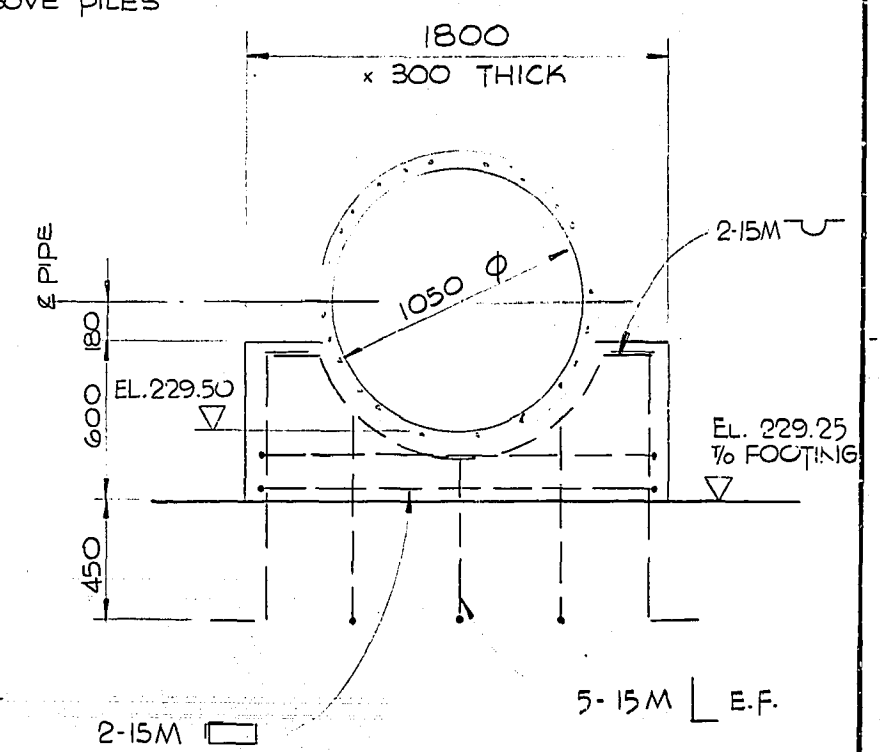
EL. VARIES  
235.26 TO 237.06



**ELEVATION WALL LINE 9**  
1:200



**SECTION 2**  
1:50



**PIPE SUPPORT**

**DETAIL A**  
1:20

**METRIC NOTES**  
WHOLE NUMBERS IND. MILLIMETRES  
DECIMALIZED EXPRESSIONS IND. METRES

**SECTION 1**  
1:20

NO.	REVISIONS	DATE	APP.
2	RECORD DRAWING	NOV 14/81	EEL
1	GENERAL REVISION	APR 3/80	[Signature]

**Underwood McLellan Ltd.**  
Consulting Engineers and Planners

DESIGNED BY: H.T.H.      DRAWN BY: T.H.  
 CHECKED BY: [Signature]      DATE: MARCH 20, 1980  
 APPROVED BY: [Signature]      DATE: 2/13/80

ENGINEER'S SEAL

**THE CITY OF WINNIPEG**  
WORKS & OPERATIONS DEPARTMENT  
WATERWORKS, WASTE & DISPOSAL DIVISION

**WILKES AVENUE RESERVOIR RECONSTRUCTION**  
DIVIDER WALL - LINE 9

RELEASED FOR CONSTRUCTION DATE: 2/20/80  
 SCALE: AS NOTED      DRAWING NO: WIL-21