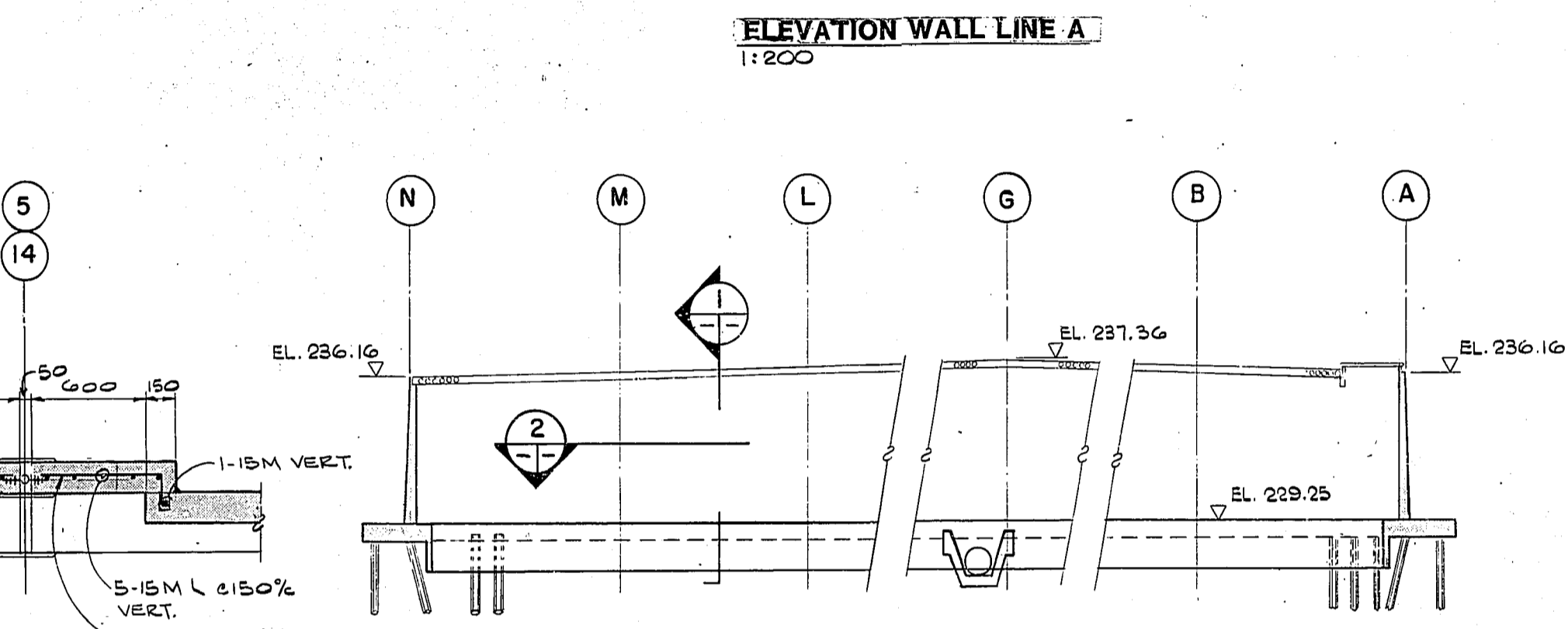
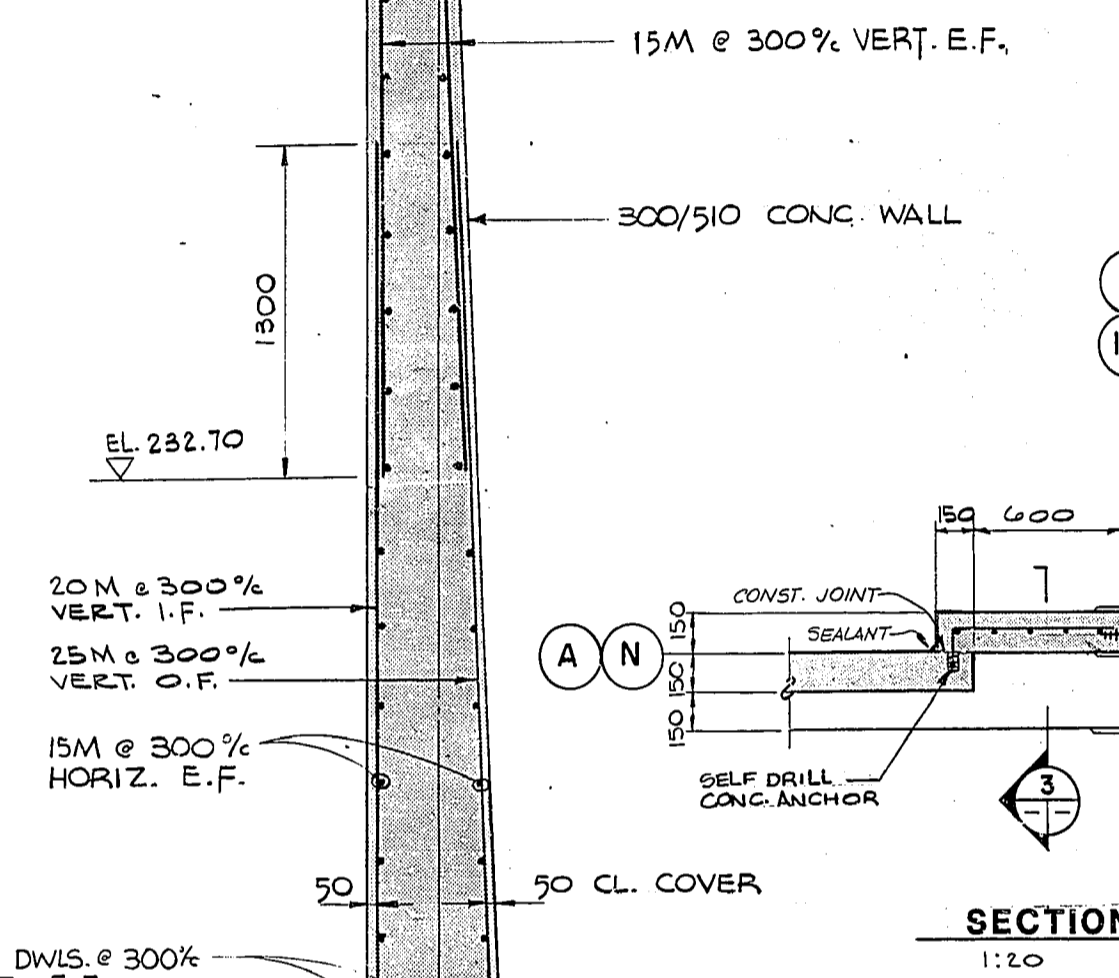
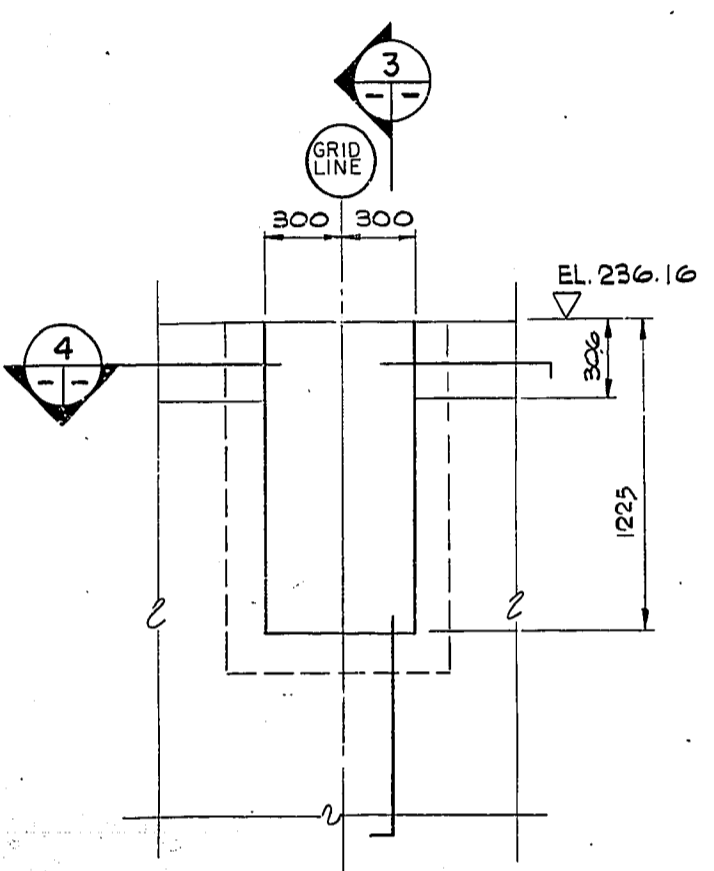


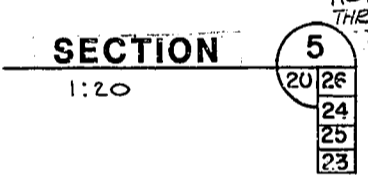
ELEVATION WALL LINE A
1:200



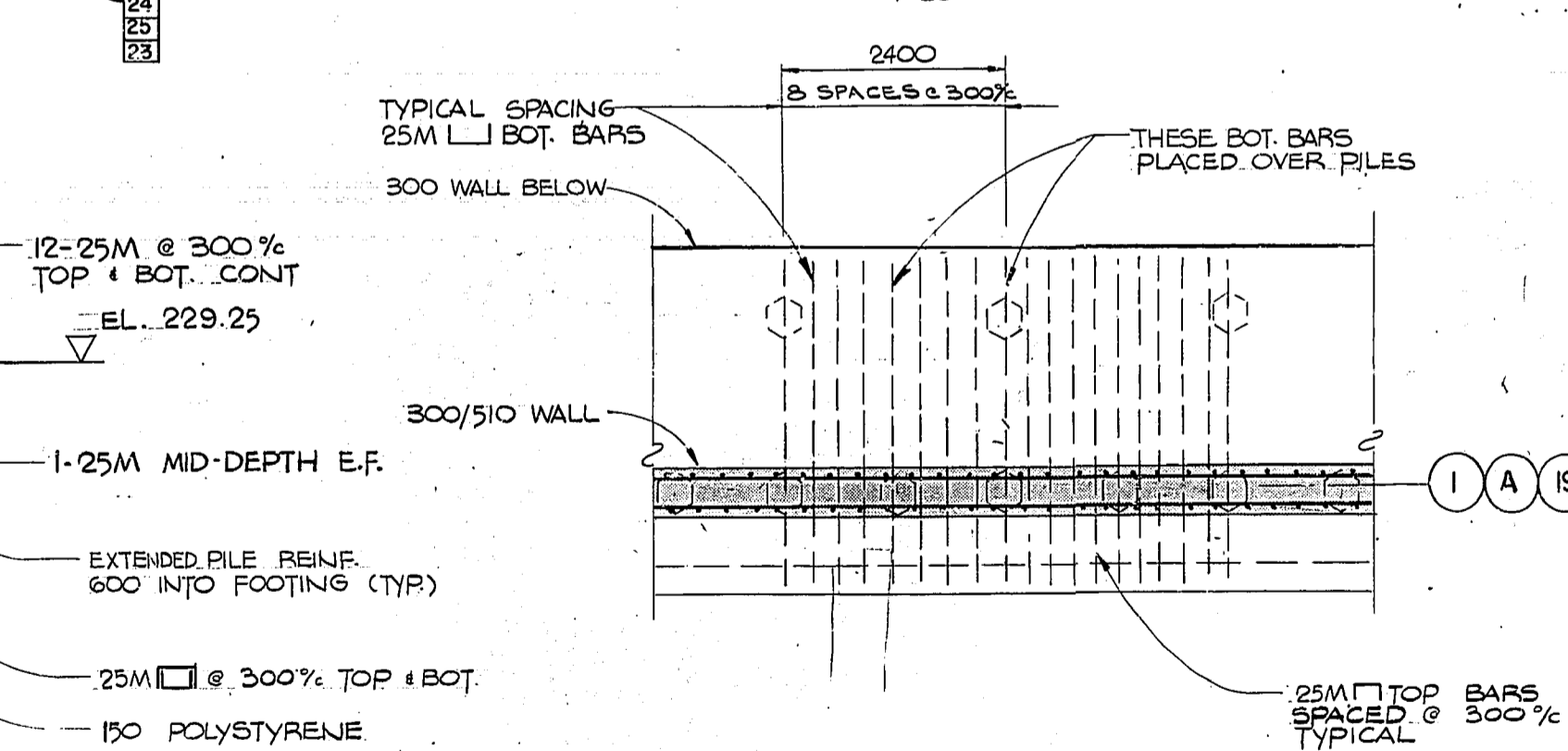
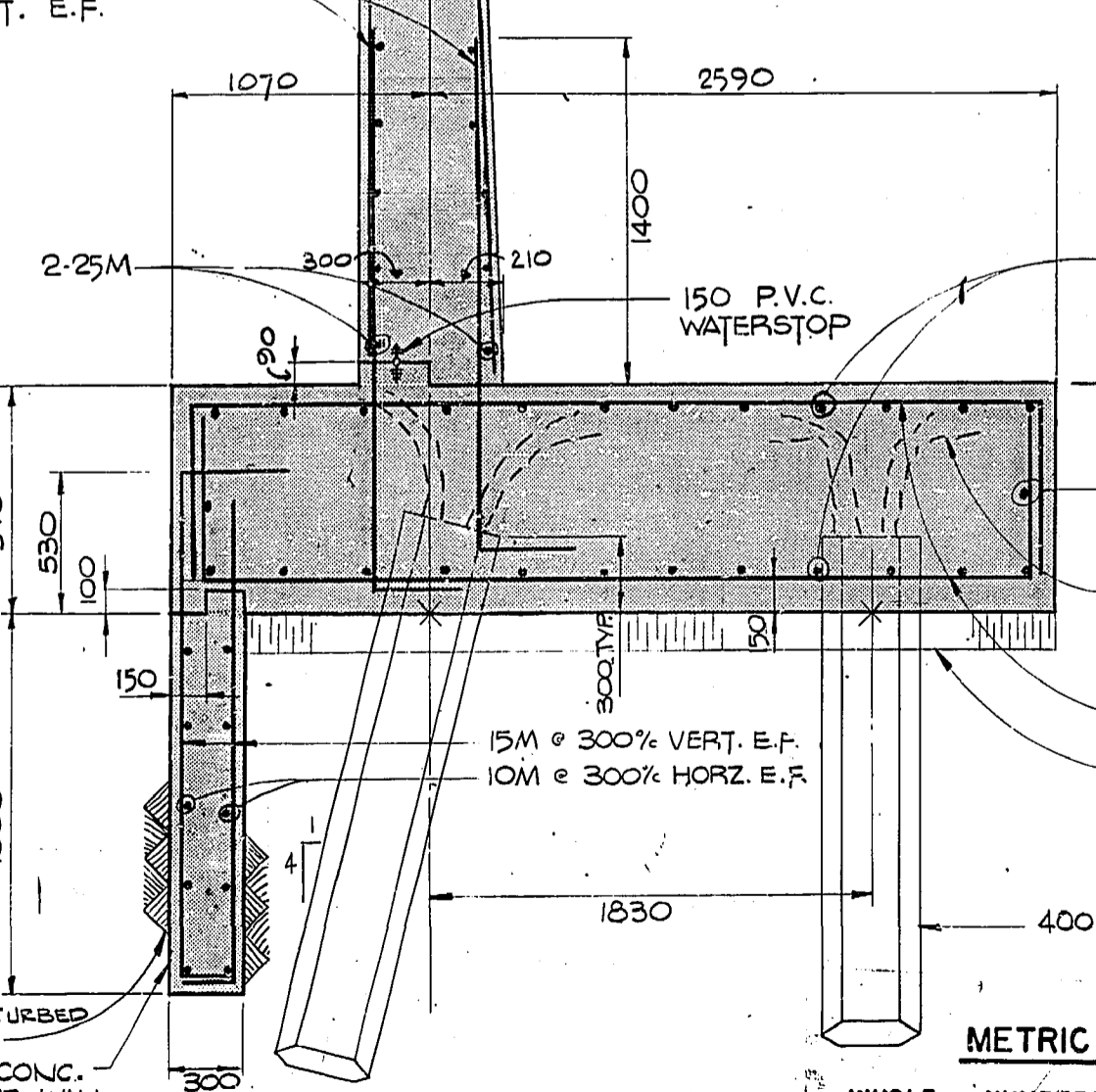
ELEVATION WALL LINE 19 SIMILAR (OPP. HAND)
1:200



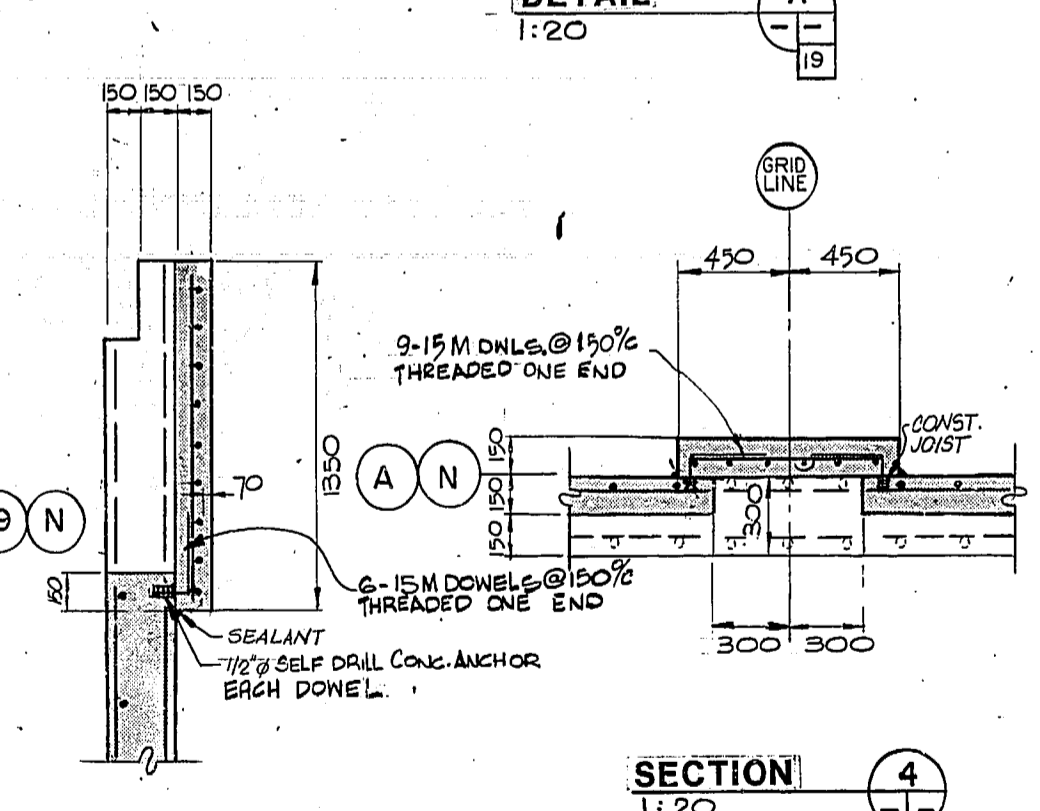
TYPICAL AT EACH BEAM SUPPORT
DETAIL A
1:20



SECTION 5
1:20



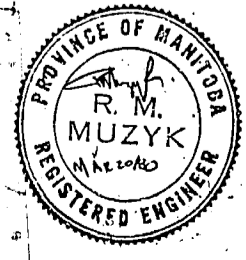
SECTION 2
1:50



SECTION 3
1:20

RECORD DRAWING
MICROFILMED

METRIC NOTES
WHOLE NUMBERS IND. MILLIMETRES
DECIMALIZED EXPRESSIONS IND. METRES



NO.	REVISIONS	DATE	APP.
4	RECORD DRAWING	NOV 14/80	EEL
3	CONST. RECORD CHANGES	AUG 18/81	EEL
2	APPENDIXUM 2	APR 22/80	on
1	WALL LINE 'N' REVISED	APR 2/80	on



Underwood McLellan Ltd.
Consulting Engineers and Planners

DESIGNED BY: H.T.H. DRAWN BY: T.H.
CHECKED BY: DATE: MARCH 20, 1980
APPROVED BY: DATE: 2/23/80

THE CITY OF WINNIPEG
WORKS & OPERATIONS
DEPARTMENT
WATERWORKS, WASTE & DISPOSAL DIVISION

WILKES AVENUE RESERVOIR RECONSTRUCTION
WALL - LINES 1, 19, AND A

RELEASED FOR CONSTRUCTION: DATE: 2/16/89
SCALE: AS NOTED DRAWING NO: **WIL-20**