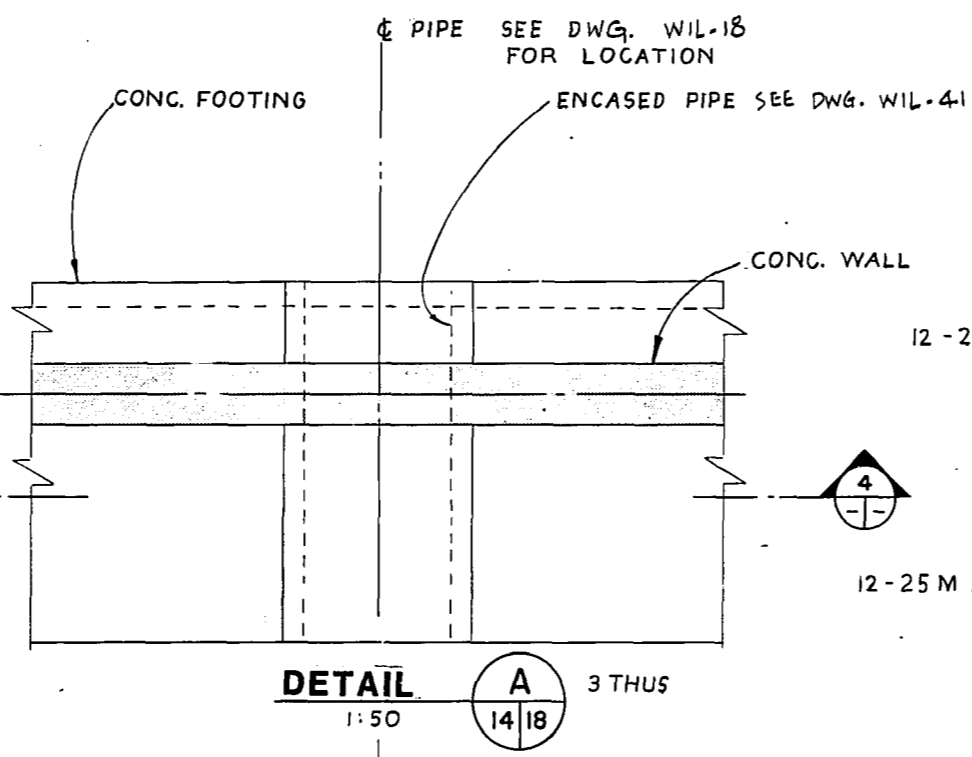
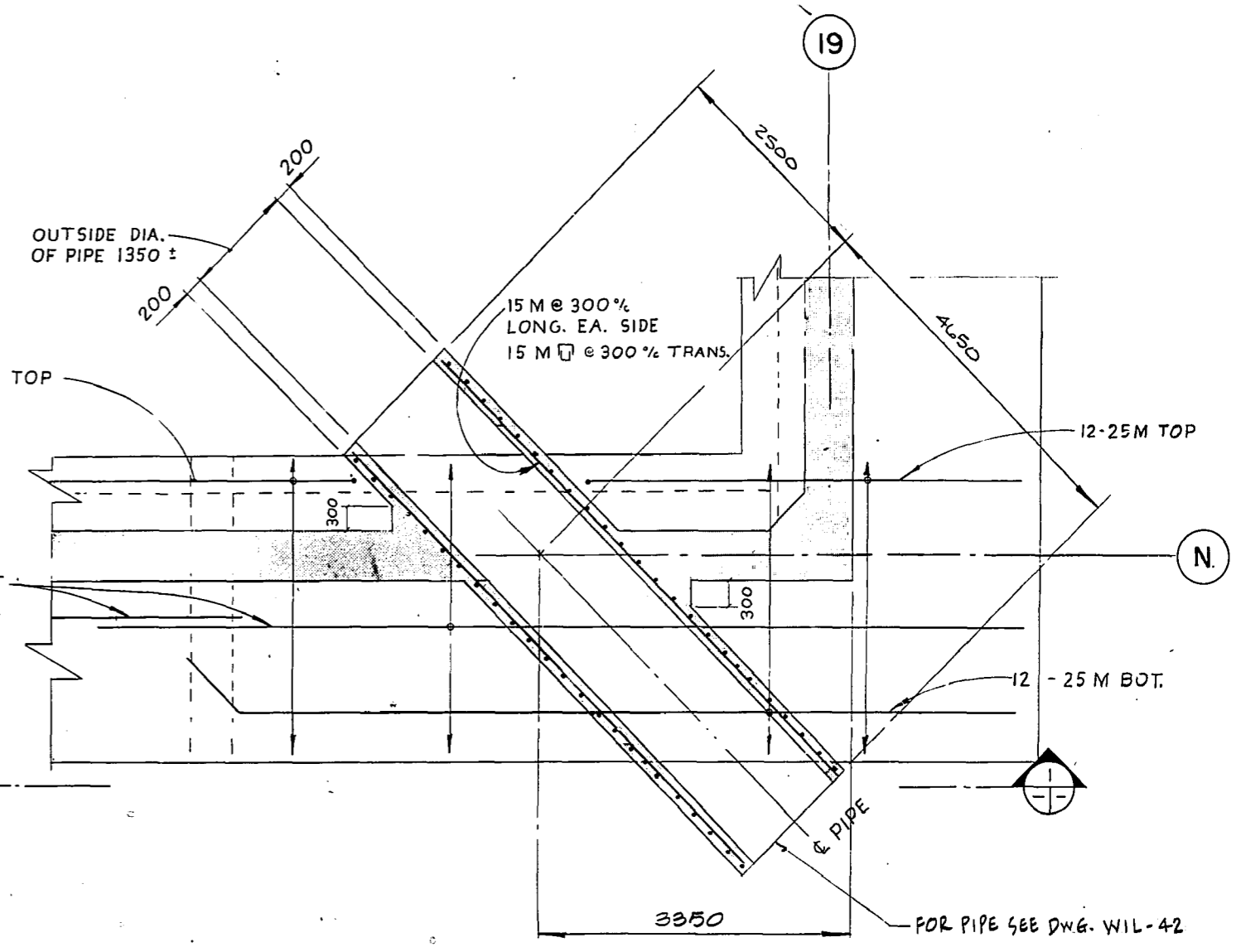


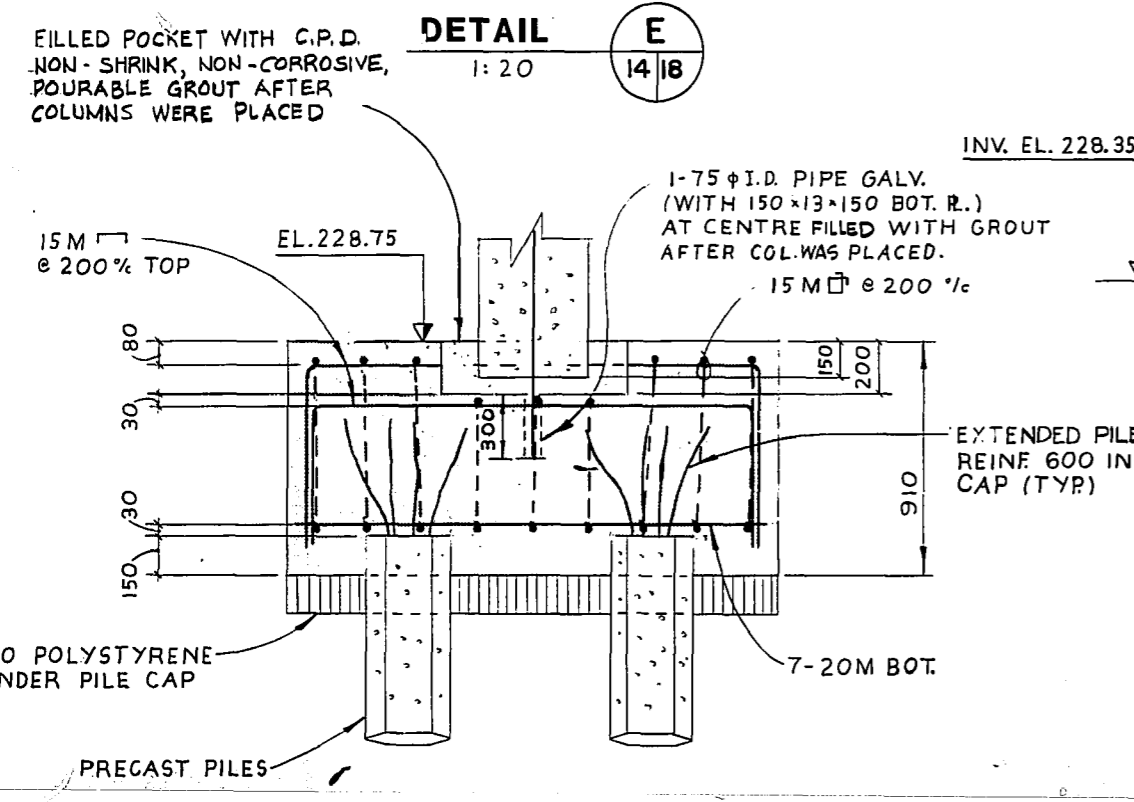
**DOUBLE PILE CAP PLAN**



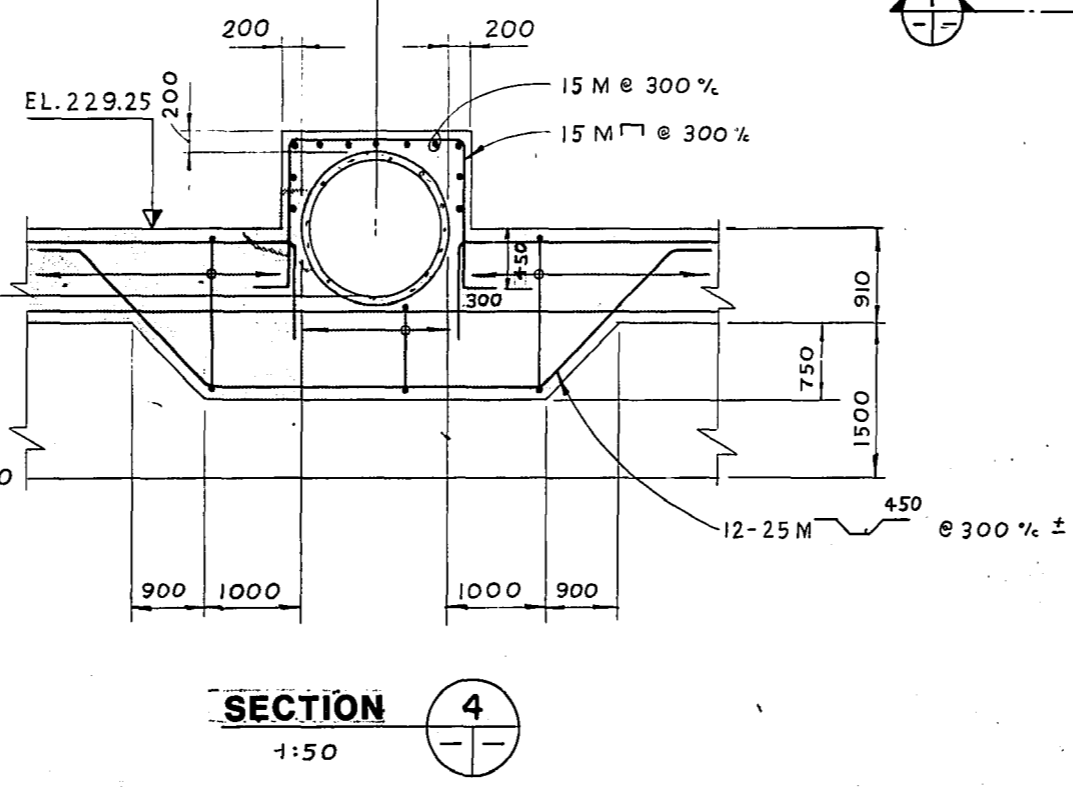
**DETAIL A**  
1:50



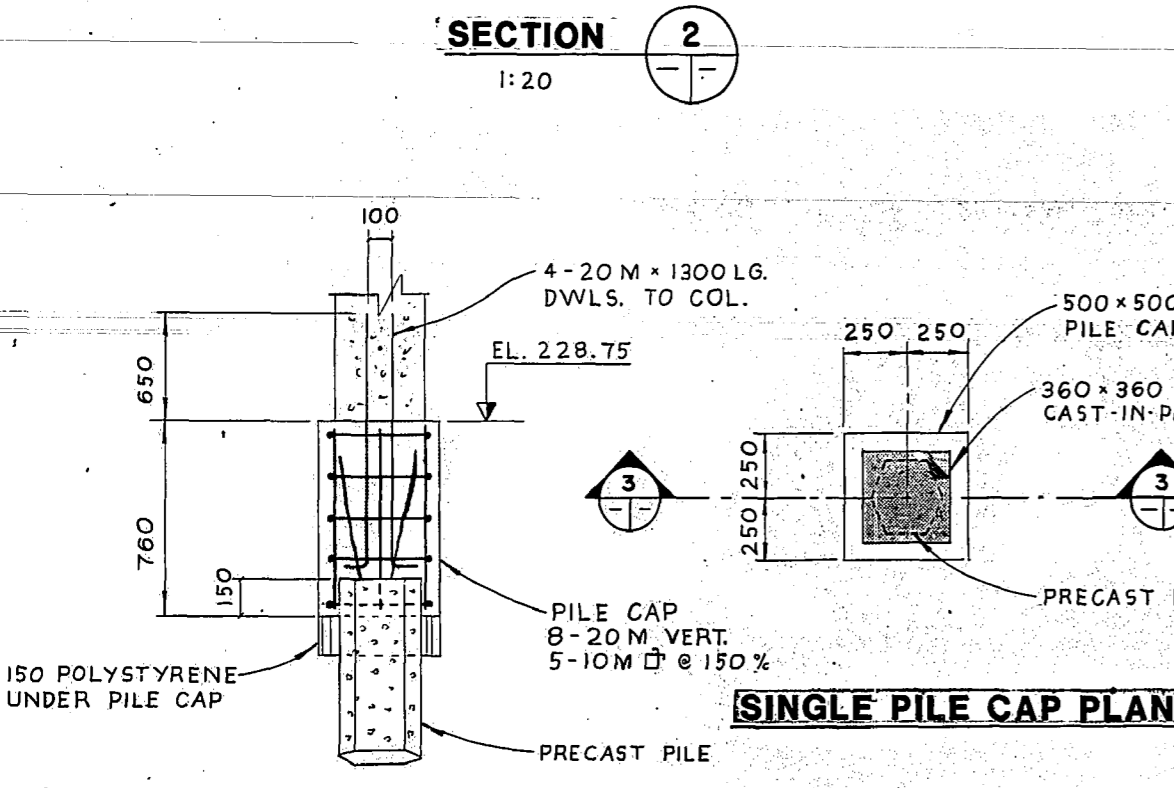
**DETAIL B**  
1:50



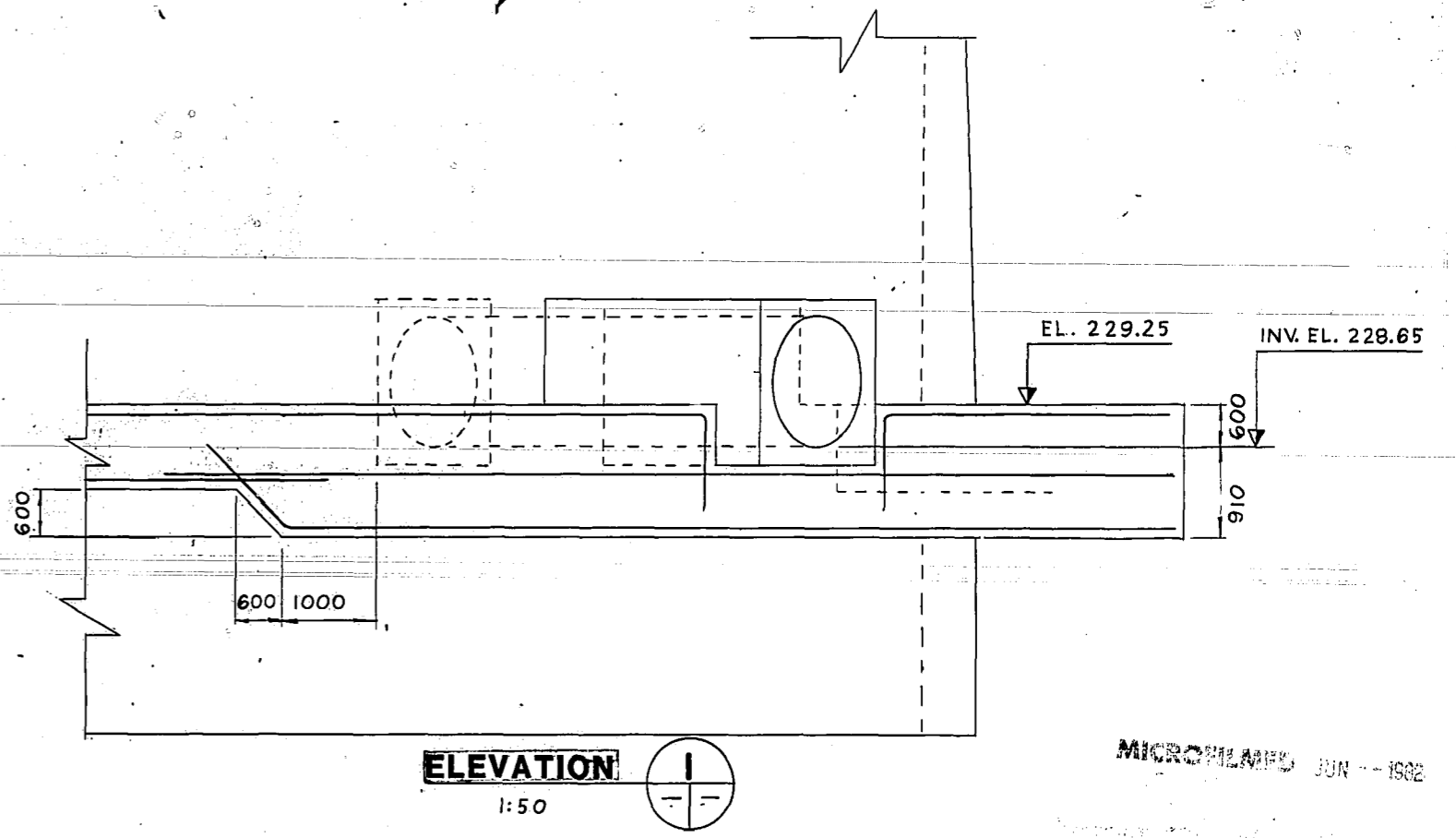
**DETAIL E**  
1:20



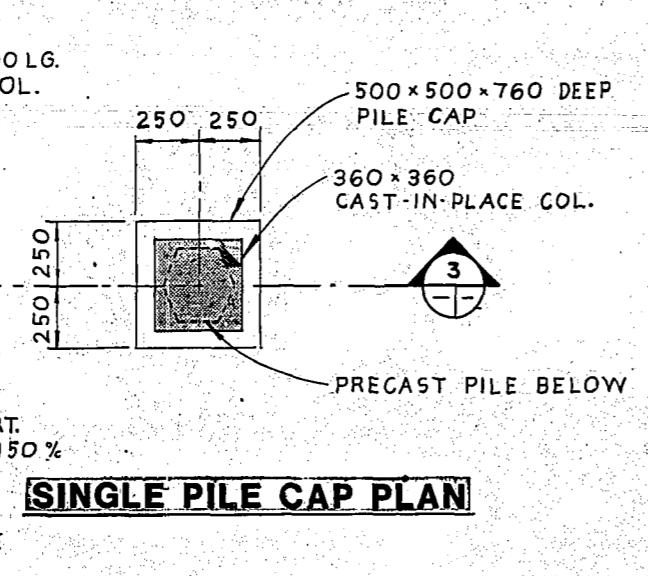
**SECTION 4**  
1:50



**SECTION 2**  
1:20



**ELEVATION 1**  
1:50



**SINGLE PILE CAP PLAN**

**SECTION 3**  
1:20

**DETAIL F**  
1:20

**METRIC NOTES**  
WHOLE NUMBERS IND. MILLIMETRES  
DECIMALIZED EXPRESSIONS IND. METRES



NO.	REVISIONS	DATE	APP.
2	RECORD DRAWING	NOV 26 1980	ECU
1	ADDENDUM NO. 1	22 APR 1980	



<b>Underwood McLellan Ltd.</b> Consulting Engineers and Planners	
DESIGNED BY: H.T.H.	DRAWN BY: G.S.H.
CHECKED BY:	DATE: MARCH 20, 1980
APPROVED BY:	DATE: 20/3/80

**THE CITY OF WINNIPEG**  
WORKS & OPERATIONS DEPARTMENT  
WATERWORKS WASTE DISPOSAL DIVISION

<b>WILKES AVENUE RESERVOIR RECONSTRUCTION</b>	
PILE CAP DETAILS	
RELEASED FOR CONSTRUCTION: [Signature]	DATE: 20/03/80
SCALE: AS NOTED	DRAWING NO: WIL-14

MICROFILMS JUN - 1982

**RECORD DRAWING**