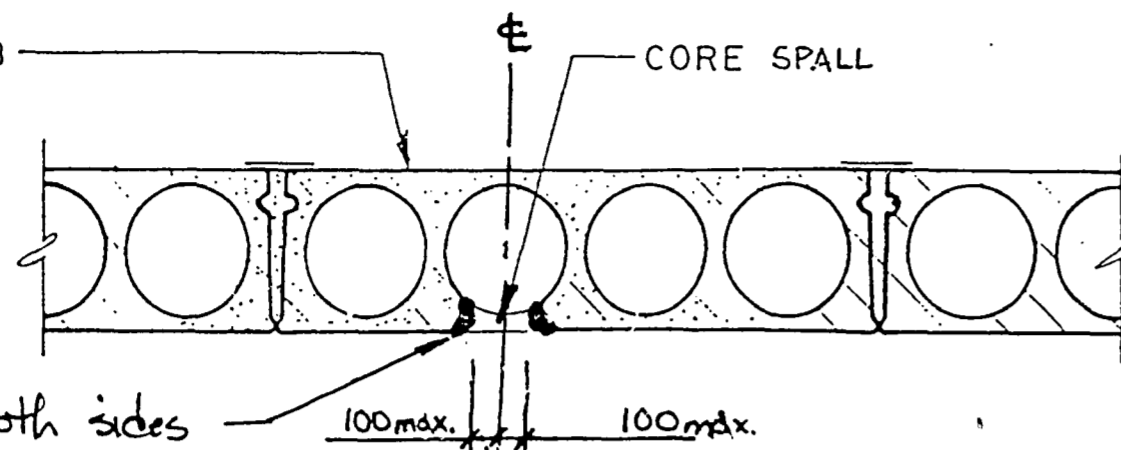


EXIST HOLLOW CORE SLAB

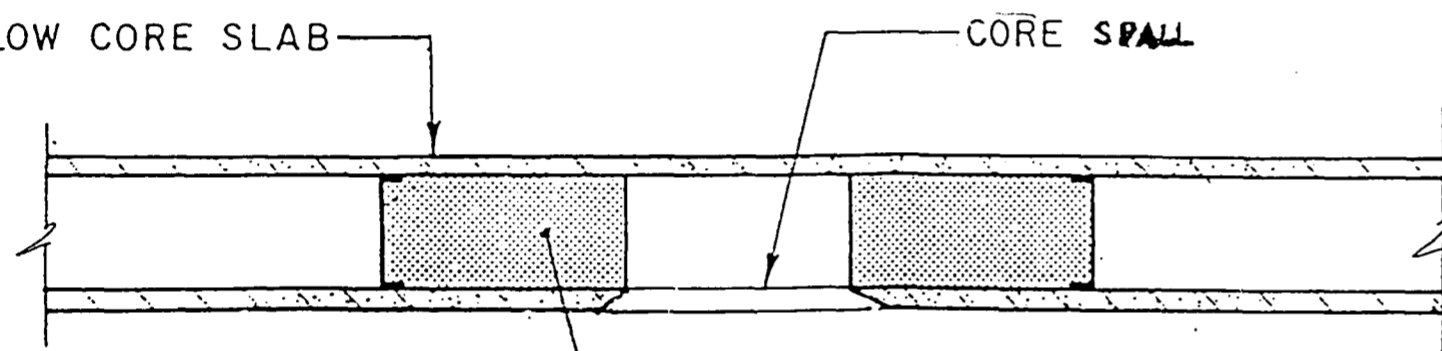


CORE SPALL

Build up web both sides
of spalled core as shown to
provide protection for strands.
Use CPD Fastcrete.

TRANSVERSE SECTION

EXIST HOLLOW CORE SLAB



CORE SPALL

GROUT CORE SOLID FOR A DISTANCE
OF 500mm EACH SIDE OF CORE SPALL

LONGITUDINAL SECTION

RECORD DRAWING

PD91-249
TO RECORD DRAWING 11/92



UMA Engineering Ltd.
Engineers & Planners

1479 Buffalo Place, Winnipeg, Manitoba, Canada R3T 1L7

WILKES RESERVOIR	
PHASE II CONSTRUCTION, BLDG ENVELOPE	
TITLE: HOLLOWCORE SPALL REPAIR	
JOB No. 0265.259.02.04	DATE: SEPT 30.92
DRAWN:	DWG. No. SD-18
CHECKED:	

RECORD DRAWING

PD91-249
TO RECORD DRAWING 11/92



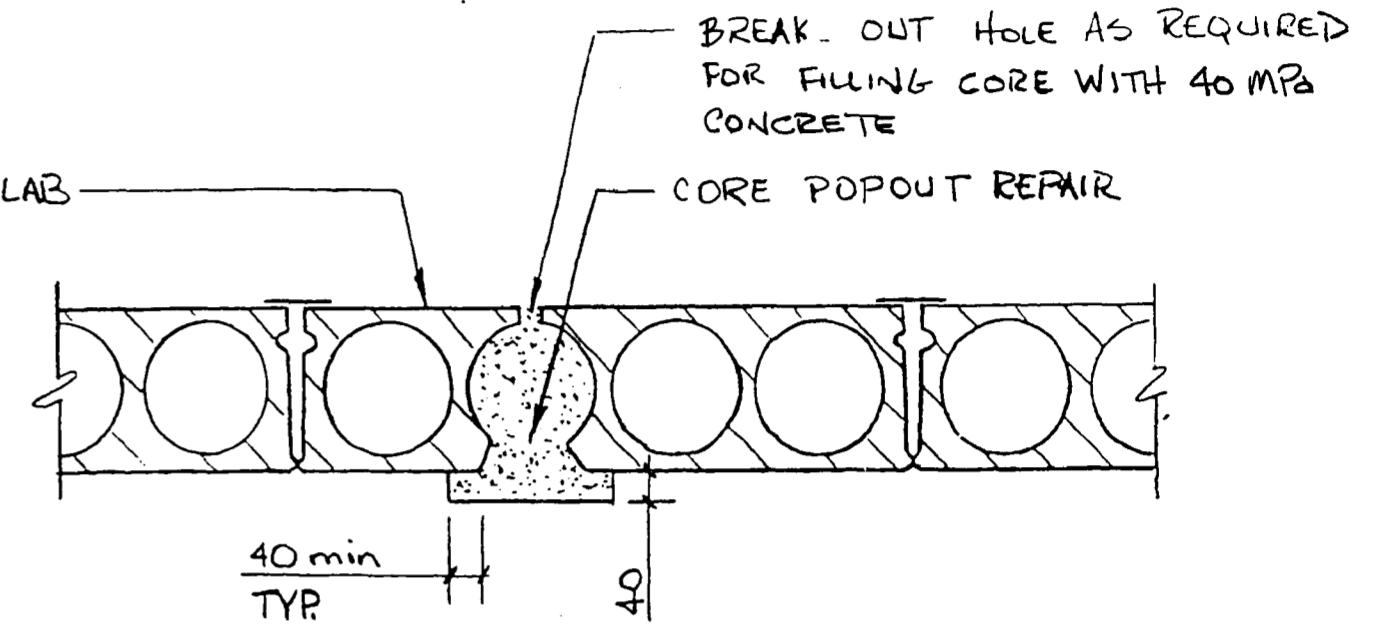
UMA Engineering Ltd.
Engineers & Planners

1479 Buffalo Place, Winnipeg, Manitoba, Canada R3T 1L7

CITY OF WINNIPEG	
WILKES AVE RESERVOIR, PHASE II	
TITLE: TYPICAL HOLLOWCORE SPALL REPAIR	
JOB No. 41.13.0265.259.02	DATE: 1992.04.24
DRAWN: A.M.U.	DWG. No. SD-17
CHECKED: S.B.B.	

BREAK-OUT HOLE AS REQUIRED
FOR FILLING CORE WITH 40 MPa
CONCRETE

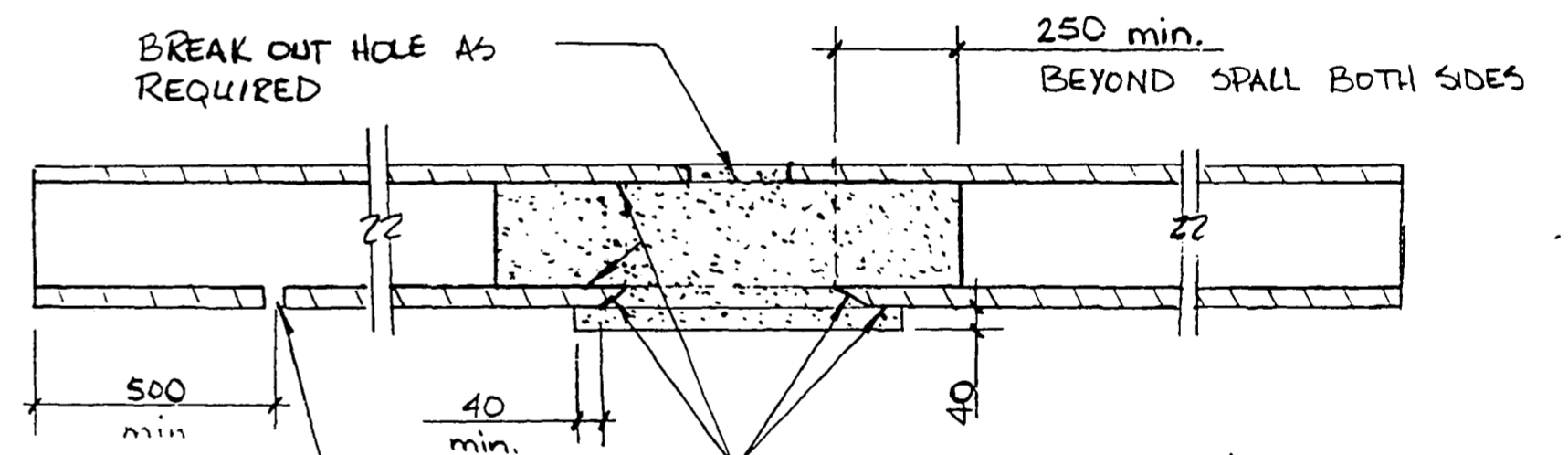
EXIST HOLLOWCORE SLAB



CORE POPOUT REPAIR

TRANSVERSE SECTION

BREAK OUT HOLE AS
REQUIRED



250 min.
BEYOND SPALL BOTH SIDES

DRILL 20 Ø HOLE
THROUGH Ø OF REPAIRED CORE
BOTH ENDS

SANDBLAST CLEAN & APPLY BONDING
AGENT TO ALL SURFACES OF
EXISTING HOLLOWCORE IN CONTACT
WITH REPAIR CONCRETE.

LONGITUDINAL SECTION

FILE # RE 10380

B-639