

**CONSTRUCTION SEQUENCE**

- BREAK INTO CORE - HOLE SPACING: 1200 O/C MAXIMUM
- CLEAN CORE
- INSTALL PLYWOOD PLUGS
- INSTALL REINF. BAR ON HIGH CHAIRS
- PUMP 40 mPa CONCRETE TO COMPLETELY FILL CORE & BREAK-INS

**RECORD DRAWING**

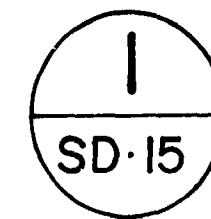
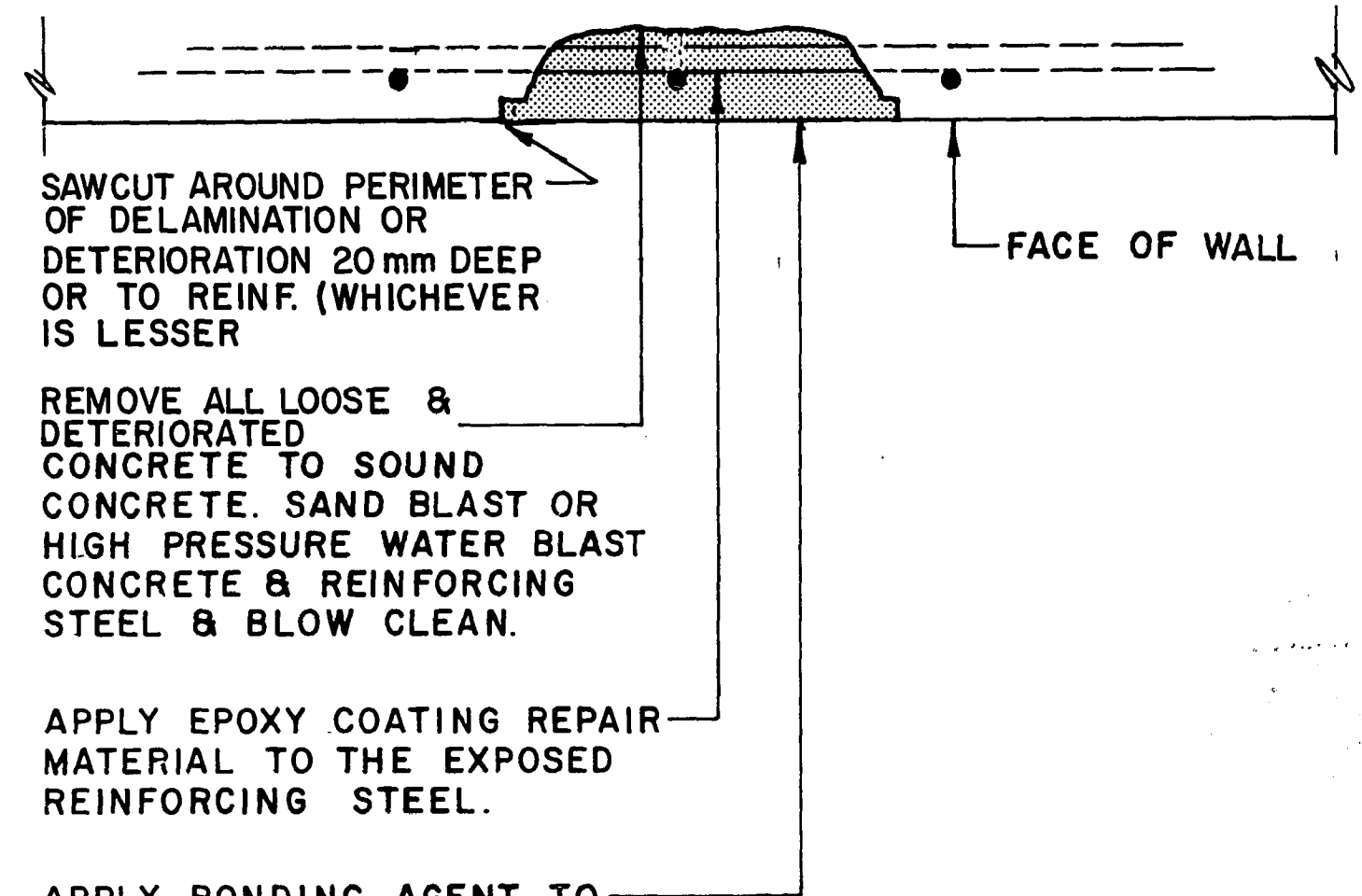
TO RECORD DRAWING 11/92  
P.D. NO. 91-249



UMA Engineering Ltd.  
Engineers & Planners

1479 Buffalo Place, Winnipeg, Manitoba, Canada R3T 1L7

CITY OF WINNIPEG	
WILKES AVE. RESERVOIR, PHASE II	
TITLE: HOLLOW CORE CRACK REPAIRS	
JOB No. 41-13-0265-259-02	DATE: 91-10-25
DRAWN: J.C.	DWG. No. SD-16
CHECKED: J.R.C.	



**DETAIL**

REPAIRS TO EXIST. WALLS EXTERIOR FACE BELOW GRADE  
1:20

**RECORD DRAWING**

*FILE # RE 10377*  
TO RECORD DRAWING 11/92  
P.D. NO. 91-249



UMA Engineering Ltd.  
Engineers & Planners

1479 Buffalo Place, Winnipeg, Manitoba, Canada R3T 1L7

CITY OF WINNIPEG	
WILKES AVE. RESERVOIR, PHASE II	
TITLE: WALL REPAIR DETAIL	
JOB No. 41-13-0265-259-02	DATE: 91-10-25
DRAWN: J.C.	DWG. No. SD-15
CHECKED: J.R.C.	

8-638