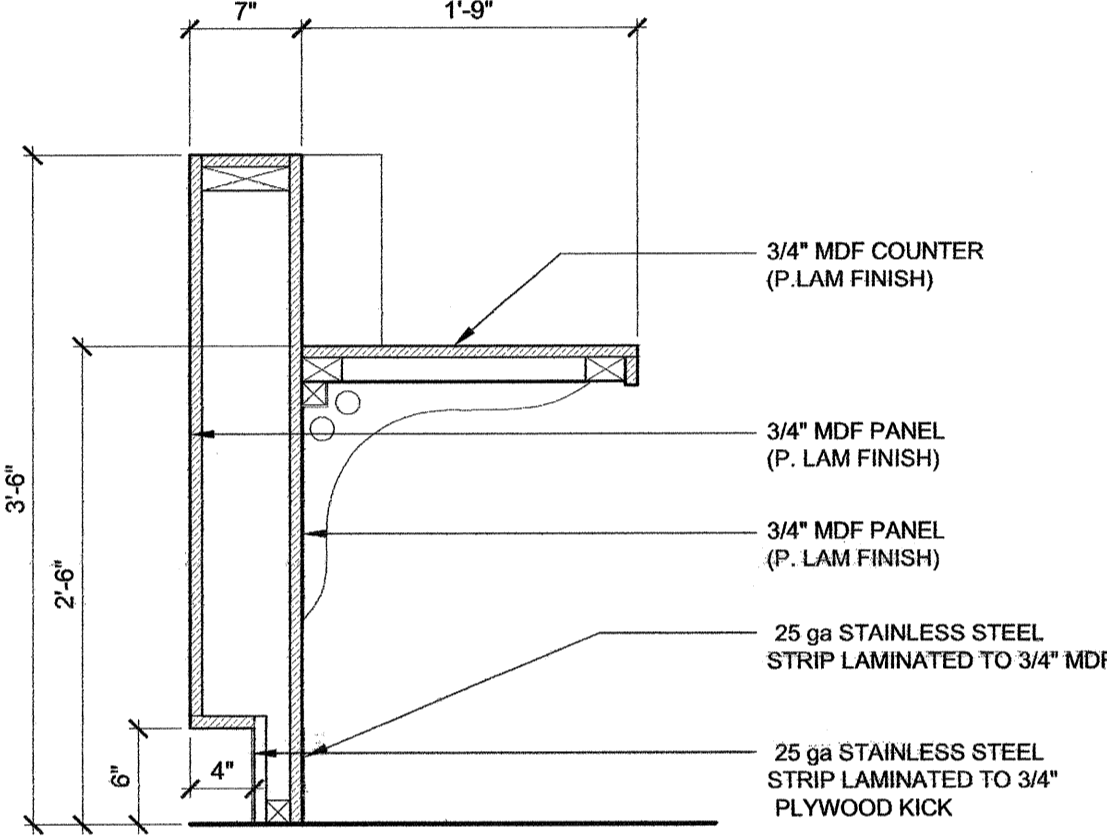
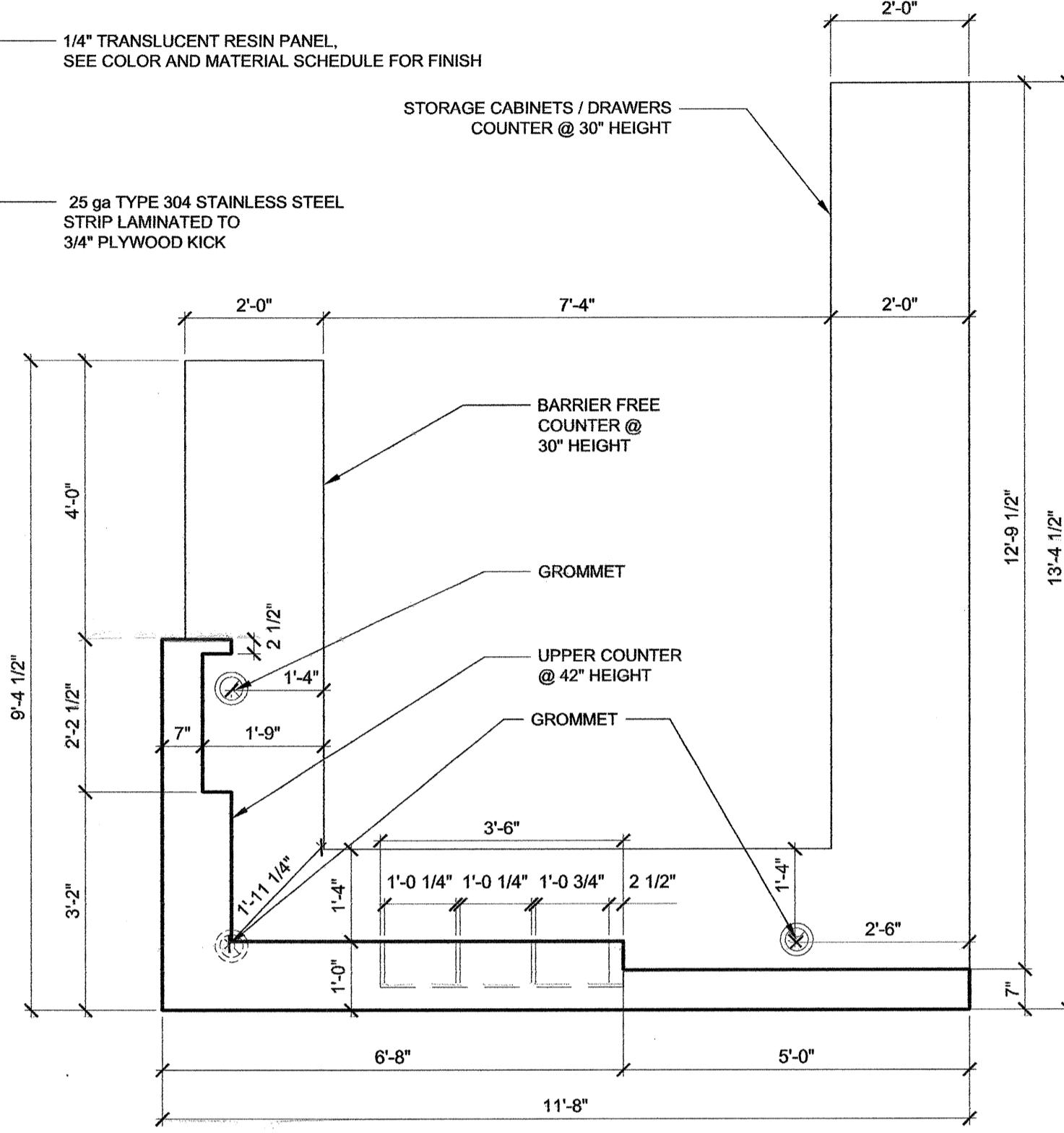


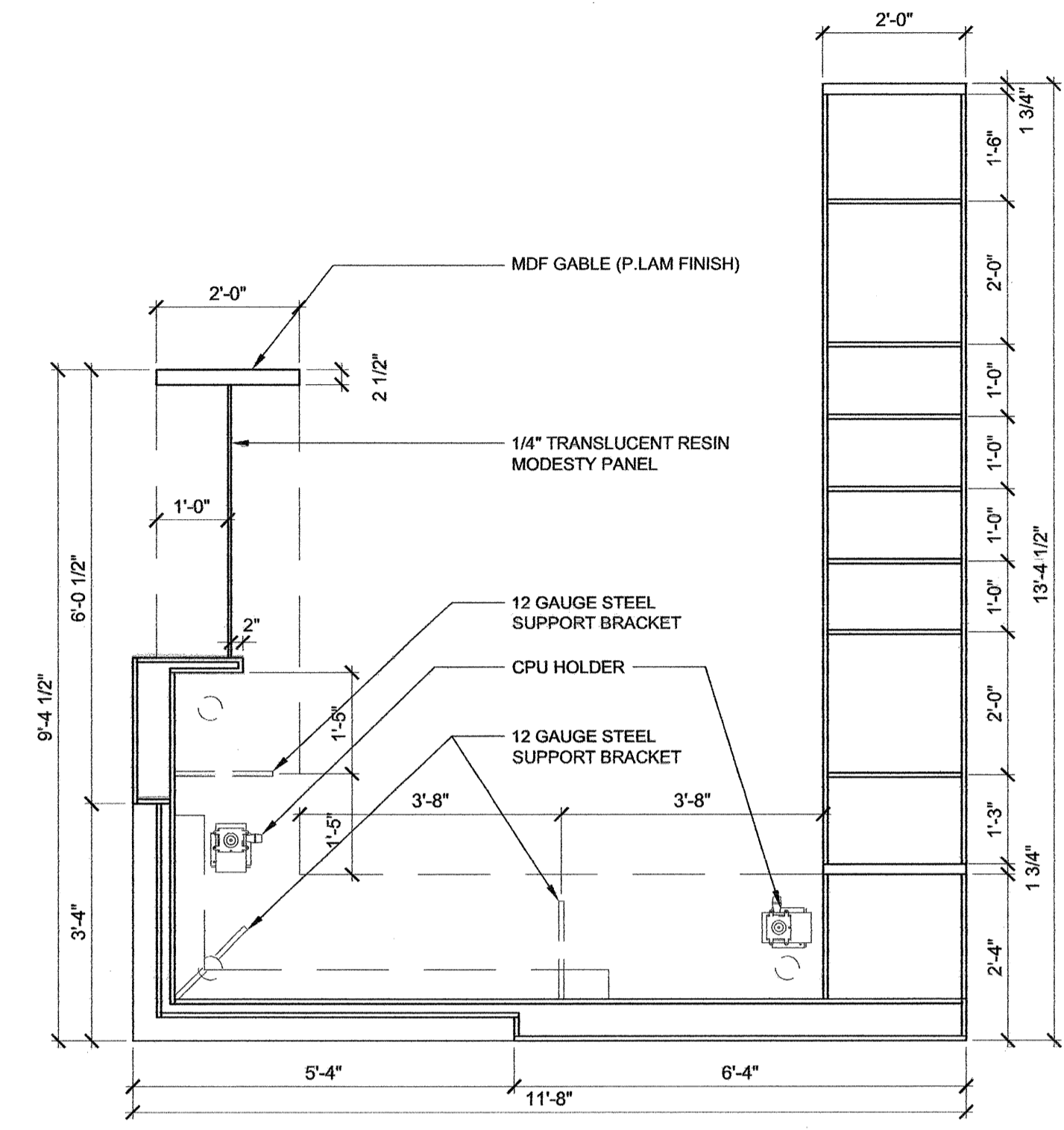
1 RECEPTION DESK VIEW
A-505 Scale 1" = 1'-0"



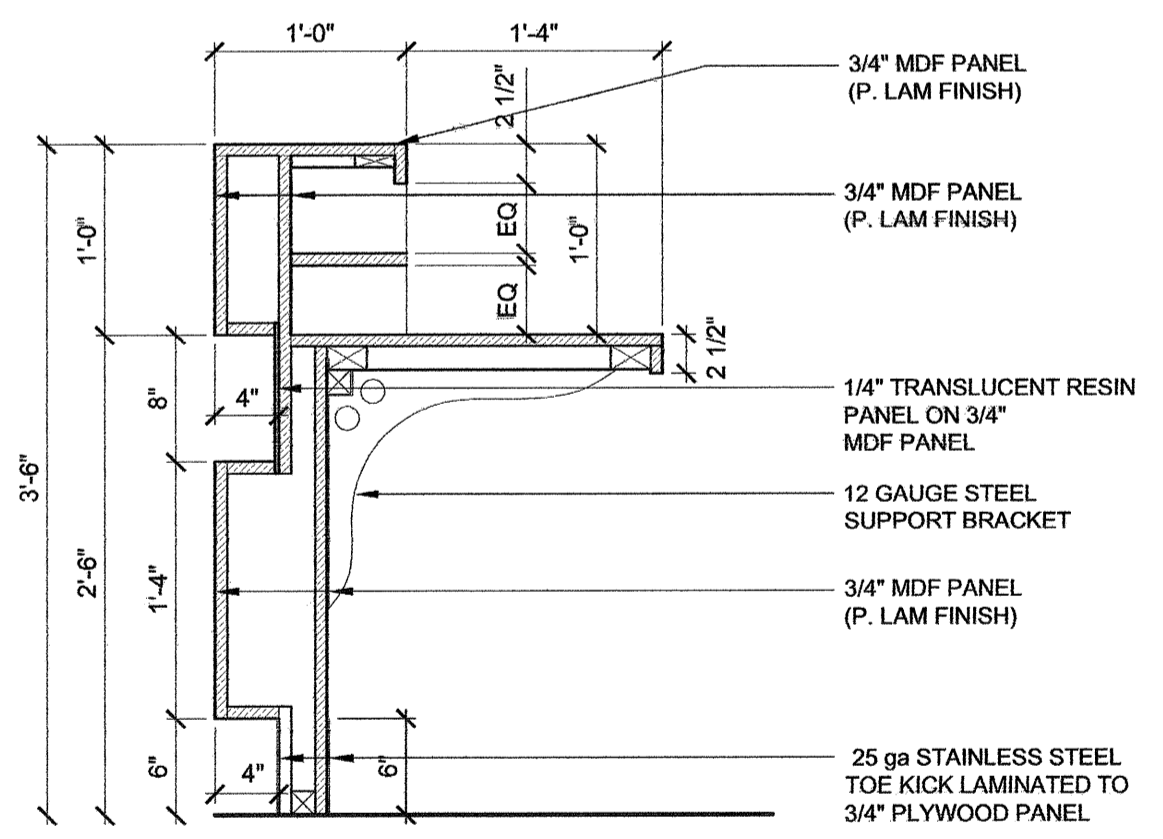
4 RECEPTION DESK
A-505 Scale 1" = 1'-0"



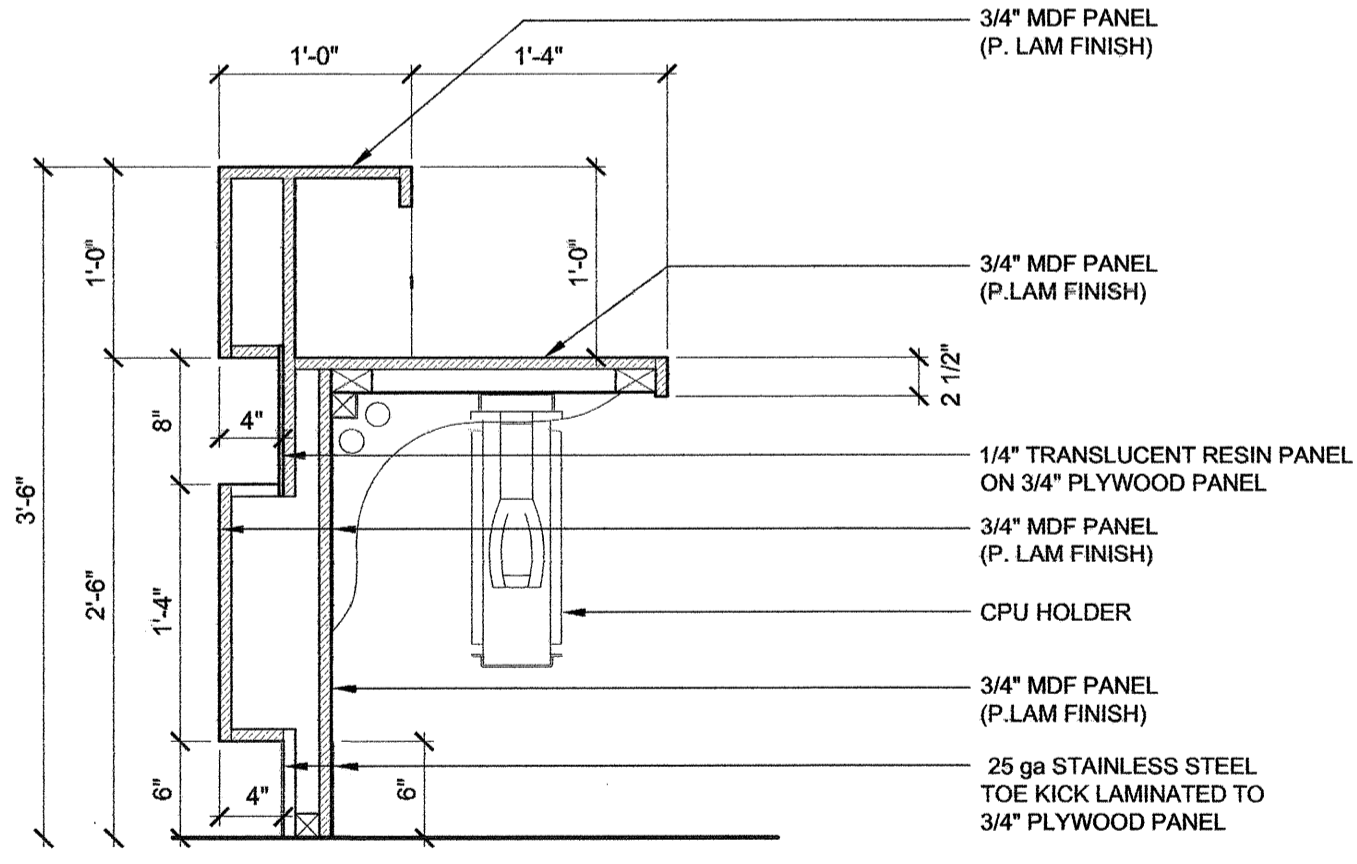
2 RECEPTION DESK PLAN
A-505 Scale 1" = 1'-0"



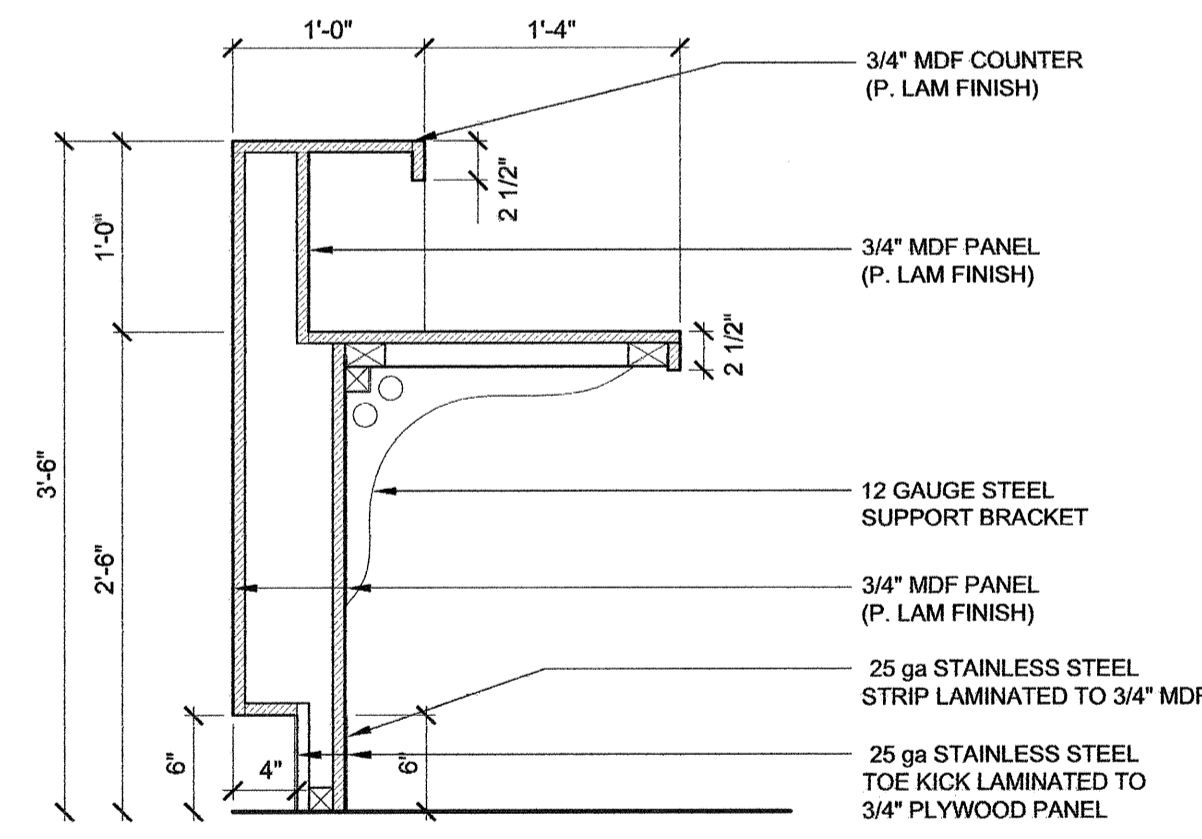
3 RECEPTION DESK PLAN
A-505 Scale 1" = 1'-0"



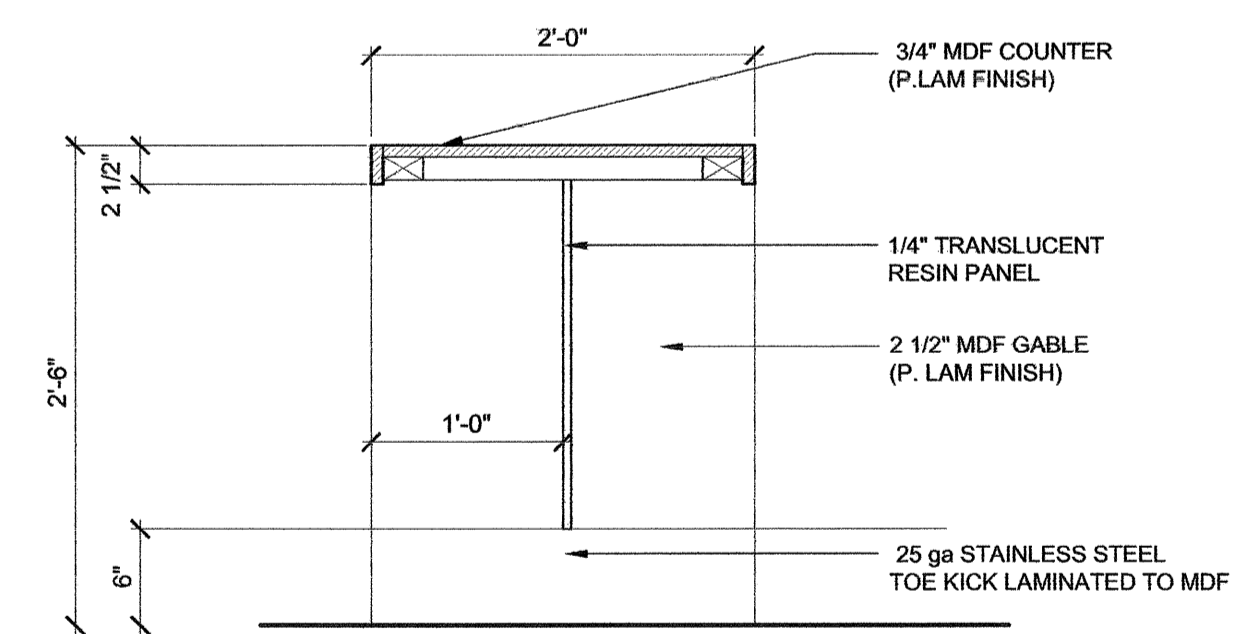
5 RECEPTION DESK
A-505 Scale 1" = 1'-0"



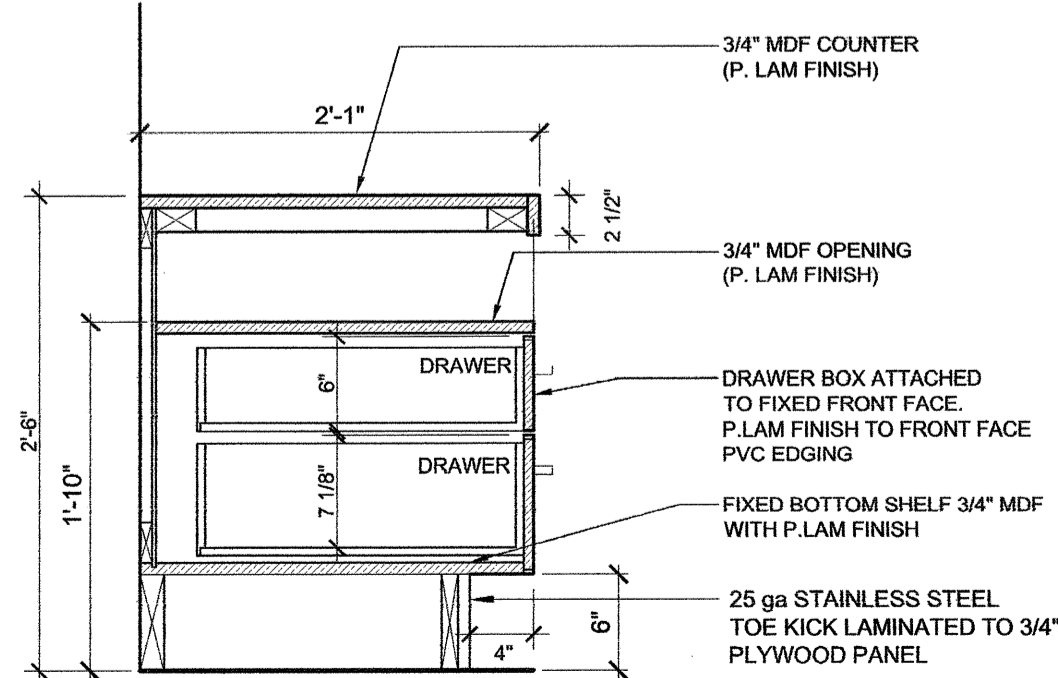
6 RECEPTION DESK
A-505 Scale 1" = 1'-0"



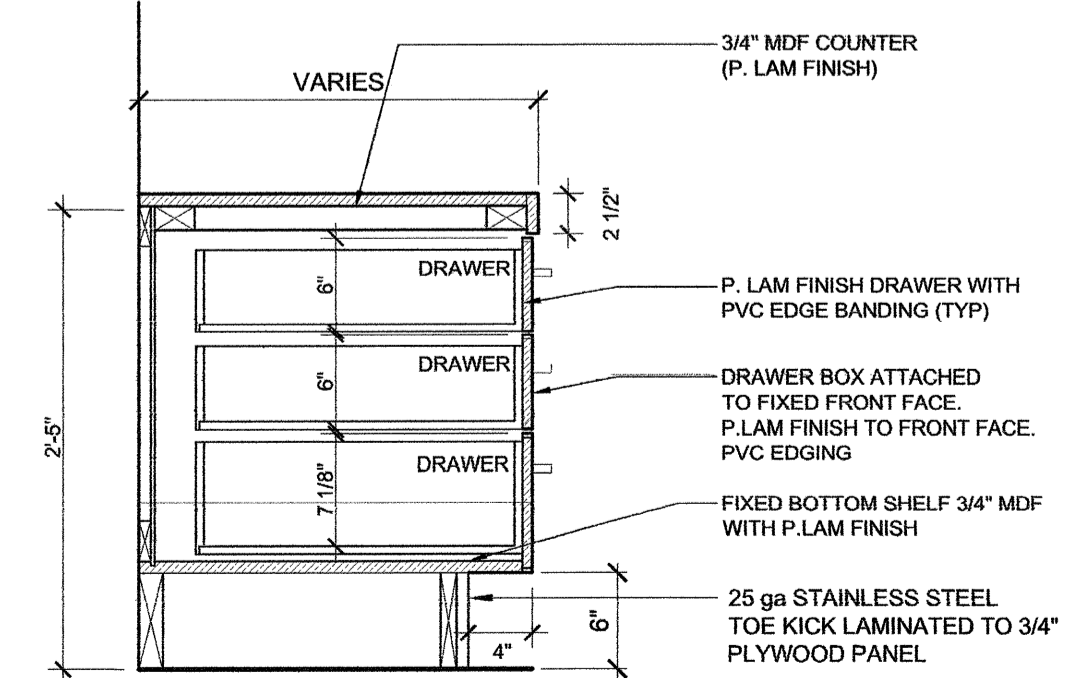
7 RECEPTION DESK
A-505 Scale 1" = 1'-0"



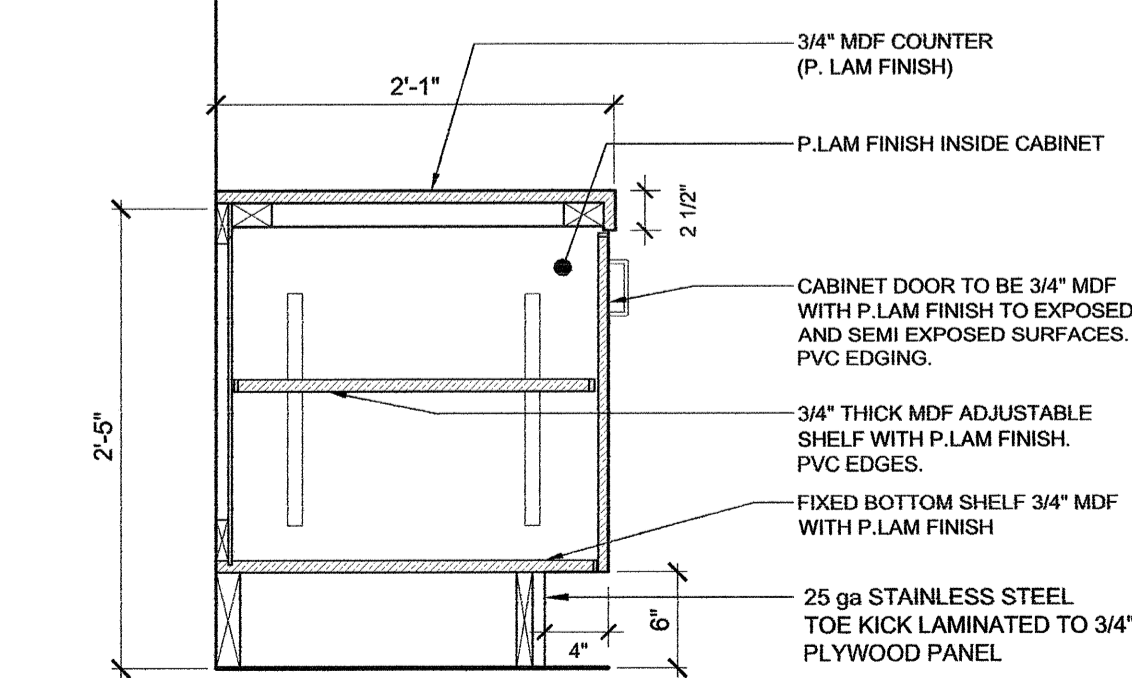
8 RECEPTION DESK
A-505 Scale 1" = 1'-0"



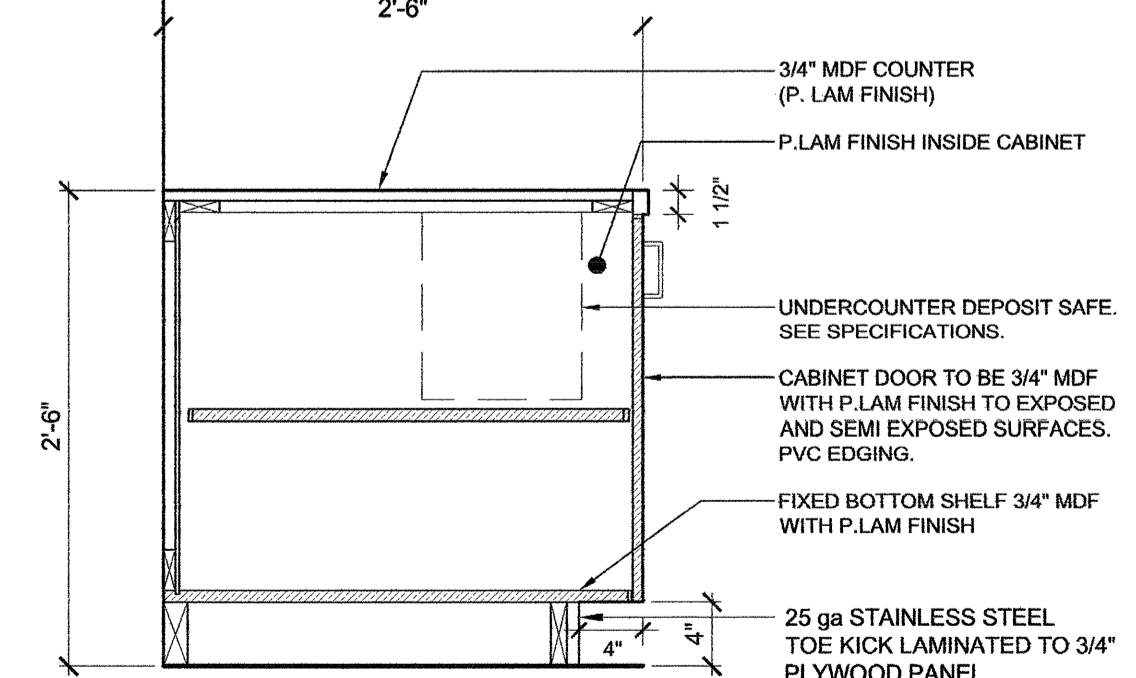
9 RECEPTION DESK
A-505 Scale 1" = 1'-0"



10 RECEPTION DESK
A-505 Scale 1" = 1'-0"



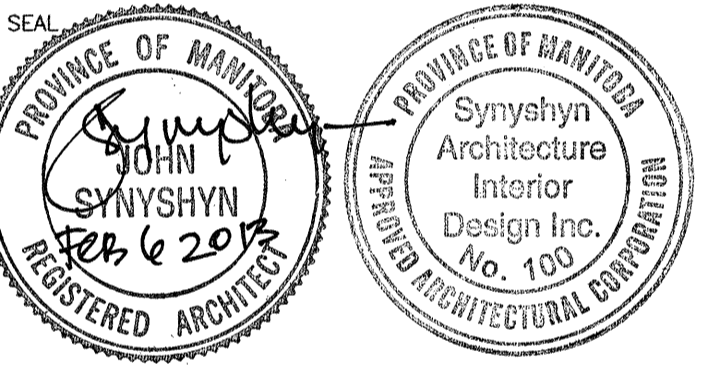
11 RECEPTION DESK
A-505 Scale 1" = 1'-0"



12 SAFE CABINET
A-505 Scale 1" = 1'-0"

ISSUED FOR

0 TENDER



ARCHITECT / PRIME CONSULTANT
SYNYSHYN
ARCHITECTURE + INTERIOR DESIGN INC.
MANITOBA • ALBERTA
T: 204.947-1100 F: 204.956-5742
603-63 Albert Street info@synyshyn.com
Winnipeg, Manitoba
R3B 1G4 Canada www.synyshyn.com

ENGINEERING CONSULTANT
KGS GROUP
865 Waverley Street Winnipeg, Manitoba
R3T 2P4
T 204.886.1209
F 204.886.0754

ENGINEERING CONSULTANT
CROSIER KILGOUR & PARTNERS Ltd.
300-275 Carlton Street Winnipeg, Manitoba
R3C 5R6 Canada
T 204.943.7501
F 204.943.7507

OWNER
CITY OF WINNIPEG
Planning, Property and Development Department
Municipal Accommodations Division
300-65 Garry Street Winnipeg, Manitoba
R3C 4K4 Canada

PROJECT TITLE
MARGARET GRANT POOL
INTERIOR RENOVATIONS
BID OPPORTUNITY
NO.12-2013

685 DALHOUSIE DRIVE

DRAWING TITLE

RECEPTION DESK
DETAILS

DESIGNED BY JS DRAWN BY LB

ISSUE DATE: 01.31.2013 REVISION No.

PROJECT No. 12904 DRAWING No. **A-505**