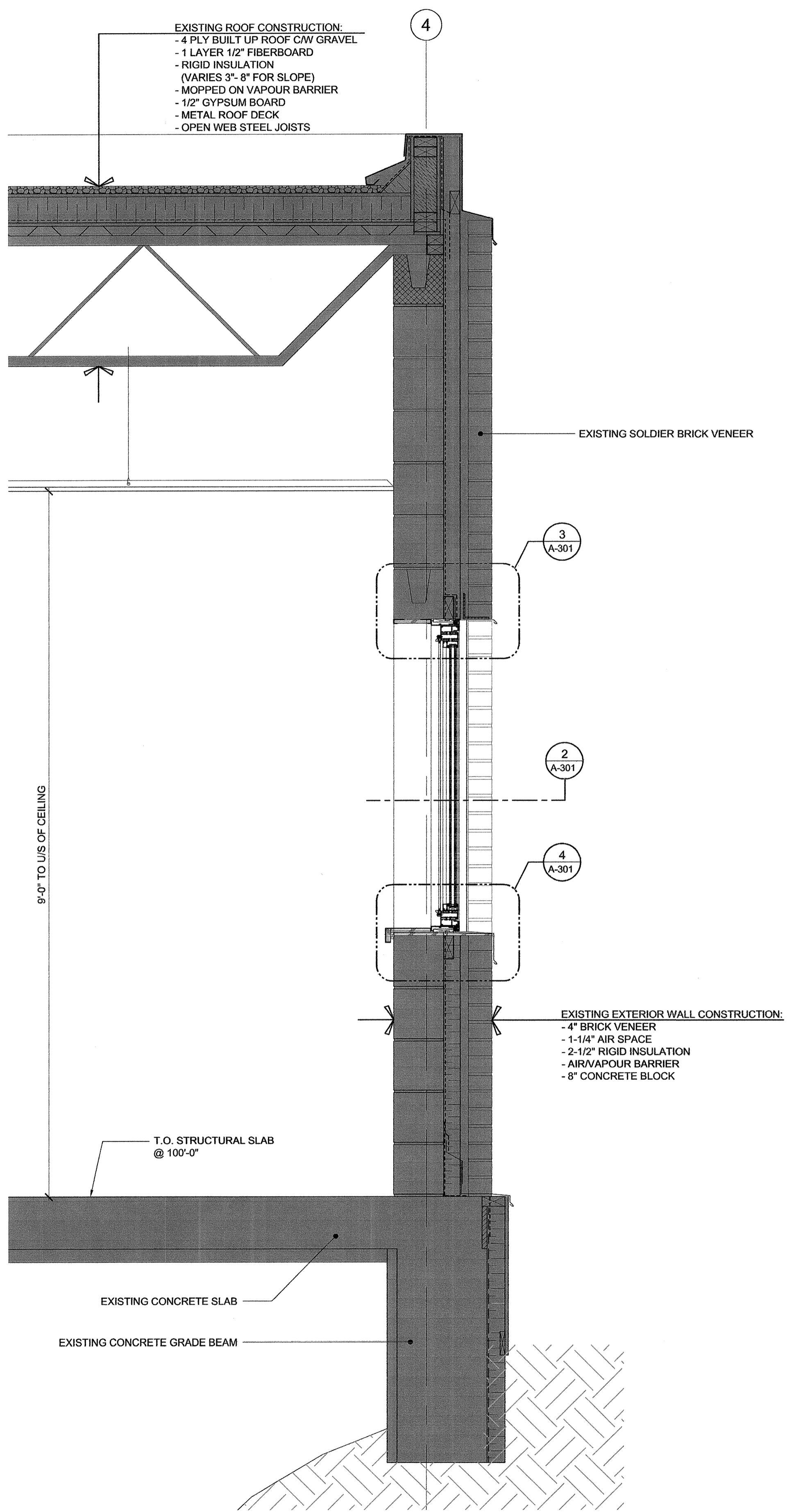
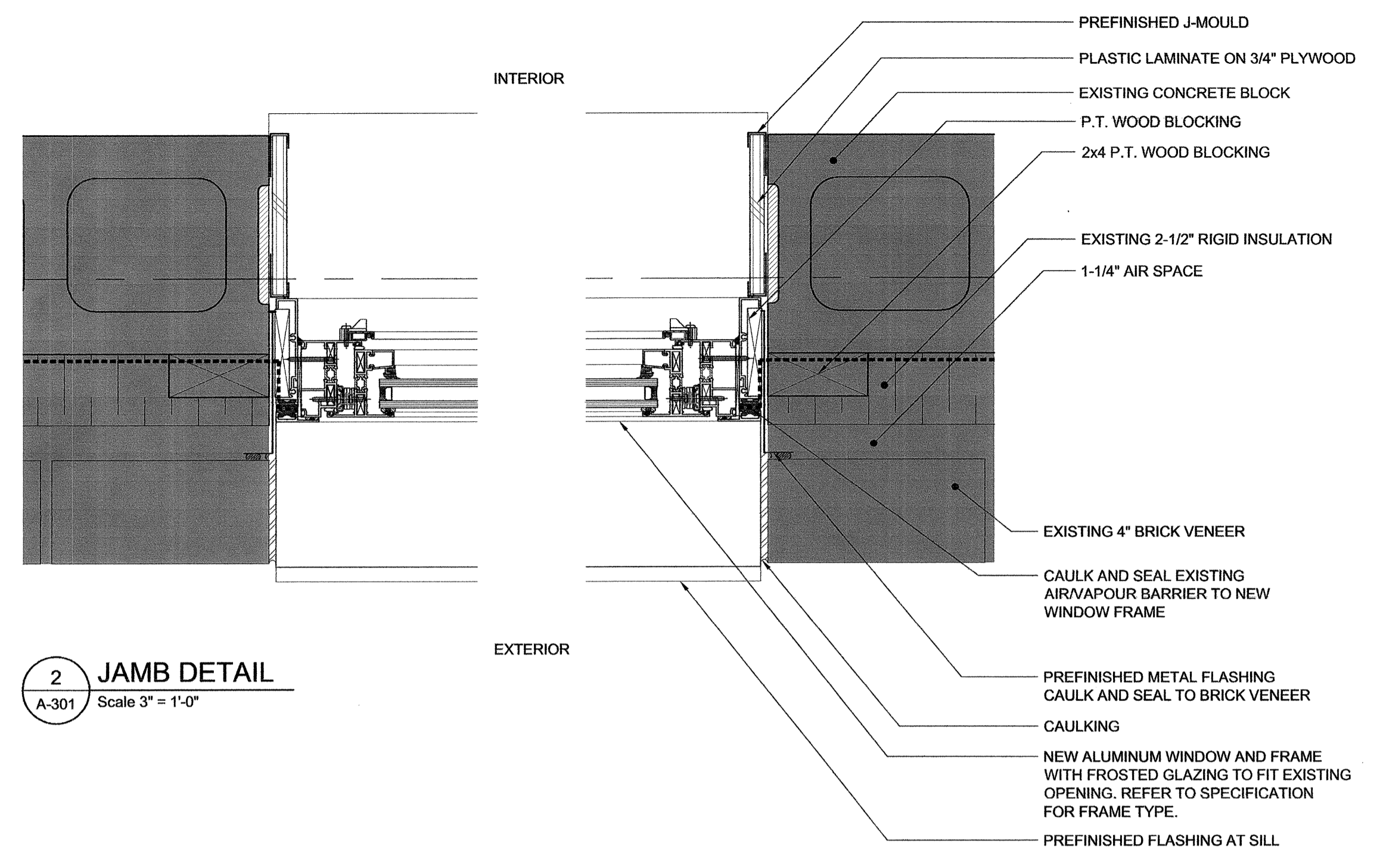


Ownership of Documents:
 Drawings and specifications as instruments of service are and shall remain the property of the Architect whether the project for which they are made is executed or not. They are not to be used by the owner on other projects or extensions to this project except by agreement in writing and with appropriate compensation to the Architect.

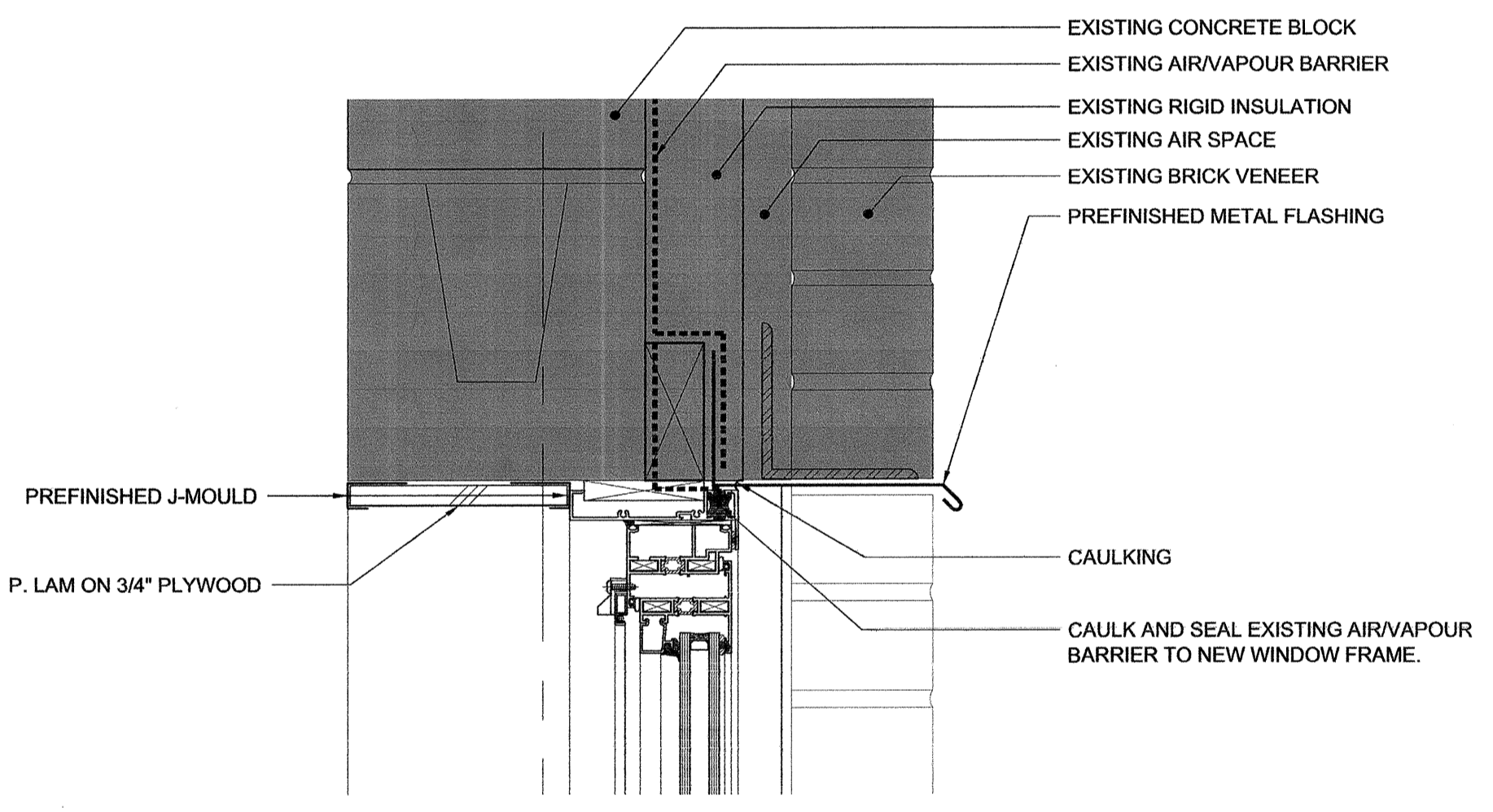
This drawing shall not be scaled. Follow given dimensions only.



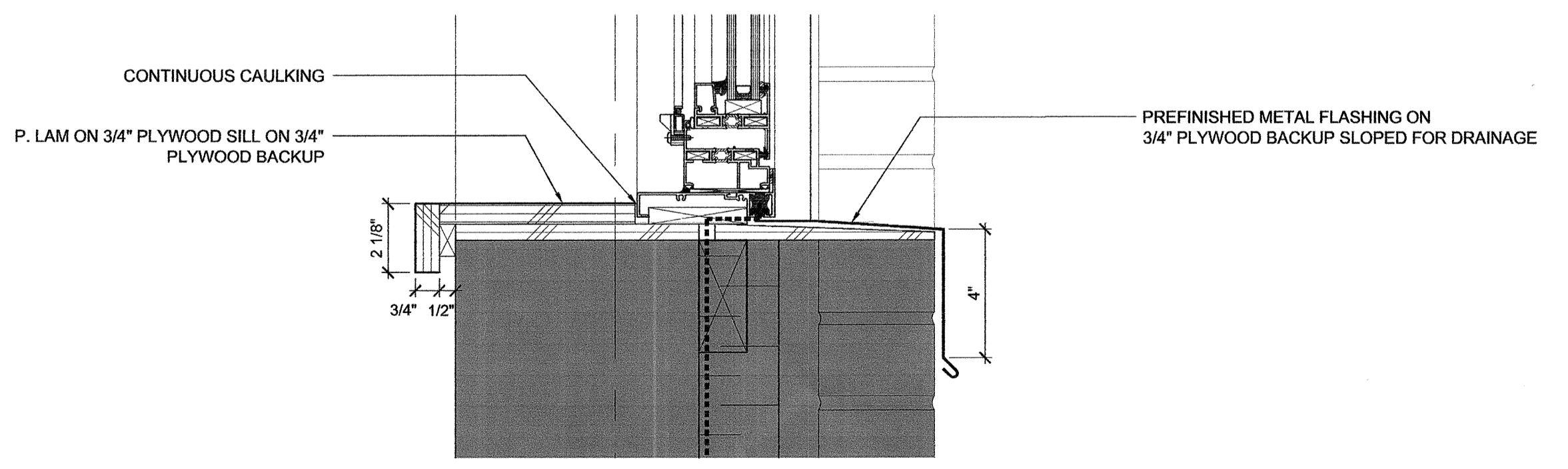
1 WALL SECTION
 A-301 Scale 1" = 1'-0"



2 JAMB DETAIL
 A-301 Scale 3" = 1'-0"



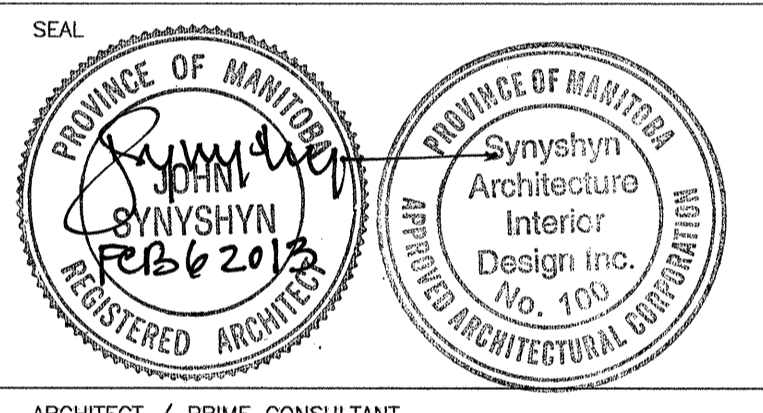
3 HEAD DETAIL
 A-301 Scale 3" = 1'-0"



4 SILL DETAIL
 A-301 Scale 3" = 1'-0"

ISSUED FOR

0 TENDER



ARCHITECT / PRIME CONSULTANT
SYNSHYHN
 ARCHITECTURE + INTERIOR DESIGN INC.
 MANITOBA • ALBERTA
 T: 204.947-1100
 F: 204.956-5742
 603-63 Albert Street Winnipeg, Manitoba
 R3B 1G4 Canada info@synshyn.com www.synshyn.com

ENGINEERING CONSULTANT
KGS GROUP
 865 Waverley Street Winnipeg, Manitoba
 R3T 5R4 Canada
 T: 204.886.1209
 F: 204.886.0754

ENGINEERING CONSULTANT
CROSIER KILGOUR & PARTNERS Ltd.
 300-275 Carlton Street Winnipeg, Manitoba
 R3C 5R6 Canada
 T: 204.943.7501
 F: 204.943.7507

OWNER
CITY OF WINNIPEG
 Planning, Property and Development Department
 Municipal Accommodations Division
 300-65 Garry Street Winnipeg, Manitoba
 R3C 4K4 Canada

PROJECT TITLE
MARGARET GRANT POOL
INTERIOR RENOVATIONS
BID OPPORTUNITY
NO.12-2013
685 DALHOUSIE DRIVE

DRAWING TITLE
SECTIONS AND DETAILS

DESIGNED BY JS DRAWN BY GD

ISSUE DATE 02.06.2013 REVISION No.

PROJECT No. 12904 DRAWING No. **A-301**