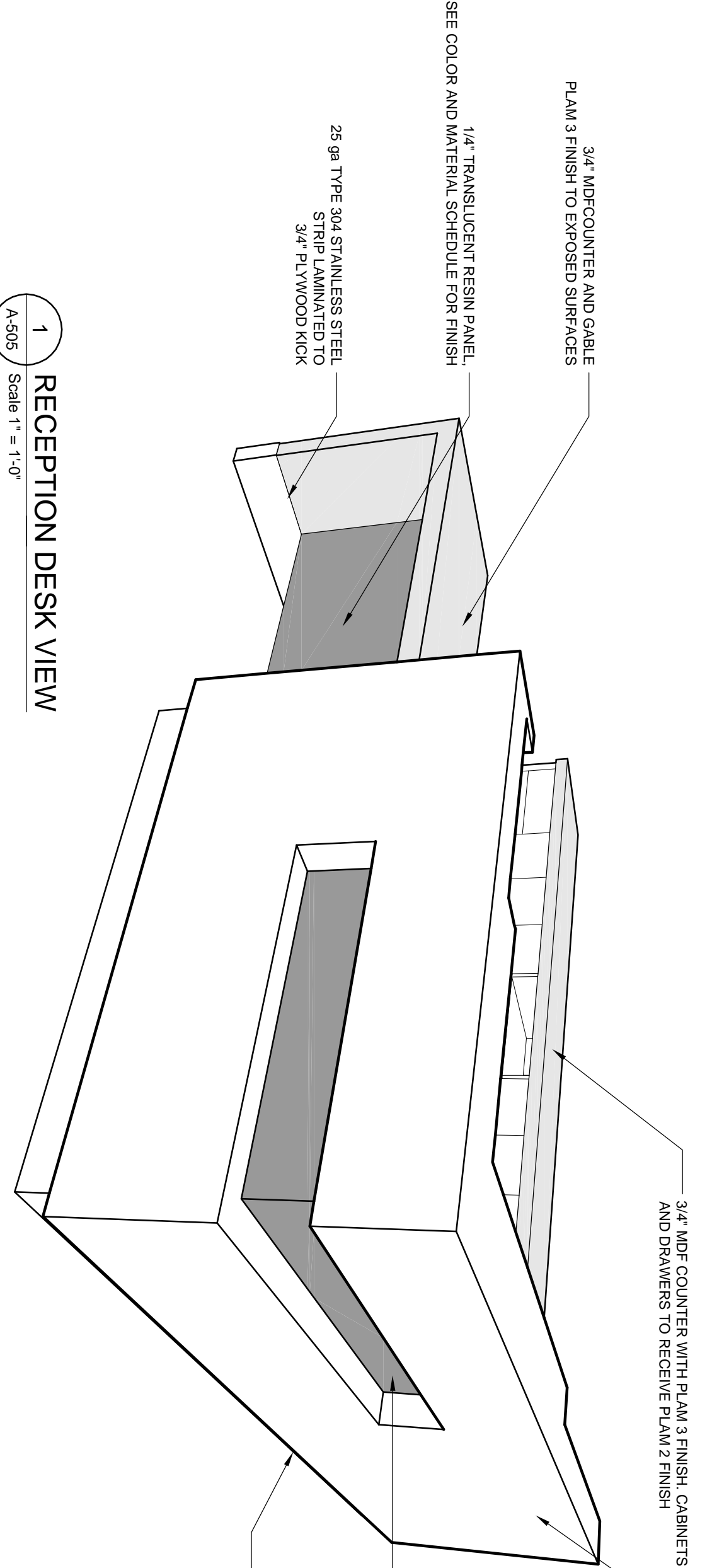
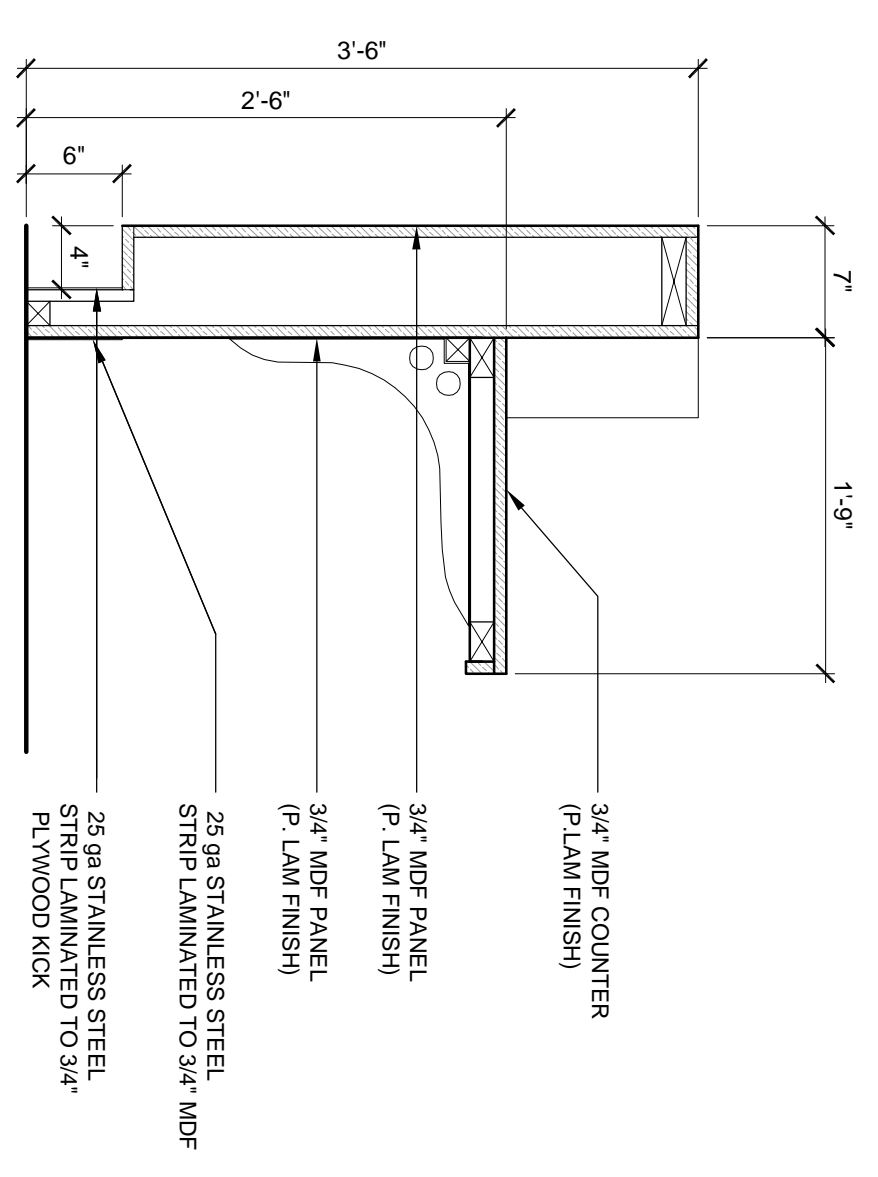


Ownership of Documents:
Drawings and specifications as instruments of service are and shall remain the property of the Architect. They are to be used by the owner on other projects or extensions to this project only with the written consent and with appropriate compensation to the Architect.

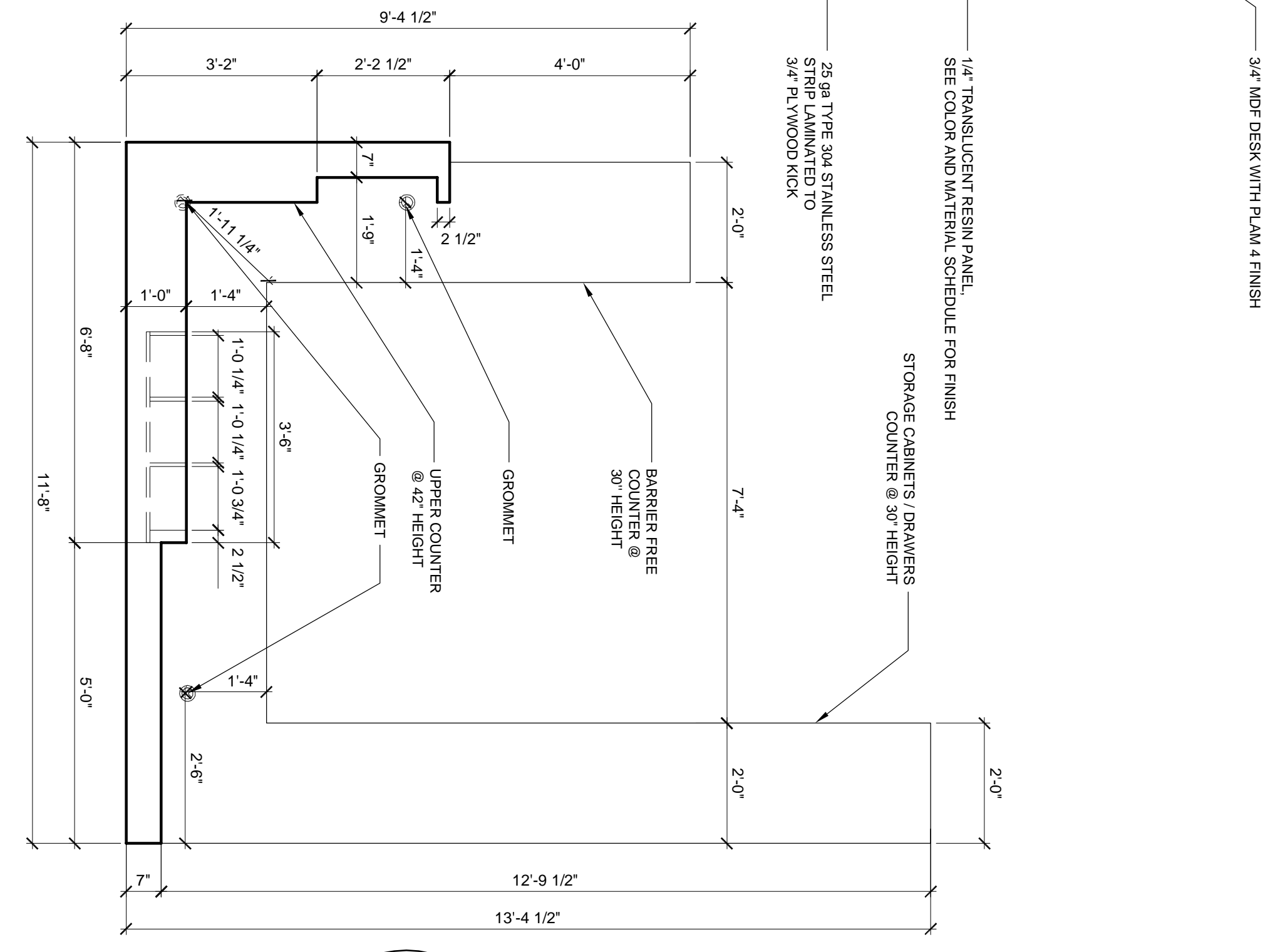
This drawing shall not be scaled. Follow given dimensions only.



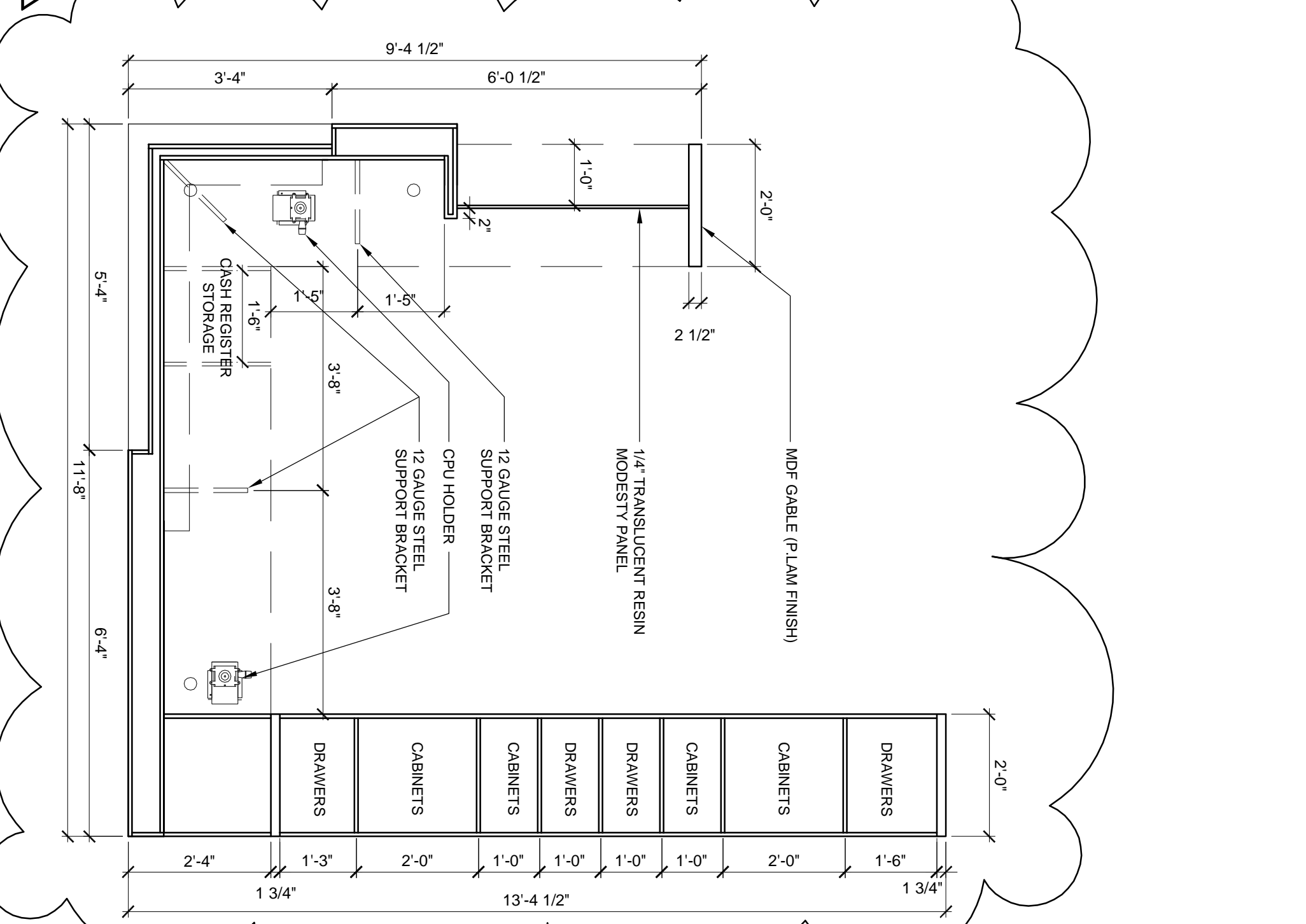
1 RECEPTION DESK VIEW
A-505 / Scale 1" = 1'-0"



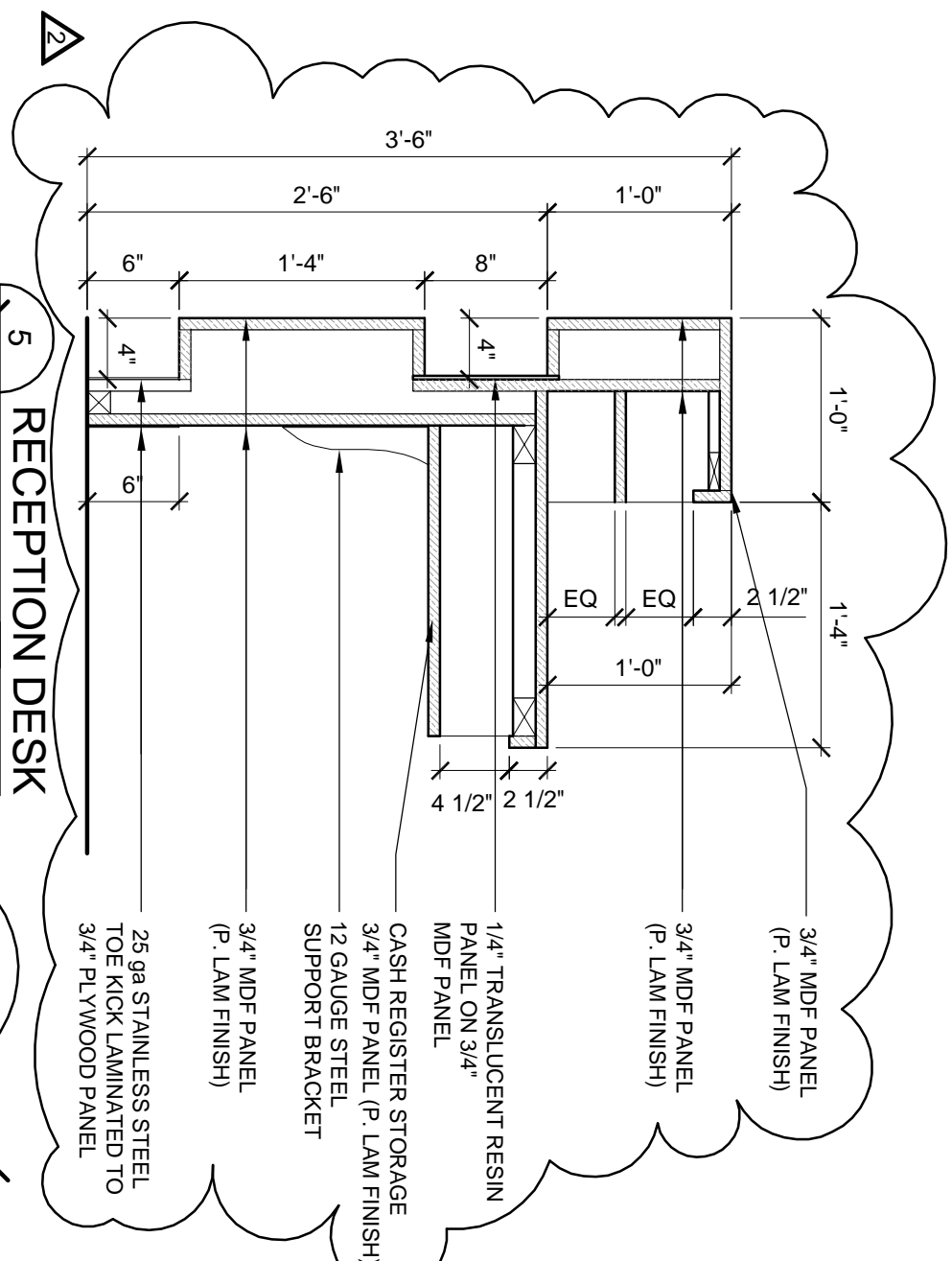
4 RECEPTION DESK
A-505 / Scale 1" = 1'-0"



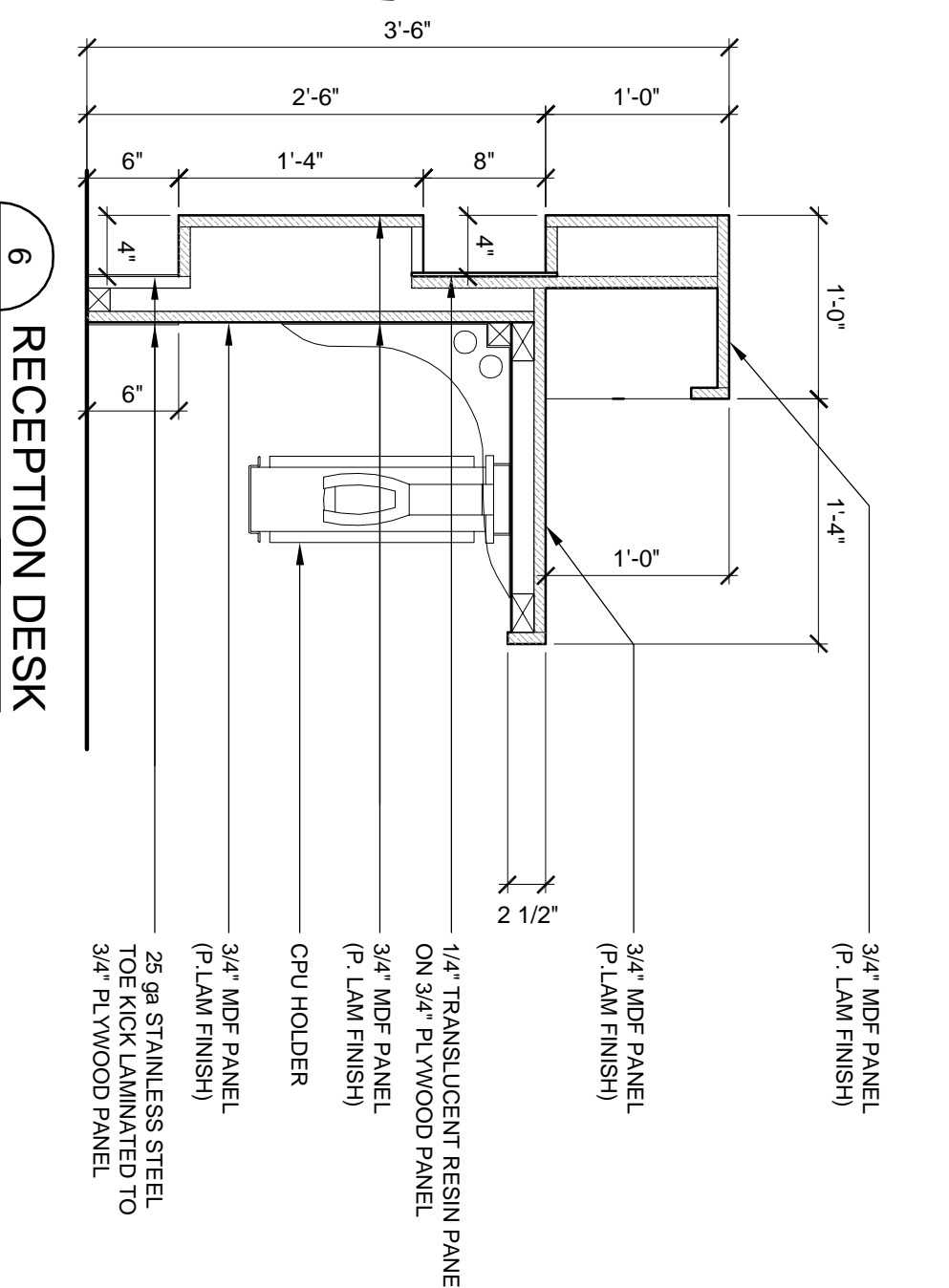
2 RECEPTION DESK PLAN
A-505 / Scale 1" = 1'-0"



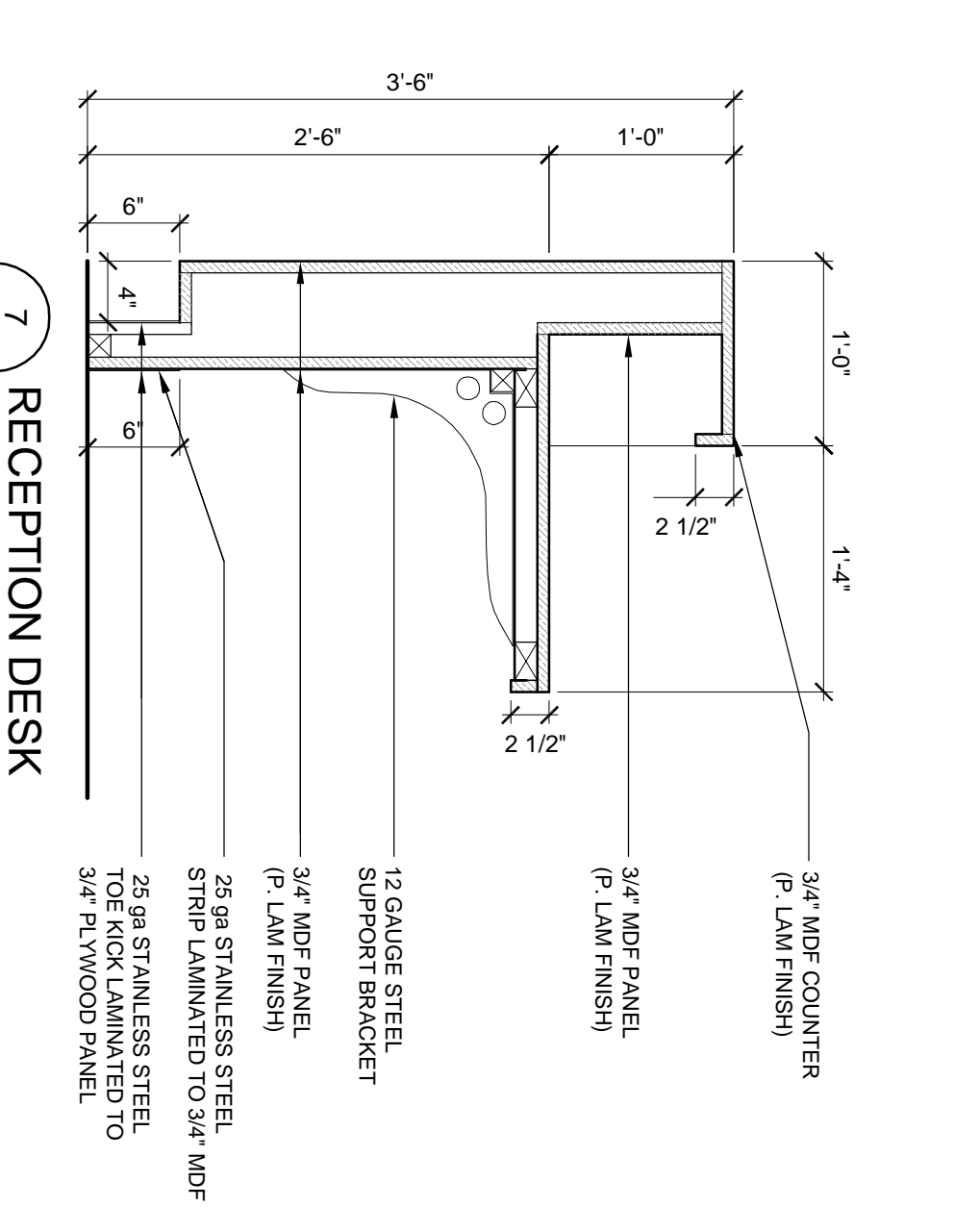
3 RECEPTION DESK PLAN
A-505 / Scale 1" = 1'-0"



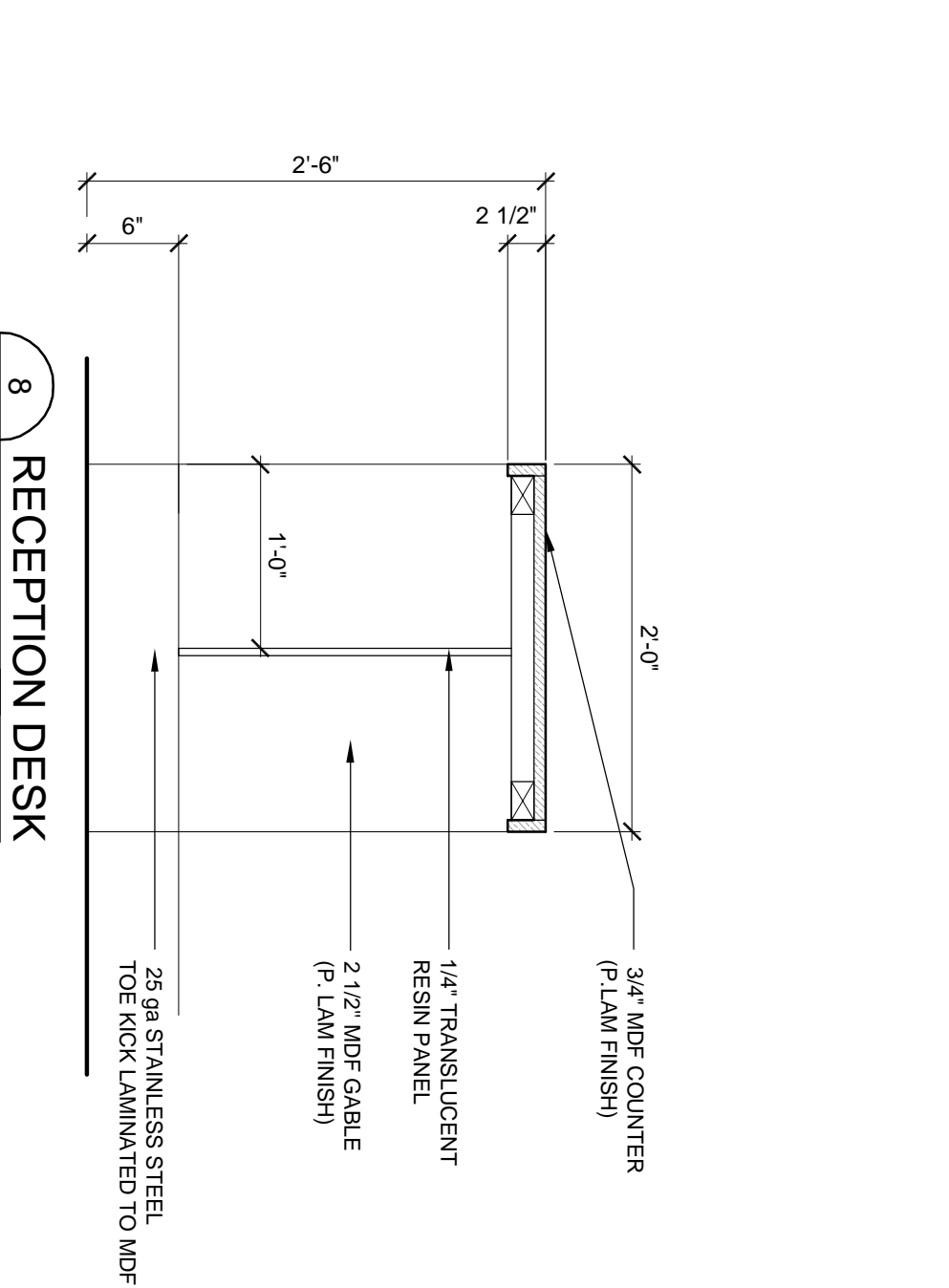
5 RECEPTION DESK
A-505 / Scale 1" = 1'-0"



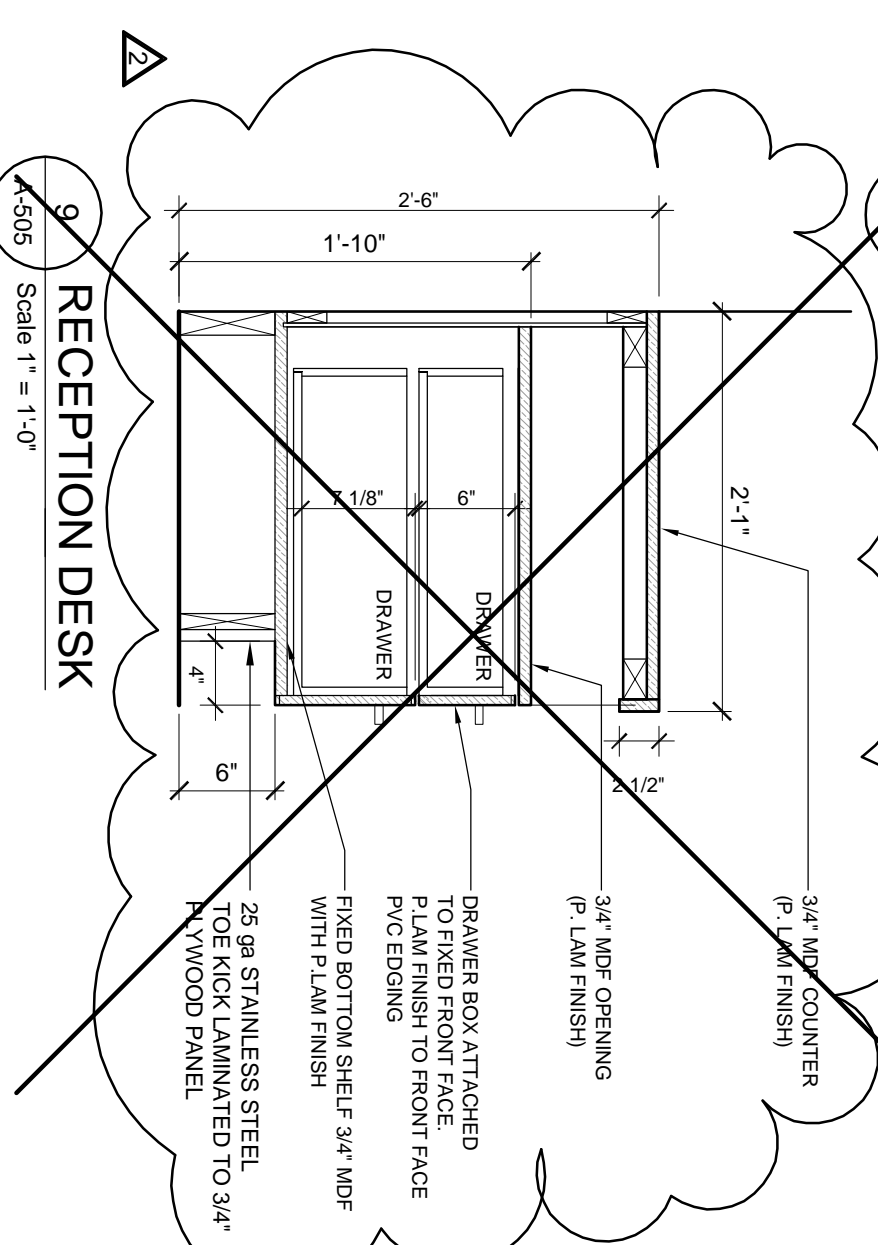
6 RECEPTION DESK
A-505 / Scale 1" = 1'-0"



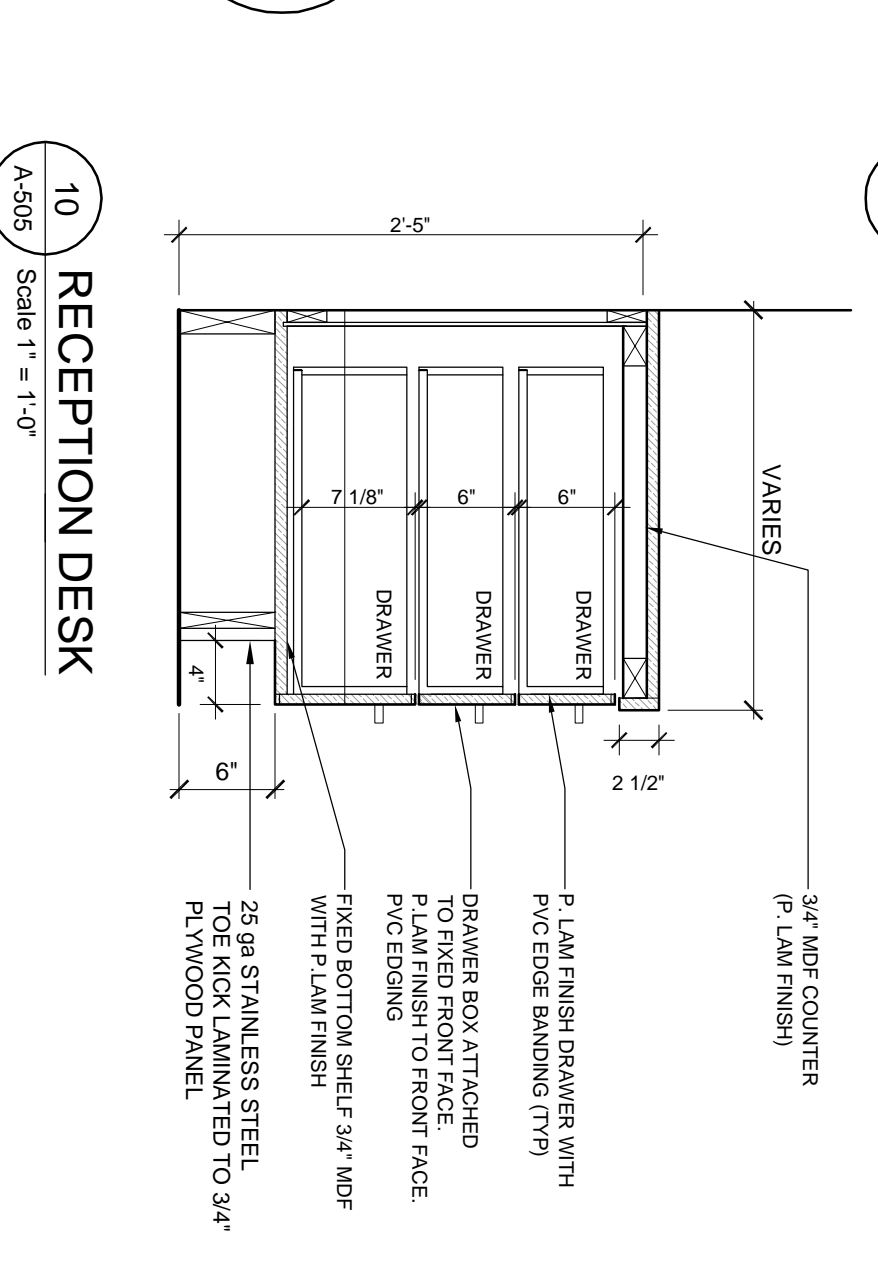
7 RECEPTION DESK
A-505 / Scale 1" = 1'-0"



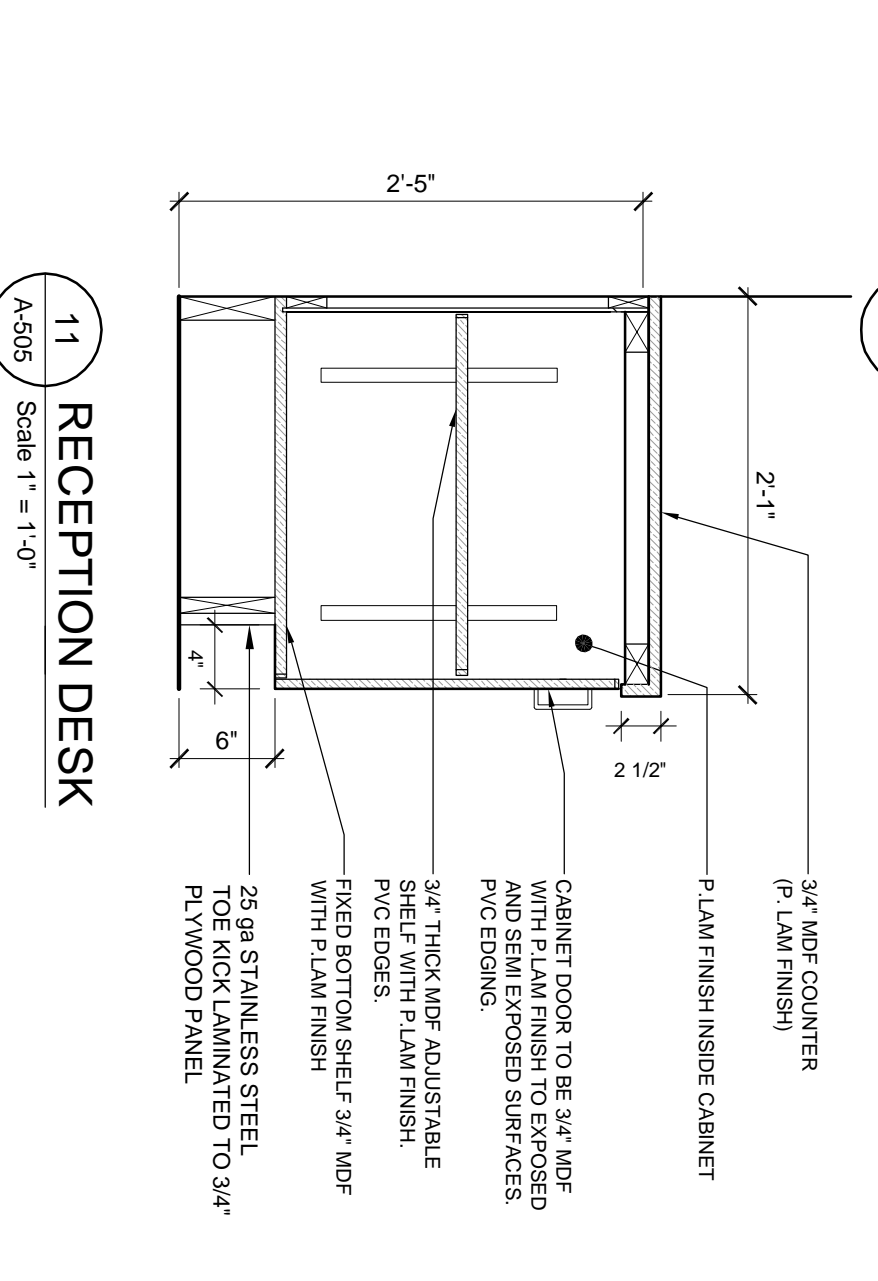
8 RECEPTION DESK
A-505 / Scale 1" = 1'-0"



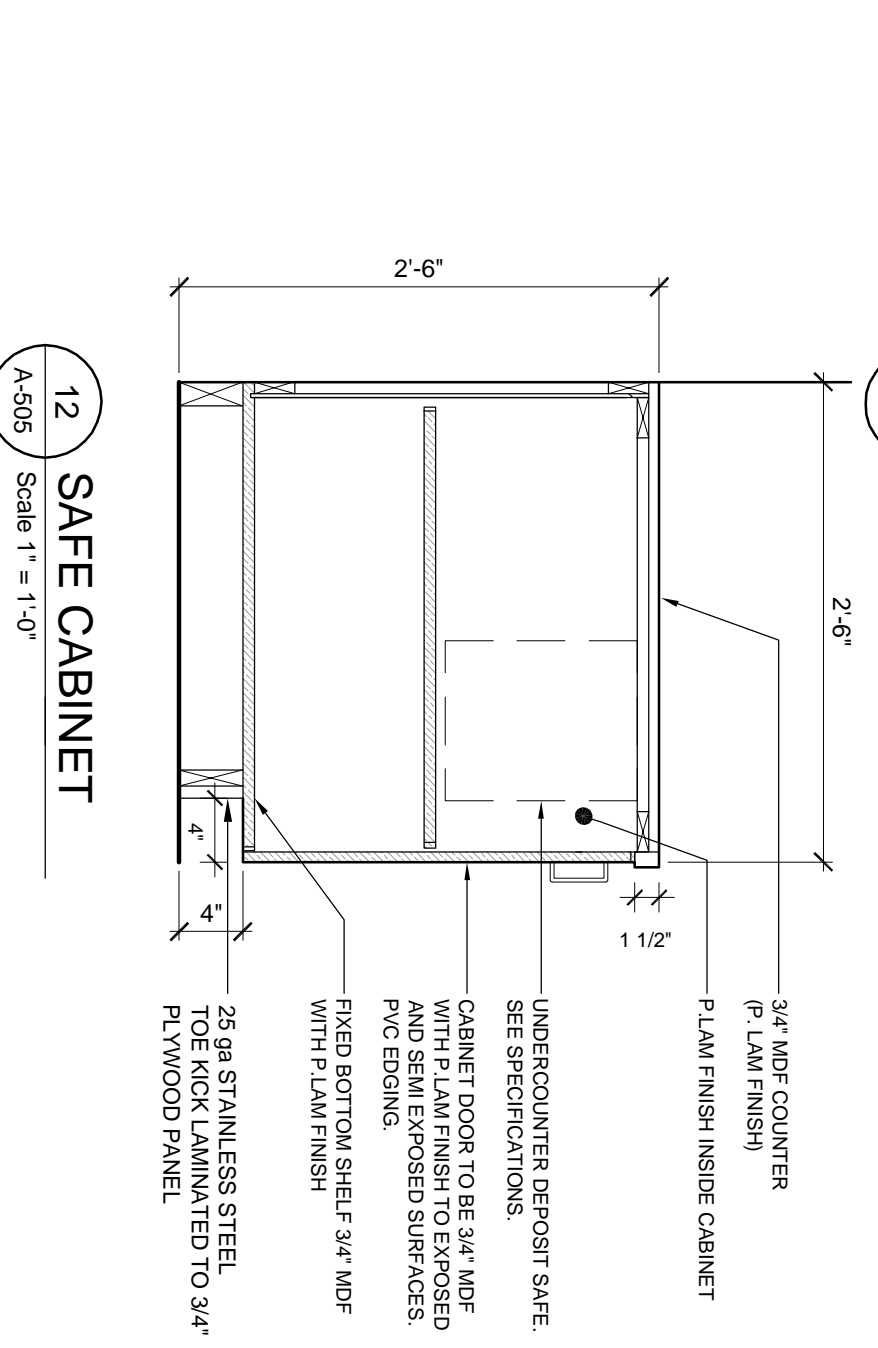
9 RECEPTION DESK
A-505 / Scale 1" = 1'-0"



10 RECEPTION DESK
A-505 / Scale 1" = 1'-0"



11 RECEPTION DESK
A-505 / Scale 1" = 1'-0"



12 SAFE CABINET
A-505 / Scale 1" = 1'-0"

ADDENDUM #

ISSUED FOR
CONSTRUCTION
SEAL

ARCHITECT / PRIME CONSULTANT
SYWYSHYN ARCHITECTURE + INTERIOR DESIGN INC.
MANTOBA ALBERTA
T. 204.947.1100
F. 204.956.5742
info@sywshyn.com
www.sywshyn.com

ENGINEERING CONSULTANT
KGS GROUP
Winnipeg, Manitoba
T. 204.886.1209
F. 204.886.0724
info@kgs.com
www.kgs.com

ENGINEERING CONSULTANT
CROSIER KILGOUR & PARTNERS Ltd.
Winnipeg, Manitoba
300-275 Carlton Street
R2C 6K4
T. 204.943.7577
F. 204.943.7577

OWNER
CITY OF WINNIPEG
Planning, Property and Development Department
300-65 Garry Street
R2C 6K4
Winnipeg, Manitoba
Canada

PROJECT TITLE
MARGARET GRANT POOL INTERIOR RENOVATIONS BID OPPORTUNITY NO.12-2013
685 DALHOUSIE DRIVE

DRAWING TITLE
RECEPTION DESK DETAILS

DESIGNED BY: JS
DRAWN BY: LB

ISSUE DATE: 02.26.2013
REVISION No.: 01
PROJECT No.: 12904
DRAWING No.: **A-505**